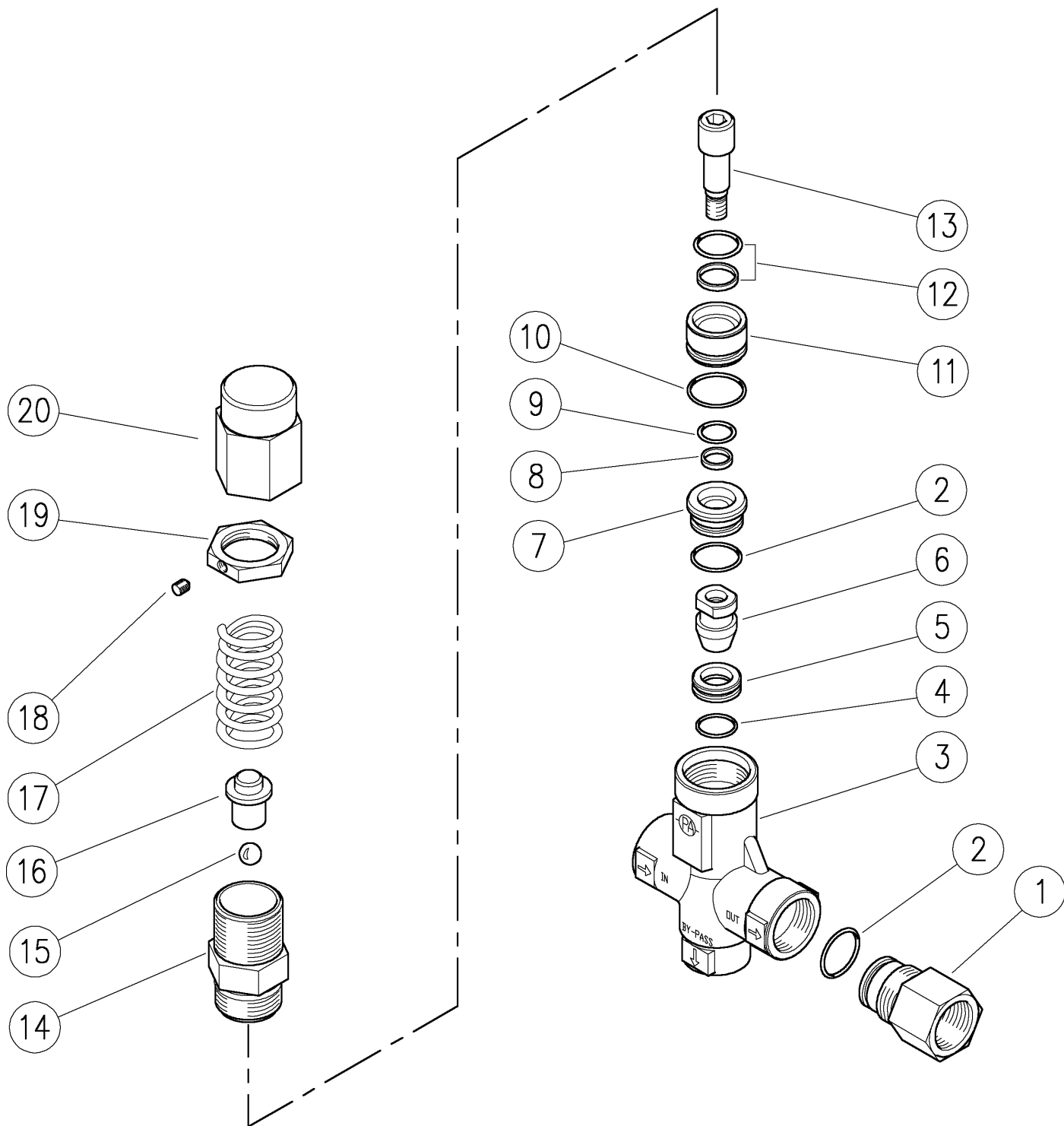


60.1540.00 VS26 Ai316 safety valv. 1/2F Bsp



Pos.	P/N	Description	Q.ty	K1	K2	K3	K4
1	60.1404.60	Shutter coupl., 1/2F Bsp aisi316 Sst.	1				3
2	10.3068.10	O-ring, 1,78x17,17 mm Vi 70	2				10
3	60.1401.60	Housing -VB-VRPP26, 1/2Bsp FF aisi316	1				3
4	10.3066.10	O-ring, 1,78x15,6 mm Vi 70	1				10
5	60.1514.60	Seat 10,8x19mm St.Steel	1				3
6	60.1512.60	Shutter pin, Sst.	1				3
7	60.1410.60	Spacer ring, 10x23,4x10,5mm aisi316 Sst.	1				3
8	10.4022.00	Back-up ring, 10x12x2 mm	1				5
9	10.3059.10	O-ring, 1,78x11,11 mm Vi 70	1				10
10	10.3072.10	O-ring, 1,78x20,35 mm Vi 70	1				10

Pos.	P/N	Description	Q.ty	K1	K2	K3	K4
11	60.1409.60	Spacer ring, 10,3x23,5x17,5mm aisi316	1				3
12	10.2029.00	Stem seal, 14x19x2,2 mm +O-ring	1				4
13	60.1411.60	Piston, M8 aisi316 Sst.	1				3
14	60.1406.51	Piston holder, Sst.	1				5
15	14.7443.10	Ball, 11/32" Sst.	1				10
16	60.1405.31	Spring rest pin, brass	1				10
17	60.1407.61	Spring, 5x21,4x49 mm z.pl.	1				25
18	16.2100.00	Set screw, DIN914 M4x4 mm	1				10
19	60.1814.31	Ring nut, M27x1 brass	1				5
20	60.1408.31	Valve regulating nut, M27 brass	1				5