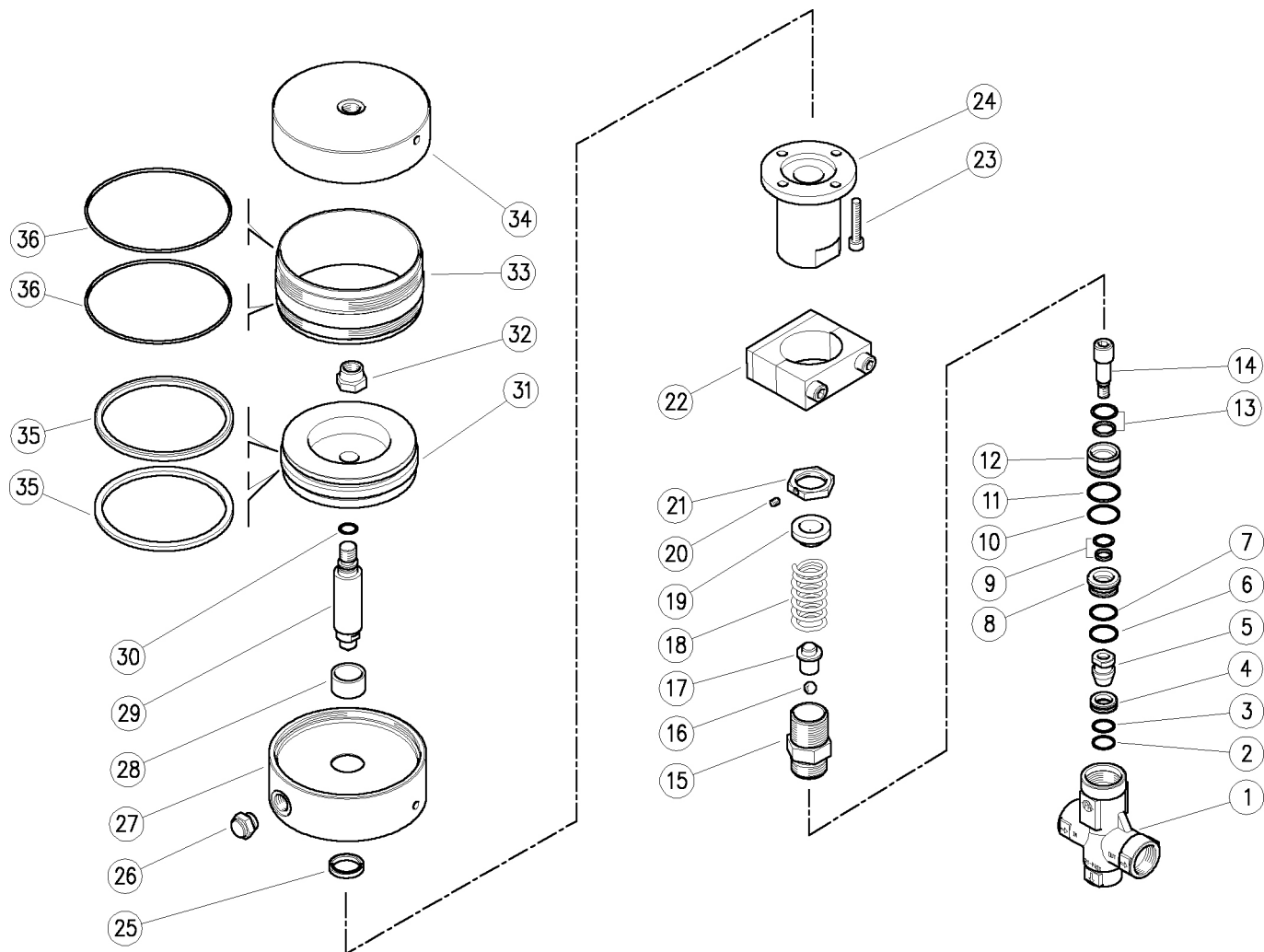


60.5450.00 VRPP 600 regul.valv. 1/2" F Bsp-air contr.



Pos.	P/N	Description	Q.ty	K1	K2	K3	K4
1	60.5401.55	Housing -VS23-VRP/P600, 1/2F Bsp brass	1				1
2	10.4036.17	Back-up ring, 14x2x17x1,5 mm	1	•			10
3	10.3064.01	O-ring, 1,78x14 mm Ni 85	1	•			10
4	60.5404.51	Seat, 9,2x17x7,5 mm Sst.	1	•			5
5	60.5403.51	Shutter pin, M7 Sst.	1	•			3
6	10.4039.00	Back-up ring, 15,7x18,5x1,5 mm	1	•			10
7	10.3066.01	O-ring, 1,78x15,6 mm Ni 85	1	•			10
8	60.5410.51	Lower spacer ring, 8x21,4x11,5 mm Sst.	1				3
9	10.2008.00	Stem seal, 8x13x2,2 mm +O-ring	1	•			5
10	10.3070.02	O-ring, 1,78x18,77 mm Ni 85	1	•			10
11	10.4057.00	Back-up ring, 18,7x21,5x1,5 mm	1	•			10
12	60.5409.51	Upper spacer ring, 8,3x21,5x17 mm Sst.	1				3
13	10.2013.00	Stem seal, 12x17x2,2 mm +O-ring	1	•			5
14	60.5408.51	Piston, M7 Sst.	1				5
15	60.5407.51	Piston holder, Sst.	1				5
16	14.7443.10	Ball, 11/32" Sst.	1				10
17	60.5406.31	Spring rest pin, brass	1				3
18	60.5402.61	Spring, 5,4x22x64,5 mm z.pl.	1				3

Pos.	P/N	Description	Q.ty	K1	K2	K3	K4
19	60.5451.31	Spring guide spacer, brass	1				10
20	16.2100.00	Set screw, DIN914 M4x4 mm	1				10
21	60.1814.31	Ring nut, M27x1 brass	1				5
22	11.0445.52	Collar, d.45x30 mm	1				1
23	16.1897.22	Screw, DIN912 M6x22 mm z.pl.	4				5
24	60.5452.31	Piston holder, brass	1				1
25	10.2020.25	Stem seal, 20x25x4 mm	1	•			5
26	11.8901.14	Pneum. filter, G1/4	1				3
27	60.5322.41	Valve head, Al	1				3
28	60.5323.85	Bushing, opn. 20x24x14,8 mm PTFE	1	•			3
29	60.5321.61	Piston, 20-M12x94 mm	1				3
30	10.3058.01	O-ring, 1,78x10,82 mm	1	•			10
31	60.5326.41	Piston, Al	1				3
32	11.4740.00	Hex. nut, M12	1				10
33	60.5324.46	Jacket, Al	1				3
34	60.5325.41	Valve bottom, Al	1				3
35	10.2100.00	Piston seal, 90x100x4,5 mm	2	•			5
36	10.3106.00	O-ring, 2x103 mm	2	•			5

Kit	P/N	Description	Q.ty
K1	60.5411.24	Spares kit -VRP/P 600, 10x1pcs.	1
K2	60.5327.24	Spares kit -pneum. cylinder, 5x1pcs.	1