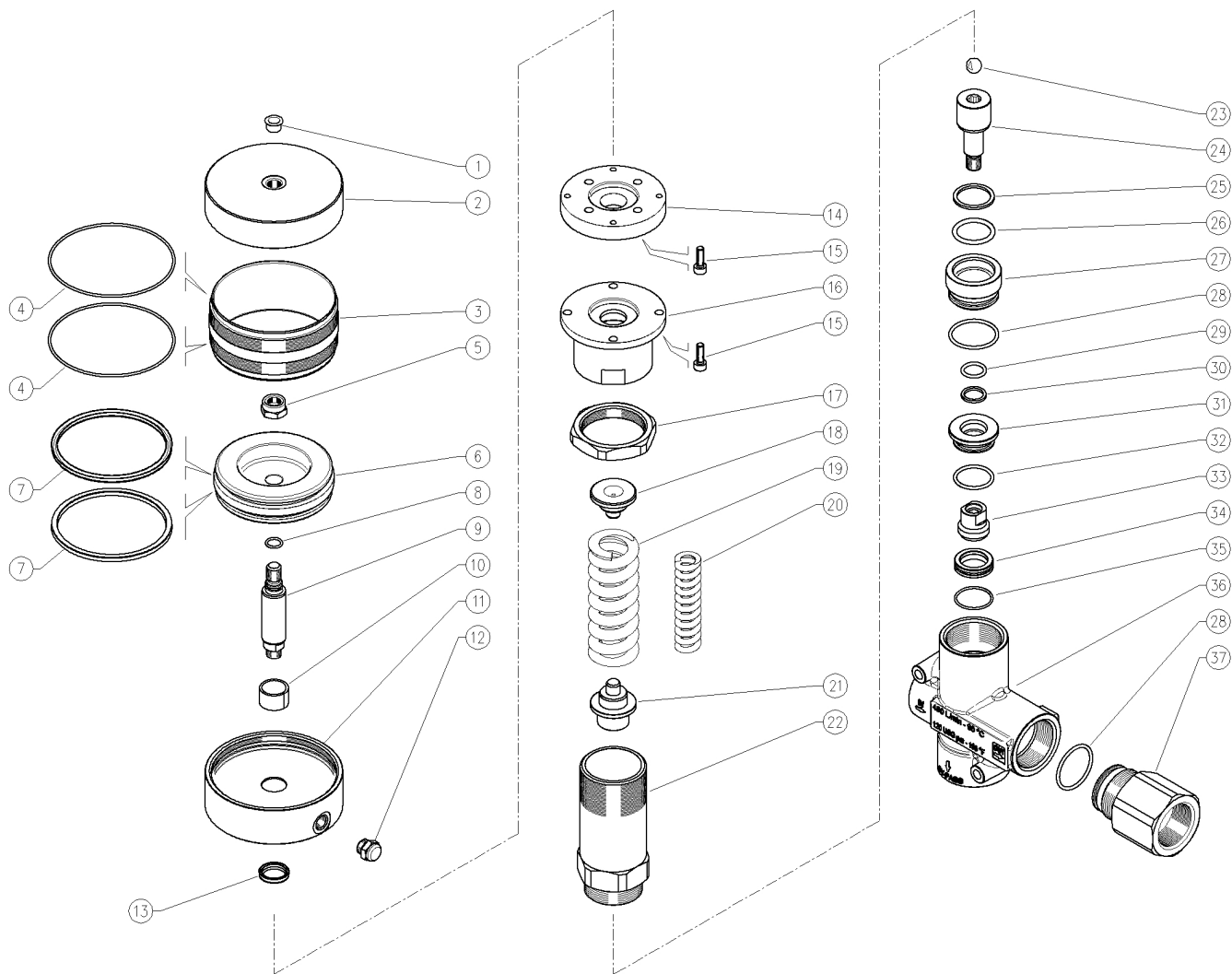


60.5360.00 VRPP 450-200 regul.valv. 1"1/4 Bsp -air



Pos.	P/N	Description	Q.ty	K1	K2	K3	K4
1	15.3720.14	Plug, 1/4" Bsp plast.	1				4
2	60.5325.41	Valve bottom, Al	1				3
3	60.5324.46	Jacket, Al	1				3
4	10.3106.00	O-ring, 2x103 mm	2	•			5
5	11.4740.00	Hex. nut, M12	1				10
6	60.5326.41	Piston, Al	1				3
7	10.2100.00	Piston seal, 90x100x4,5 mm	2	•			5
8	10.3058.01	O-ring, 1,78x10,82 mm	1	•			10
9	60.5321.61	Piston, 20-M12x94 mm	1				3
10	60.5323.85	Bushing, opn. 20x24x14,8 mm PTFE	1	•			3
11	60.5322.41	Valve head, Al	1				3
12	11.8901.14	Pneum. filter, G1/4	1				3
13	10.2020.25	Stem seal, 20x25x4 mm	1	•			5
14	60.5364.31	Flange for VRPP 450	1				1
15	16.1895.18	Screw, DIN912 M6x18 mm z.pl.	8				4
16	60.5363.31	Piston holder, brass	1				1
17	60.5361.31	Ring nut, M55 brass	1				1
18	60.4016.31	Spring holder	1				3
19	60.4006.61	Spring, 9x33x110mm	1				2

Pos.	P/N	Description	Q.ty	K1	K2	K3	K4
20	60.4015.61	Spring	1				2
21	60.4010.31	Ball holder	1				3
22	60.5362.31	Spring holder, brass	1				1
23	14.7465.00	Ball, 1/2" Sst.	1				5
24	60.4004.51	Piston, M 12	1				3
25	10.4096.00	Back-up ring, 28x34x2mm	1	•			5
26	10.3246.05	O-ring 3,53x28,17 mm	1	•			5
27	60.4007.31	Bushing	1				3
28	10.3208.28	O-ring, 2,62x36,17 mm Ni85	2	•			5
29	10.3181.20	O-ring, 2,62x15,88 mm	1	•			10
30	10.4084.00	Back-up ring, 16x20,5x2mm	1	•			5
31	60.4005.31	Bushing	1				3
32	10.3206.08	O-ring, 2,62x28,25 mm Ni85	1	•			10
33	60.4003.51	Shutter, M 12	1	•			3
34	60.4002.51	Seat	1	•			3
35	10.3077.08	O-ring, 1,78x28,3 mm Ni 85	1	•			10
36	60.4001.35	Housing -VB450, 1"1/4Bsp F, brass	1				1
37	60.4014.31	Piston holder, 1"1/4 Bsp F	1				3

Kit	P/N	Description	Q.ty
K1	60.4222.24	Spares kit -VRP 450/200-300, 9x1pcs.	1
K2	60.5327.24	Spares kit -pneum. cylinder, 5x1pcs.	1