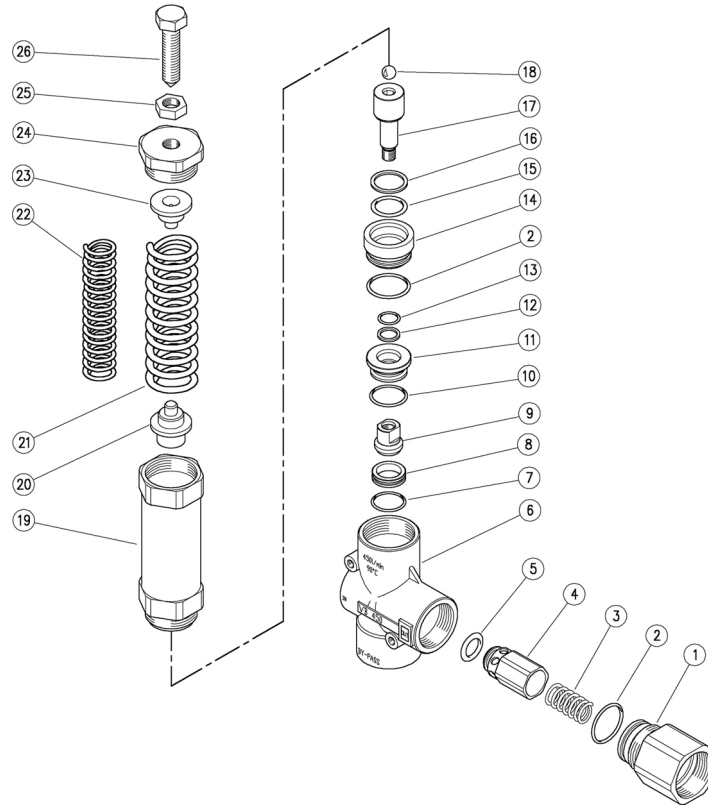


60.4020.00 VB450/200 unload. 1"1/4 Bsp F
60.4030.00 VB450/300 unload. 1"1/4 Bsp F

60.4220.00 VRP 450/200 reg.valv 1"1/4 Bsp F
60.4230.00 VRP 450/300 reg.valv.1"1/4 Bsp F



Pos.	P/N	Description	Q.ty	K1	K2	K3	K4	
1	60.4014.31	Piston holder, 1"1/4 Bsp F	1					3
2	10.3208.28	O-ring, 2,62x36,17 mm Ni85	2	•	•			5
3	60.4013.51	Spring, 1,6x23,1x44mm (1,2)	1					3
4	60.4012.31	Check valve (1,2)	1					3
5	10.3350.00	O-ring, 6x18 mm (1,2)	1	•				10
6	60.4001.35	Housing -VB450, 1"1/4Bsp F, brass	1					1
7	10.3077.08	O-ring, 1,78x28,3 mm Ni 85	1	•	•			10
8	60.4002.51	Seat	1	•	•			3
9	60.4003.51	Shutter, M 12	1	•	•			3
10	10.3206.08	O-ring, 2,62x28,25 mm Ni85	1	•	•			10
11	60.4005.31	Bushing	1					3
12	10.4084.00	Back-up ring, 16x20,5x2mm	1	•	•			5
13	10.3181.20	O-ring, 2,62x15,88 mm	1	•	•			10

Pos.	P/N	Description	Q.ty	K1	K2	K3	K4	
14	60.4007.31	Bushing	1					3
15	10.3246.05	O-ring 3,53x28,17 mm	1	•	•			5
16	10.4096.00	Back-up ring, 28x34x2mm	1	•	•			5
17	60.4004.51	Piston, M 12	1					3
18	14.7465.00	Ball, 1/2" Sst.	1					5
19	60.4009.31	Piston holder	1					1
20	60.4010.31	Ball holder	1					3
21	60.4006.61	Spring, 9x33x110mm	1					2
22	60.4015.61	Spring (2,3)	1					2
23	60.4016.31	Spring holder	1					3
24	60.4008.31	Screw plug M 48	1					3
25	11.4845.00	Nut, M16x1,5 Sst.	1					5
26	60.4011.51	Screw, M16x54mm Sst.	1					3

Kit	P/N	Description	
K1	60.4022.24	Spares kit -VB 450/200-300, 10x1pcs.	1
K2	60.4222.24	Spares kit -VRP 450/200-300, 9x1pcs.	1

(1) 60.4020.00 (2) 60.4030.00 (3) 60.4230.00