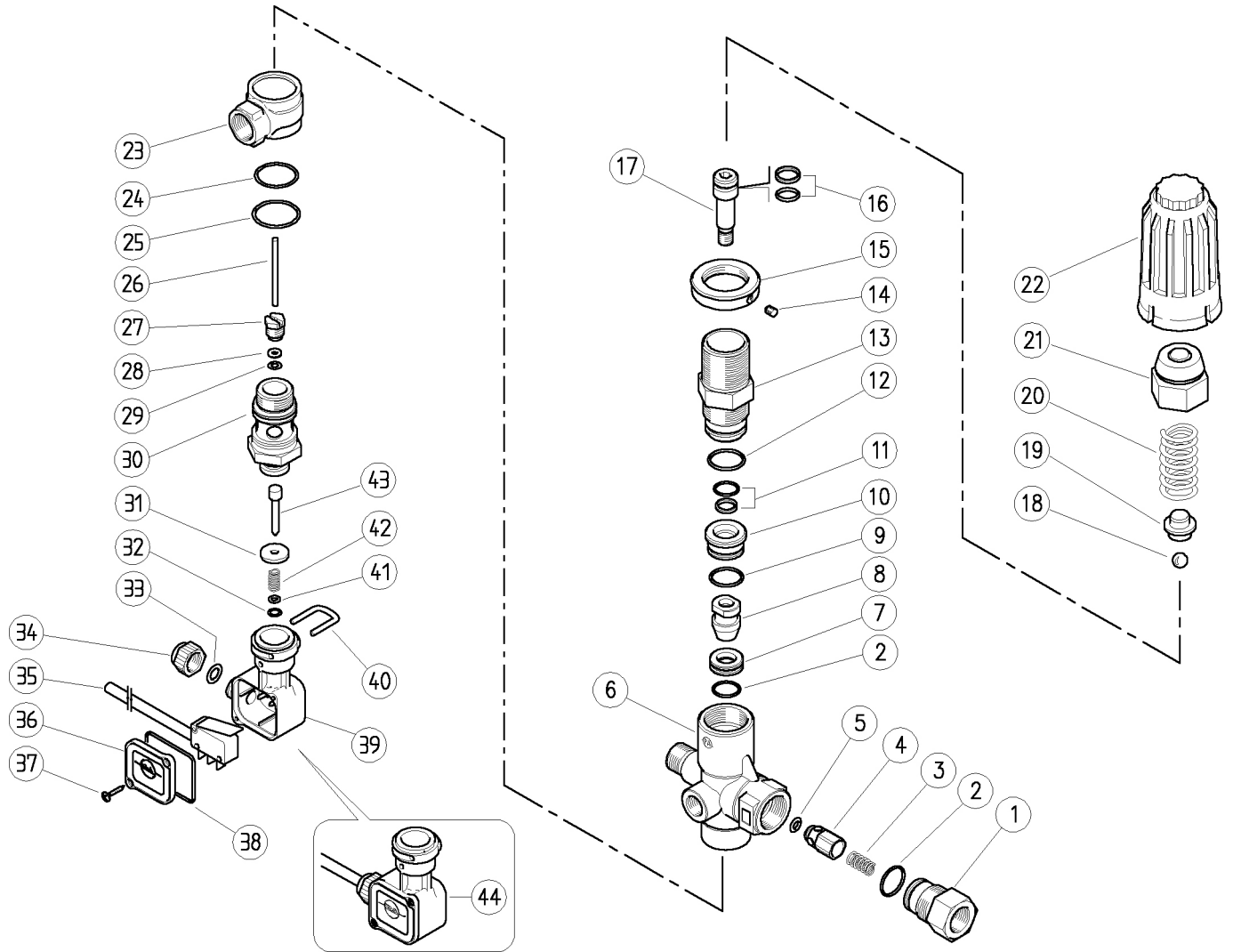


60.1730.00 VB350 unld.3/8F Bsp port:3/8M+m/sw+knob



| Pos. | P/N        | Description                               | Q.ty | K1 | K2 | K3 | K4 | Pos. | P/N        | Description                          | Q.ty | K1 | K2 | K3 | K4 |
|------|------------|---|------|----|----|----|----|------|------------|--------------------------------------|------|----|----|----|----|
| 1    | 60.1811.31 | Shutter coupl., 3/8F Bsp brass            | 1    |    |    |    | 3  | 23   | 60.0733.35 | Valve manifold, brass                | 1    |    |    |    | 3  |
| 2    | 10.3066.01 | O-ring, 1,78x15,6 mm Ni 85                | 2    | •  |    |    | 10 | 24   | 10.3072.50 | O-ring, 1,78x21,95 mm                | 1    | •  |    |    | 10 |
| 3    | 60.0053.51 | Spring, 0,7x9x20 mm Sst.                  | 1    |    |    |    | 10 | 25   | 10.3073.00 | O-ring, 1,78x23,52 mm                | 1    | •  |    |    | 10 |
| 4    | 60.9052.93 | Shutter pin, Sst.+or 3x6 mm N90           | 1    |    |    |    | 10 | 26   | 60.1733.51 | Micro-switch piston, Sst.            | 1    |    |    |    | 5  |
| 5    | 10.3213.08 | O-ring, 3x6 mm Ni 90                      | 1    | •  |    |    | 10 | 27   | 60.1732.31 | Plug, M10x1 brass                    | 1    |    |    |    | 10 |
| 6    | 60.1725.35 | Hous.-V280-350/4, 3/8M c/snk+1/4F Bsp brs | 1    |    |    |    | 3  | 28   | 10.4018.00 | Back-up ring, 3,2x7,5x1,2 mm         | 1    |    |    |    | 10 |
| 7    | 60.1809.51 | Seat, 11,6x19x6 mm Sst.                   | 1    | •  |    |    | 5  | 29   | 10.3165.00 | O-ring, 2,62x2,84 mm Vi 70           | 1    | •  |    |    | 10 |
| 8    | 60.1808.51 | Shutter pin, M8 Sst.                      | 1    | •  |    |    | 3  | 30   | 60.1731.31 | Seat holder, 1/2M Bsp brass          | 1    |    |    |    | 5  |
| 9    | 10.3068.01 | O-ring, 1,78x17,17 mm Ni 85               | 1    | •  |    |    | 10 | 31   | 29.0086.31 | Washer, 4x16x2,5 mm brass            | 1    |    |    |    | 10 |
| 10   | 60.1810.31 | Spacer ring, 10,3x23,4x12,5 mm brass      | 1    |    |    |    | 5  | 32   | 10.3038.00 | O-ring, 1,78x3,68 mm                 | 1    | •  |    |    | 10 |
| 11   | 60.0979.24 | Stem seal, 10x14,9x2,2 mm+O-ring          | 1    | •  |    |    | 5  | 33   | 10.3169.00 | O-ring, 2,62x6,02 mm                 | 1    | •  |    |    | 10 |
| 12   | 10.3072.01 | O-ring, 1,78x20,35 mm Ni 85               | 1    | •  |    |    | 10 | 34   | 29.0082.84 | Locknut for cable gland, PA black    | 1    |    |    |    | 10 |
| 13   | 60.1805.31 | Piston holder, brass                      | 1    |    |    |    | 3  | 35   | 12.5006.00 | Cable, 3x0,75 L.1000 mm+ Microswitch | 1    |    |    |    | 5  |
| 14   | 16.2100.00 | Set screw, DIN914 M4x4 mm                 | 1    |    |    |    | 10 | 36   | 29.0088.84 | Lid, PR5 PA black                    | 1    |    |    |    | 10 |
| 15   | 60.1728.31 | Ring nut, M27x1 brass                     | 1    |    |    |    | 3  | 37   | 16.3020.00 | S/tapp. screw, 2,5x12mm chrom        | 2    |    |    |    | 10 |
| 16   | 60.0978.24 | Piston seal, 9x14x2,2 mm+O-ring           | 1    | •  |    |    | 5  | 38   | 10.3206.01 | O-ring, 2,62x28,25 mm                | 1    | •  |    |    | 10 |
| 17   | 60.1806.51 | Piston, M8 Sst.                           | 1    |    |    |    | 3  | 39   | 29.0089.84 | Housing, PR5 PA black                | 1    |    |    |    | 10 |
| 18   | 14.7443.10 | Ball, 11/32" Sst.                         | 1    | •  |    |    | 10 | 40   | 29.0087.51 | U-bolt, Sst.                         | 1    |    |    |    | 10 |
| 19   | 60.1813.31 | Spring rest pin, brass                    | 1    | •  |    |    | 5  | 41   | 14.3519.00 | Washer, 4x8x0,5 mm brass             | 1    |    |    |    | 10 |
| 20   | 60.1812.61 | Spring, 4,5x15,8x47mm                     | 1    |    |    |    | 3  | 42   | 60.2303.51 | Spring, 1,1x8x20 mm Sst.             | 1    |    |    |    | 10 |
| 21   | 60.1727.31 | Valve regulating insert, brass            | 1    |    |    |    | 5  | 43   | 60.2351.31 | Micro-switch piston, brass           | 1    |    |    |    | 10 |
| 22   | 60.1729.84 | Valve regulating knob, PA red             | 1    |    |    |    | 10 | 44   | 29.0096.24 | Casing kit -PR5, complete 40bar      | 1    |    |    |    | 5  |

| Kit | P/N        | Description                     | Q.ty |
|-----|------------|---------------------------------|------|
| K1  | 60.1736.24 | Spares kit -VB350+PR5, 18x1pcs. | 1    |