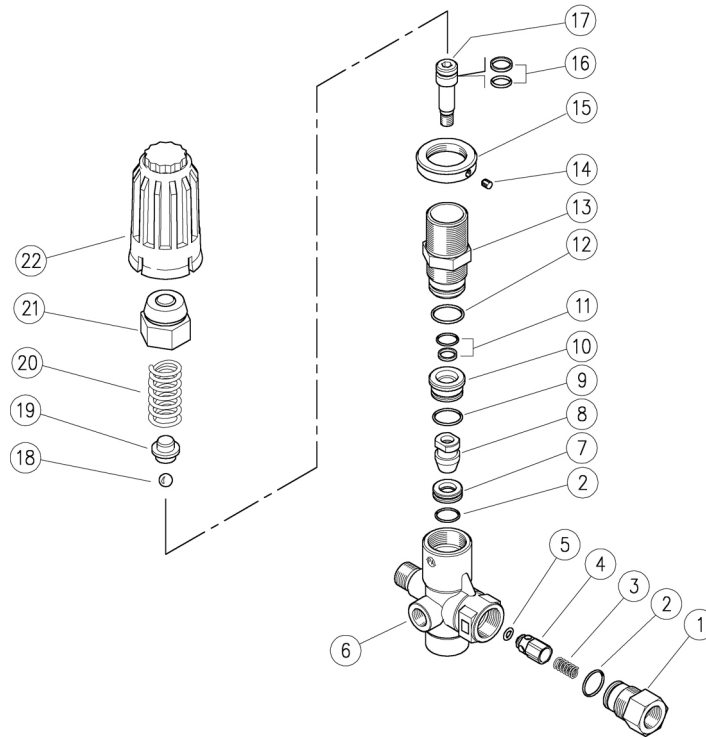


60.1600.00 VB280 unload. 3/8MF Bsp byp:1/2F+knob
 60.1700.00 VB350 unload. 3/8MF Bsp byp:1/2F+knob

60.1700.50 VB350 unload. 3/8MF Npt byp:1/2F+knob



Pos.	P/N	Description	Q.ty	K1	K2	K3	K4	
1	60.1811.31	Shutter coupl., 3/8F Bsp brass	1					3
1	60.1817.31	3/8Npt F nipple (1)	1					3
2	10.3066.01	O-ring, 1,78x15,6 mm Ni 85	2	•				10
3	60.0053.51	Spring, 0,7x9x20 mm Sst.	1					10
4	60.9052.93	Shutter pin, Sst.+or 3x6 mm N90	1					10
5	10.3213.08	O-ring, 3x6 mm Ni 90	1	•				10
6	60.1725.35	Hous.-V280-350/4,3/8M c/snk+1/4F Bsp brs	1					3
6	60.1717.35	Hous.-V280-350/4,3/8M Npt +1/4FNpt brs (1)	1					3
7	60.1809.51	Seat, 11,6x19x6 mm Sst.	1	•				5
8	60.1808.51	Shutter pin, M8 Sst.	1	•				3
9	10.3068.01	O-ring, 1,78x17,17 mm Ni 85	1	•				10
10	60.1810.31	Spacer ring, 10,3x23,4x12,5 mm brass	1					5
11	60.0979.24	Stem seal, 10x14,9x2,2 mm+O-ring	1	•				5
12	10.3072.01	O-ring, 1,78x20,35 mm Ni 85	1	•				10

Pos.	P/N	Description	Q.ty	K1	K2	K3	K4	
13	60.0973.31	Piston holder, brass (2)	1					3
13	60.1805.31	Piston holder, brass (3,1)	1					3
14	16.2100.00	Set screw, DIN914 M4x4 mm	1					10
15	60.1728.31	Ring nut, M27x1 brass	1					3
16	60.0978.24	Piston seal, 9x14x2,2 mm+O-ring	1	•				5
17	60.1806.51	Piston, M8 Sst.	1					3
18	14.7443.10	Ball, 11/32" Sst.	1	•				10
19	60.1813.31	Spring rest pin, brass	1					5
20	60.0975.61	Spring, 4,2x19,7x42 mm z.pl. (2)	1					10
20	60.1812.61	Spring, 4,5x15,8x47mm (3,1)	1					3
21	60.1727.31	Valve regulating insert, brass	1					5
22	60.1726.84	Valve regulating knob, PA black (2)	1					10
22	60.1729.84	Valve regulating knob, PA red (3,1)	1					10

Kit	P/N	Description	Q.ty
K1	60.1615.24	Spares kit -VB280-350/4 11x1pcs.	1

(1) 60.1700.50 (2) 60.1600.00 (3) 60.1700.00