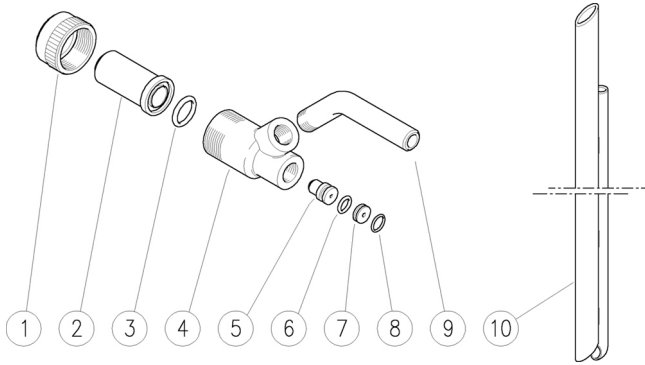


25.0000.10 TS8-02 Sandblaster, widia
 25.0000.12 TS8-03 Sandblaster, widia
 25.0000.14 TS8-04 Sandblaster, widia
 25.0000.15 TS8-045 Sandblaster, widia

25.0000.16 TS8-05 Sandblaster, widia
 25.0000.18 TS8-075 Sandblaster, widia
 25.0000.20 TS8-085 Sandblaster, widia



| Pos. | P/N | Description | Q.ty | K1 | K2 | K3 | K4 | |
|------|------------|-----------------------------------|------|----|----|----|----|----|
| 1 | 25.0003.31 | Hand nut M27x1,5 brass | 1 | | | | | 5 |
| 2 | 25.0010.23 | Conveyor nozzle, 6 mm sintered | 1 | | | | | 1 |
| 3 | 10.3178.00 | O-ring, 2,62x13,1 mm | 1 | • | | | | 10 |
| 4 | 25.0011.23 | Sandblaster housing | 1 | | | | | 1 |
| 5 | 25.0019.51 | Nozzle, 02 d.10,5x15 mm Sst. | 1 | | | | | 5 |
| 5 | 25.0007.51 | Nozzle, 03 d.10,5x15 mm Sst. (1) | 1 | | | | | 5 |
| 5 | 25.0008.51 | Nozzle, 04 d.10,5x15 mm Sst. (2) | 1 | | | | | 5 |
| 5 | 25.0009.51 | Nozzle, 045 d.10,5x15 mm Sst. (3) | 1 | | | | | 5 |
| 5 | 25.0014.51 | Nozzle, 05 d.10,5x15 mm Sst. (4) | 1 | | | | | 5 |
| 5 | 25.0015.51 | Nozzle, 075 d.10,5x15 mm Sst. (5) | 1 | | | | | 5 |
| 5 | 25.0016.51 | Nozzle, 085 d.10,5x15 mm Sst. (6) | 1 | | | | | 5 |
| 6 | 10.3052.00 | O-ring, 1,78x6,75 mm | 1 | • | | | | 25 |
| 7 | 25.0085.31 | Nozzle insert | 1 | • | | | | 5 |
| 8 | 10.3003.00 | O-ring, 1x8 mm | 1 | • | | | | 10 |
| 9 | 25.0005.66 | 13 mm hose barb- 1/4M Bsp z.pl. | 1 | | | | | 10 |
| 10 | 25.0013.21 | Sand probe +13mm hose barb | 1 | | | | | 5 |

| Kit | P/N | Description | |
|-----|------------|---------------------------------|---|
| K1 | 25.0021.24 | Spares kit -sandblast. 4x10pcs. | 1 |

(1) 25.0000.12 (2) 25.0000.14 (3) 25.0000.15 (4) 25.0000.16 (5) 25.0000.18
 (6) 25.0000.20