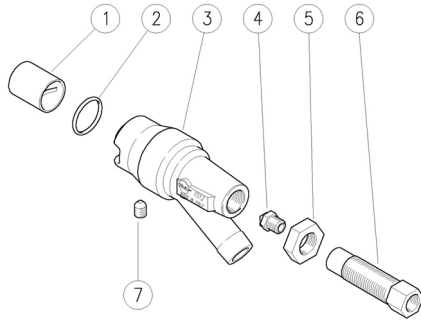



25.0450.00 TS12 Sandbl.500bar-flat jet



Pos.	P/N	Description	Q.ty	K1	K2	K3	K4	
1	25.0501.71	Sintered insert -TS12	1					2
2	10.3200.10	O-ring, 2,62x23,47 mm Vi 70	1					10
3	25.0451.62	Housing -TS12	1					1
4	16.1415.40	Sst nozzle 500bar 1/4M Npt -15.04 **	1					2
4	16.1415.50	Nzl 500bar 1/4M Npt+guid.vane15.05 **	1					2
4	16.1415.55	Nzl 500bar 1/4M Npt - 15.055 **	1					2
4	16.1415.80	Nzl 500bar 1/4M Npt+guid.vane15.08 **	1					2
4	16.1415.90	Nzl 500bar 1/4M Npt+guid.vane15.09 **	1					2
5	11.4850.00	Hex. nut, M18	1					5
6	25.0505.51	Regulator, 1/4F Bsp-1/4 F Npt Sst.	1					1
7	16.2221.00	Set screw, DIN914 M8x8 mm Sst.	1					10

** On request