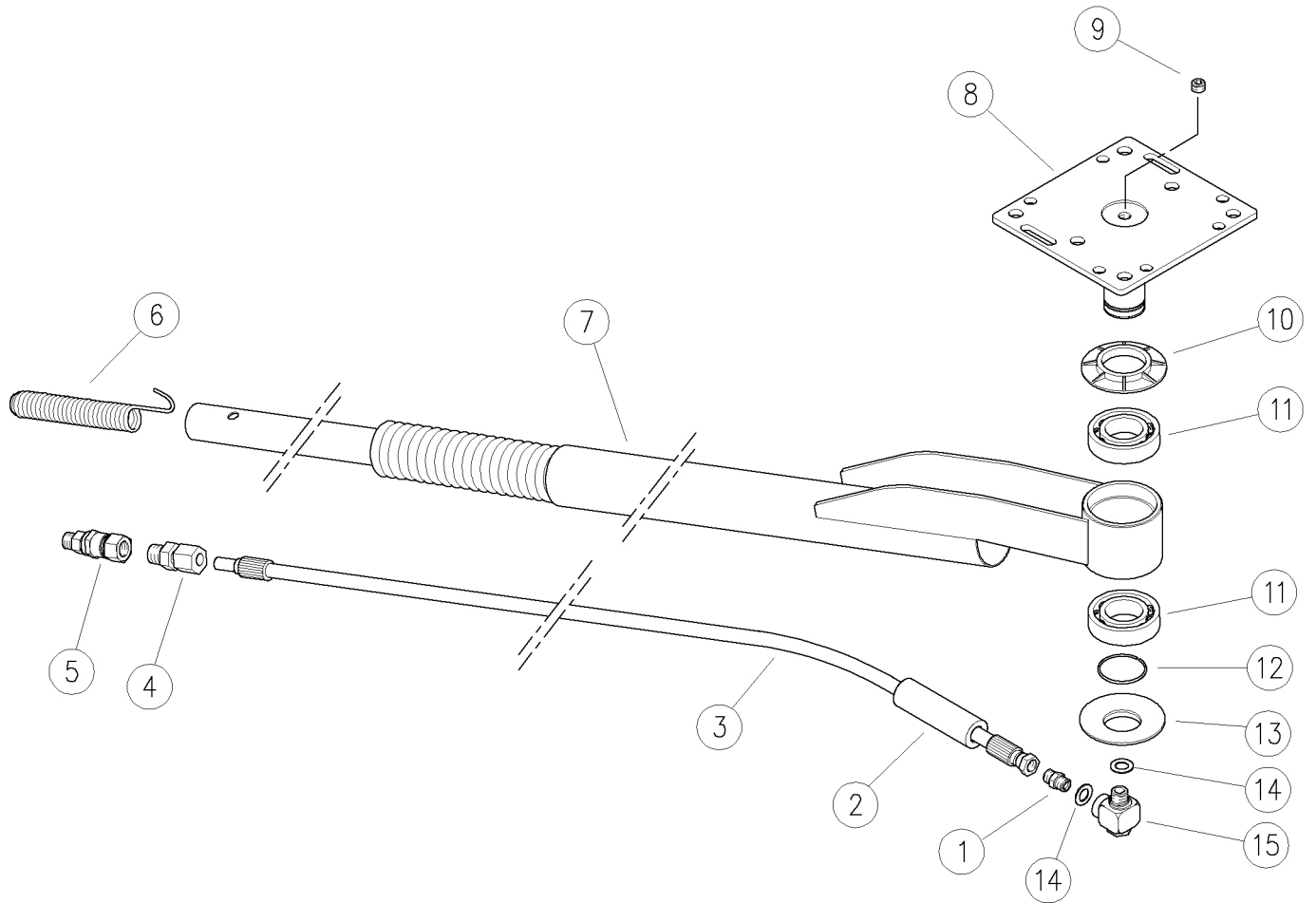


28.3150.00 BTI-1820 inclin.ceiling boom,rot.,single



Pos.	P/N	Description	Q.ty	K1	K2	K3	K4	
1	13.5006.00	Nipple,z.pl. 1/4MM Bsp	1					25
2	28.3064.85	Hose protector 100 mm	1					10
3	16.0510.70	Hose, 1/4F Bsp-12 1,97m	1					1
4	13.5023.00	Ring fitting, 3/8M Bspt-d.12F	1					5
5	26.1200.40	SW25 Swivel,ball-bear. 3/8 MF Bsp	1					5
6	28.3003.51	Front spring, 150 mm Sst.	1					5
7	28.3151.21	Welded boom, 1820 mm Sst.	1					1
8	28.3005.21	Ceiling mount pin, Sst.	1					1

Pos.	P/N	Description	Q.ty	K1	K2	K3	K4	
9	28.0364.31	Plug, int.hex. 1/4 Bspt brass	1					10
10	28.3001.84	Guard ring, PVC black	1					10
11	11.4439.68	Ball-bearing, 40x68x15 mm - 2RS1	2					2
12	28.3002.51	Snap ring, 2,5x36,8 mm Sst.	1					10
13	28.3004.84	Guard ring, PVC black	1					10
14	14.3813.22	Washer, 13,2x22x1,5 mm alu.	2					25
15	26.1300.20	SW90 Swivel 90°, sst, 1/4 MF Bsp	1					5