



EQUIPAGGIAMENTI
TECNICI
LAVAGGIO

25.0450.00
TESTINA SABBIANTE TS12
SAND BLASTING HEAD TS12

I
GB

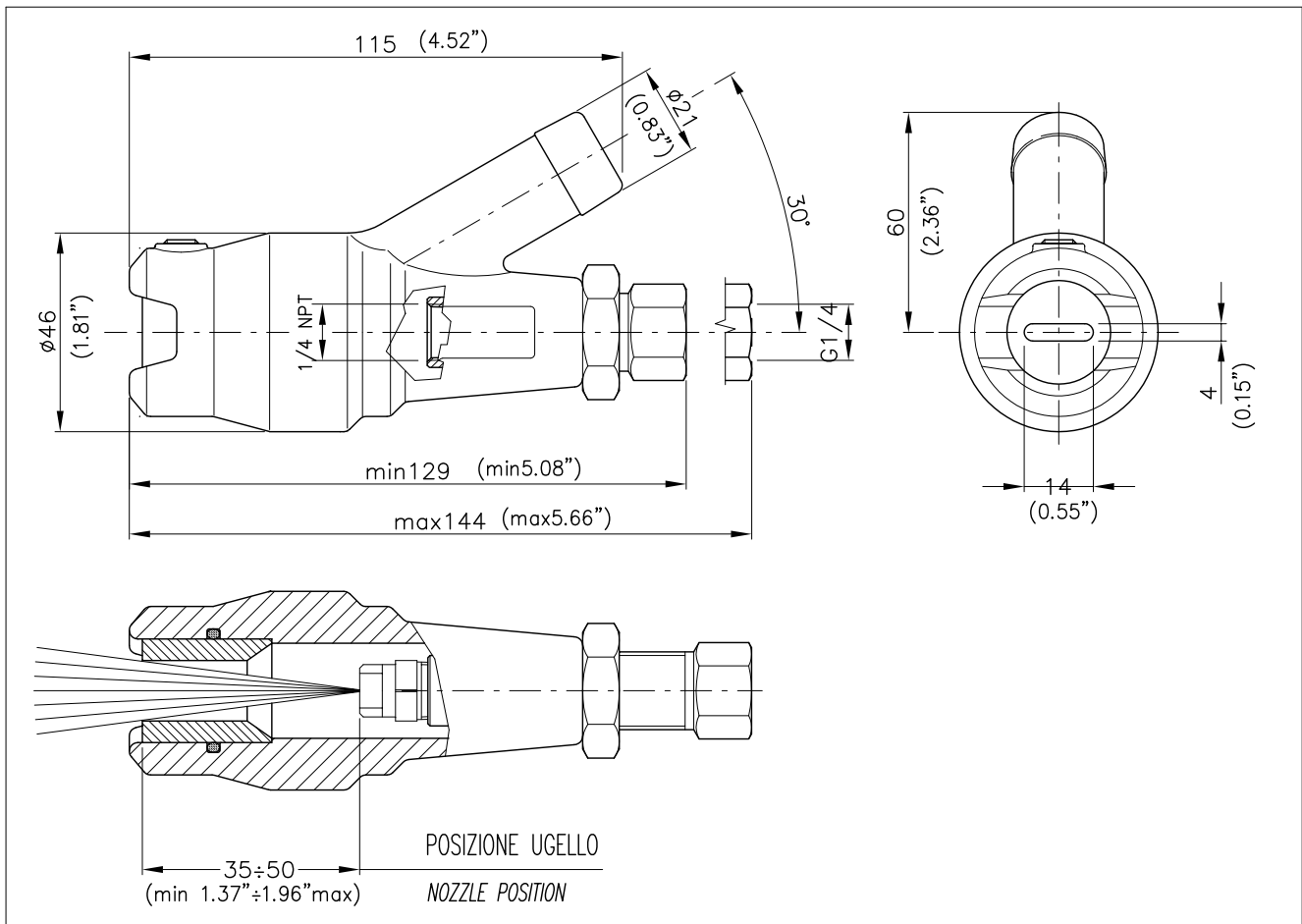
4

23/09/05

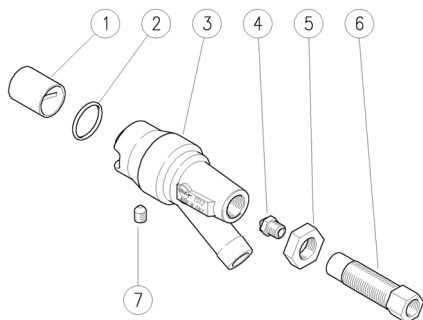
CARATTERISTICHE TECNICHE
SPECIFICATIONS

- PRESSIONE NOMINALE RATED PRESSURE	500 bar – 50 MPa (7250 psi)
- PRESSIONE CONSENTITA PERMISSIBLE PRESSURE	560 bar – 56 MPa (8100 psi)
- PORTATA MASSIMA MAX FLOW RATE	80 l/min (21 USG p.m.)
- TEMPERATURA MASSIMA MAX WORKING TEMPERATURE	90° C (195°F)
- UGELLO NOZZLE	1/4 NPT 15° GETTO PIATTO FLAT JET
- MATERIALI MATERIALS	CORPO IN ACCIAIO TEMPRATO E NICKELATO CON CONVOGLIATORE INTERNO IN CARBURO DI TUNGSTENO AD ALTA RESISTENZA. TEMPERED, NICKEL GALVANISED STEEL BODY WITH HIGHLY RESISTANT INNER CONVEYOR IN TUNGSTEN CARBIDE.

MISURE D'INGOMBRO
OVERALL DIMENSIONS



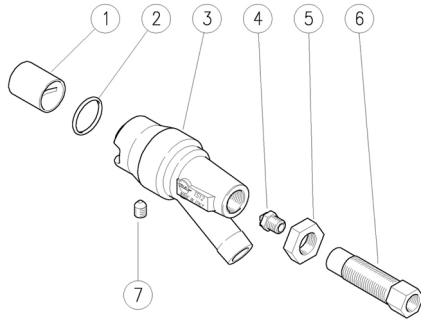
25.0450.00 TS12 Test.sabb.500bar-getto a lama




Pos.	Codice	Descrizione	Q.tà	K1	K2	K3	K4	
1	25.0501.71	Inserito sinterizzato TS12	1					2
2	10.3200.10	An.OR 2,62x23,47 mm Vi 70	1					10
3	25.0451.62	Corpo TS12	1					1
4	16.1415.40	Ug. 500bar 1/4M Npt -15.04 **	1					2
4	16.1415.50	Ug. 500bar 1/4M Npt+ventol. 15.05 **	1					2
4	16.1415.55	Ug. 500bar 1/4M Npt - 15.055 **	1					2
4	16.1415.80	Ug. 500bar 1/4M Npt+ventol. 15.08 **	1					2
4	16.1415.90	Ug. 500bar 1/4M Npt+ventol. 15.09 **	1					2
5	11.4850.00	Dado es. M18	1					5
6	25.0505.51	Regolatore G1/4F-1/4 F Npt inox	1					1
7	16.2221.00	Grano DIN914 M8x8 mm inox	1					10

** Su richiesta

25.0450.00 TS12 Sandbl.500bar-flat jet



Pos.	P/N	Description	Q.ty	K1	K2	K3	K4	
1	25.0501.71	Sintered insert -TS12	1					2
2	10.3200.10	O-ring, 2,62x23,47 mm Vi 70	1					10
3	25.0451.62	Housing -TS12	1					1
4	16.1415.40	Sst nozzle 500bar 1/4M Npt -15.04 **	1					2
4	16.1415.50	Nzl 500bar 1/4M Npt+guid.vane15.05 **	1					2
4	16.1415.55	Nzl 500bar 1/4M Npt - 15.055 **	1					2
4	16.1415.80	Nzl 500bar 1/4M Npt+guid.vane15.08 **	1					2
4	16.1415.90	Nzl 500bar 1/4M Npt+guid.vane15.09 **	1					2
5	11.4850.00	Hex. nut, M18	1					5
6	25.0505.51	Regulator, 1/4F Bsp-1/4 F Npt Sst.	1					1
7	16.2221.00	Set screw, DIN914 M8x8 mm Sst.	1					10

** On request

P.A. SpA EQUIPAGGIAMENTI TECNICI DEL LAVAGGIO

Via Milano, 13 42048 Rubiera - (RE) ITALY
Tel +39 0522 623611 (ric aut) - Fax +39 0522 629600
Info@pa-etl.it - www.pa-etl.it

**COMPANY WITH
QUALITY SYSTEM
CERTIFIED BY DNV**

= ISO 9001 =