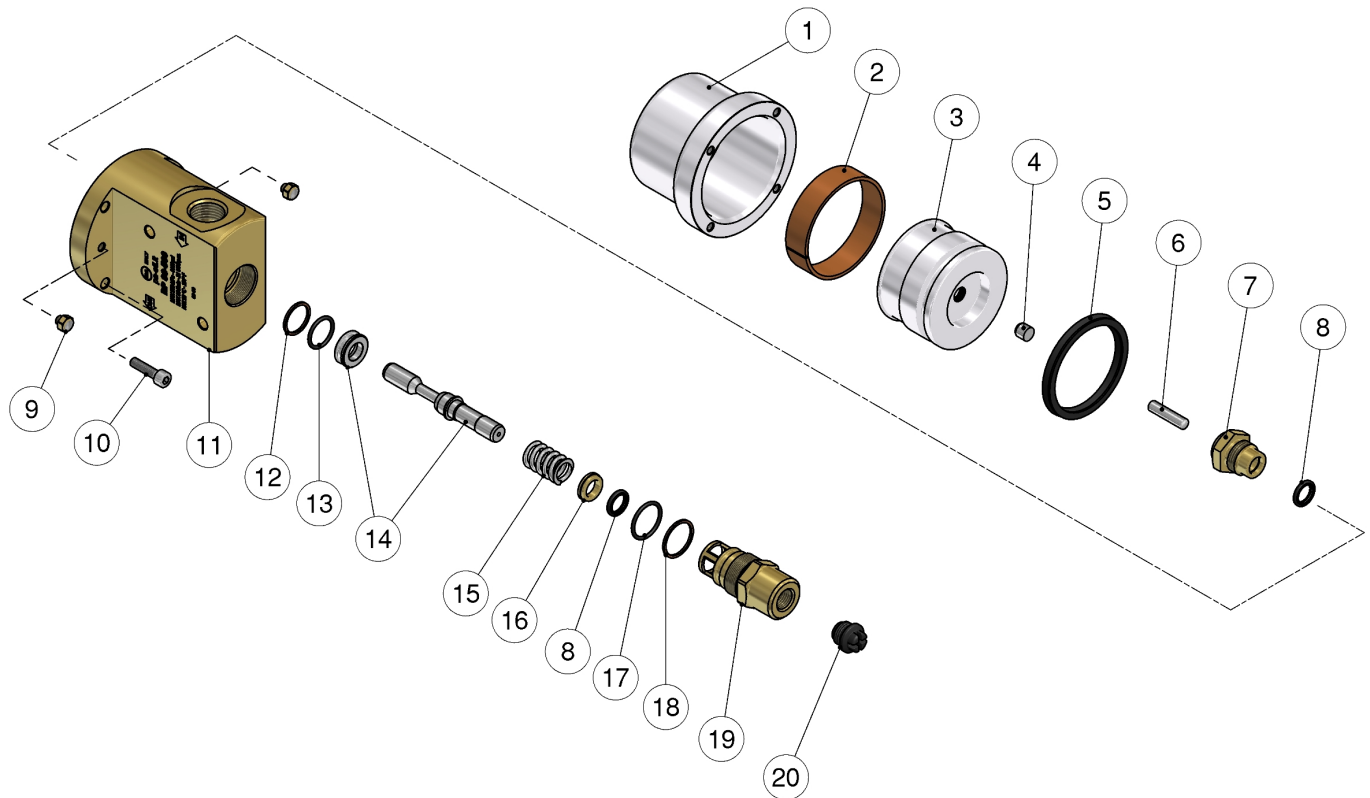


30.3250.00 RP80/500 1/2FF Bsp air compr.on-off gun



| Pos. | P/N | Description | Q.ty | K1 | K2 | K3 | K4 | |
|------|------------|---------------------------------|------|----|----|----|----|----|
| 1 | 30.3206.41 | Jacket, Al -RP120 | 1 | | | | | 3 |
| 2 | 30.3204.85 | Bushing, opn. 181x14,8mm PTFE | 1 | | | | | 5 |
| 3 | 30.3207.41 | Piston, RP120 | 1 | | | | | 2 |
| 4 | 30.0675.51 | Stop pin, 8x7,1mm Sst. | 1 | | | | | 10 |
| 5 | 10.2060.50 | Piston seal, 60x50x5 mm | 1 | | | | | 3 |
| 6 | 30.4041.51 | Parallel sst.pin, 6x25,8 mm | 1 | | | | | 5 |
| 7 | 30.4038.31 | Front plug, M18x1,5 brass | 1 | | | | | 10 |
| 8 | 10.2027.00 | Stem seal, 10x15x2,2 mm +O-ring | 2 | • | | | | 4 |
| 9 | 13.0805.00 | Screw M5 brass | 2 | | | | | 3 |
| 10 | 16.1873.00 | Screw, DIN912 M5x20 mm Sst. | 4 | | | | | 10 |

| Pos. | P/N | Description | Q.ty | K1 | K2 | K3 | K4 | |
|------|------------|-------------------------------------|------|----|----|----|----|----|
| 11 | 30.3251.31 | Brass hous.-RP80/500-3/4\"/> | | | | | | |
| 12 | 10.4042.00 | Back-up ring, 16,3x19x1,2 mm | 1 | • | | | | 10 |
| 13 | 10.3066.01 | O-ring, 1,78x15,6 mm Ni 85 | 1 | • | | | | 10 |
| 14 | 30.5411.24 | Piston + seat -RL84 | 1 | • | | | | 1 |
| 15 | 30.4042.51 | Spring, 2,4x15,3x30 mm Sst. | 1 | • | | | | 10 |
| 16 | 30.4040.31 | Spacer ring, 10,1x15,8x3,8 mm brass | 1 | | | | | 3 |
| 17 | 10.3070.02 | O-ring, 1,78x18,77 mm Ni 85 | 1 | • | | | | 10 |
| 18 | 10.4041.00 | Back-up ring, 19,3x22x1,2 mm PTFE | 1 | • | | | | 10 |
| 19 | 30.5408.31 | Spring holder | 1 | | | | | 5 |
| 20 | 30.5815.84 | Plug, 1/4M Bsp DIN259 Plast. black | 1 | | | | | 10 |

| Kit | P/N | Description | |
|-----|------------|---------------------------|---|
| K1 | 30.5414.24 | Spares kit -RL84, 8x1pcs. | 1 |