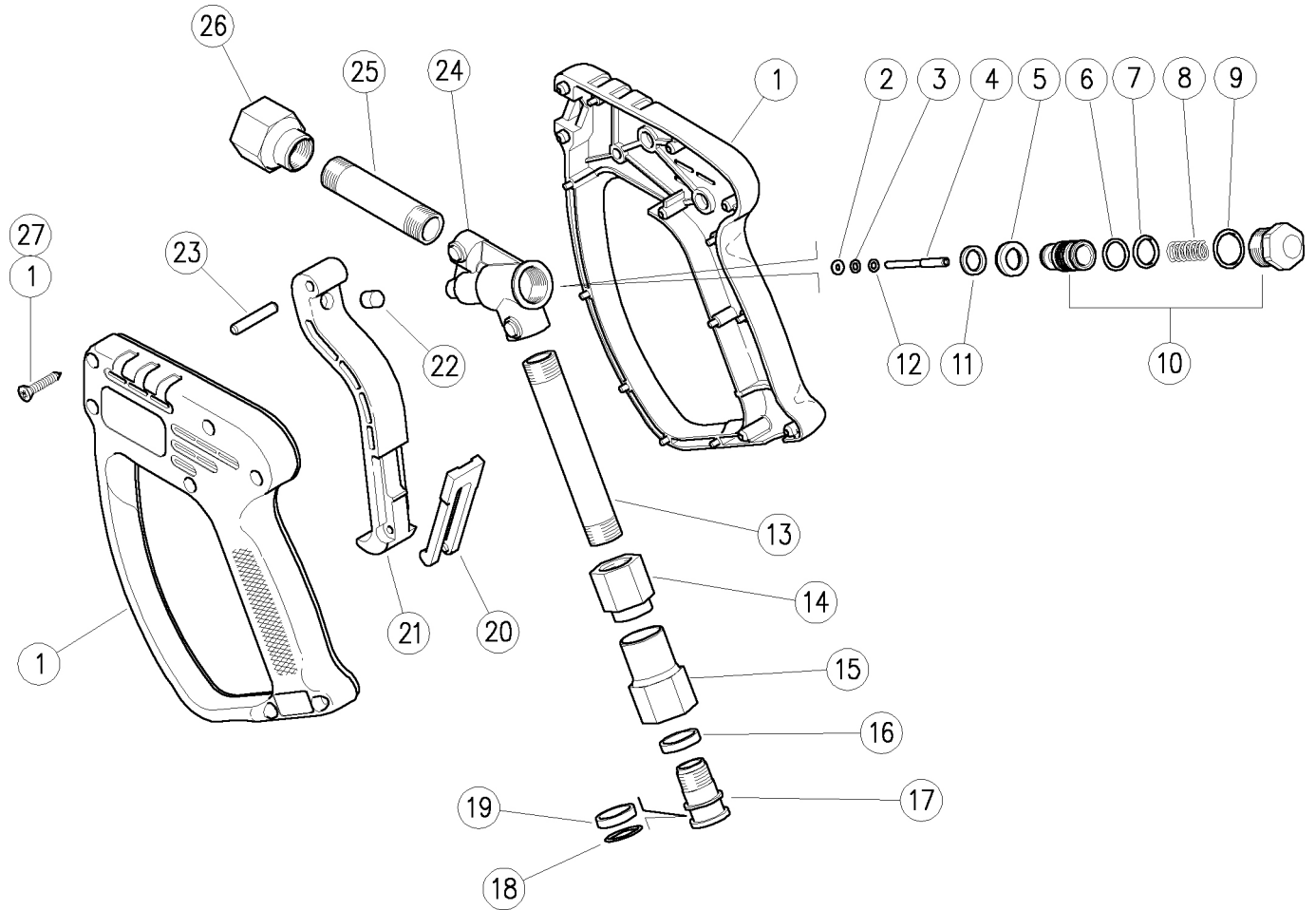


30.3170.00 RL60 spr.gun,sst+sw.5 1/2FF Bsp

30.3170.90 RL60 spray gun Sst.+sw. 1mm 1/2FF Bsp



Pos.	P/N	Description	Q.ty	K1	K2	K3	K4	
1	30.3188.24	Casing-kit -RL60 +screws, Sst.	1					1
2	10.4018.00	Back-up ring, 3,2x7,5x1,2 mm	1	•				10
3	10.3165.00	O-ring, 2,62x2,84 mm Vi 70	1	•				10
4	30.2516.51	Piston, 3 mm Sst.	1	•				10
5	30.3179.85	Seat, 10x16,3x4,5 mm PTFE	1	•				5
6	10.4157.00	Stem seal, 12,4x14x2 mm	1	•				10
7	10.3020.10	O-ring, 1,5x10 mm Vi 70	1	•				10
8	30.1507.51	Spring, 1,4x9x21 mm Sst.	1					10
9	10.3003.10	O-ring, 1x15 mm Vi 70	1	•				10
10	30.3185.24	Spares kit -RL60, Plug+Piston (1)	1					1
10	30.3189.24	Spares kit -RL60, Plug+Piston 1 mm (2)	1					1
11	30.3178.51	Spacer ring, Sst.	1					3
12	14.3511.00	Washer, 3,2x7x0,5 mm sst.	1					10
13	30.3173.56	Tube, M16x1 MM 96mm Sst.	1					5
14	30.3181.51	Coupl., M16x1F-M15x1F Sst.	1					3

Pos.	P/N	Description	Q.ty	K1	K2	K3	K4	
15	30.3182.51	Coupl., 1/2F Bsp Sst.	1					3
16	26.1074.85	Bushing, 15,5x19x4 mm PTFE	1	•				5
17	26.1072.51	Pin, M15x1-19 mm Sst.	1	•				5
18	10.3092.10	O-ring, 2x15 mm Vi 70	1	•				10
19	26.1075.85	Bushing, open 15,5x19x4 mm PTFE	1	•				5
20	30.1510.84	Safety latch, PA red (1)	1					10
20	30.1515.84	Safety latch, PA blue (2)	1					10
21	30.2506.84	Trigger -RL31, PA black	1					10
22	30.0675.51	Stop pin, 8x7,1mm Sst.	1					10
23	30.2517.31	Parallel pin, 5x27,5 mm brass	1					10
24	30.3175.55	Housing -RL60, Sst.	1					3
25	30.3180.56	Tube, M16x1 MM 57mm Sst.	1					3
26	30.3171.51	Coupl., M16x1F-1/2F Bsp Sst.	1					3
27	16.3075.51	S/tapping screw, DIN7981 3,5x18 mm Sst.	7					10

Kit	P/N	Description	Q.ty
K1	30.3183.24	Repair kit -RL60+sw, 11x1pcs.	1

(1) 30.3170.00 (2) 30.3170.90