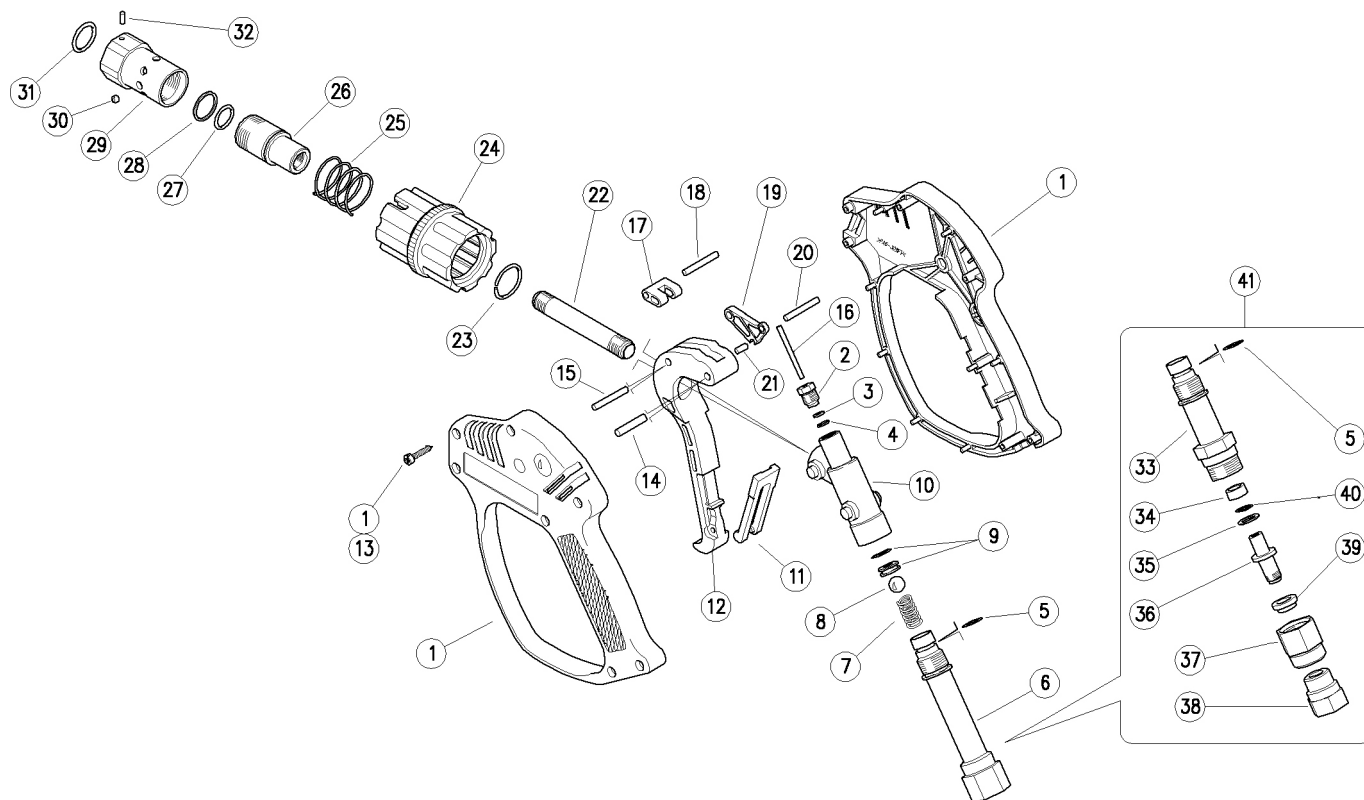


30.4140.23 RL51 spr.gun +sw 3/8F Bsp+ARS 23



| Pos. | P/N | Description | Q.ty | K1 | K2 | K3 | K4 |
|------|------------|------------------------------------|------|----|----|----|----|
| 1 | 30.4129.24 | Casing-kit -RL51 +screws | 1 | | | | 1 |
| 2 | 30.4115.31 | Front Plug, M10x1 brass | 1 | | | | 10 |
| 3 | 10.4018.00 | Back-up ring, 3,2x7,5x1,2 mm | 1 | • | | | 10 |
| 4 | 10.3165.00 | O-ring, 2,62x2,84 mm Vi 70 | 1 | • | | | 10 |
| 5 | 10.3060.01 | O-ring, 1,78x12,42 mm Ni 85 | 1 | • | | | 10 |
| 6 | 30.4106.35 | Inlet housing, 3/8F Bsp brass | 1 | | | | 3 |
| 7 | 30.4108.51 | Spring, 1,6x8,8x24 mm Sst. | 1 | | | | 10 |
| 8 | 14.7461.00 | Ball, 13/32" Sst. | 1 | • | | | 10 |
| 9 | 30.1002.20 | Seat, 7mm Sst. +O-ring 1,78 mm | 1 | • | | | 10 |
| 10 | 30.4105.35 | Housing -RL51/56, brass | 1 | | | | 3 |
| 11 | 30.1514.84 | Safety latch, PA yellow | 1 | | | | 10 |
| 12 | 30.4127.84 | Trigger -RL51/56, PA black | 1 | | | | 10 |
| 13 | 16.3077.00 | S/tapping screw, DIN7981 3,5x18 mm | 7 | | | | 10 |
| 14 | 30.4114.51 | Parallel pin, 5x33 mm Sst. | 1 | | | | 10 |
| 15 | 30.4121.51 | Parallel pin, 5x22 mm Sst. | 1 | | | | 10 |
| 16 | 30.4109.51 | Piston, 3x37,6 mm Sst. | 1 | • | | | 10 |
| 17 | 30.4104.84 | Connecting rod , PA black | 1 | | | | 10 |
| 18 | 30.4113.51 | Parallel pin, 4x29 mm Sst. | 1 | | | | 10 |
| 19 | 30.4124.84 | Connecting rod -RL51/56, PA black | 1 | | | | 10 |
| 20 | 30.4112.51 | Parallel pin, 4x20 mm Sst. | 1 | | | | 10 |
| 21 | 30.4122.51 | Parallel pin, 4x13 mm Sst. | 1 | | | | 10 |

| Pos. | P/N | Description | Q.ty | K1 | K2 | K3 | K4 |
|------|------------|----------------------------------|------|----|----|----|----|
| 22 | 30.4110.56 | Front tube, 1/4Bsp MM 85mm Sst. | 1 | | | | 3 |
| 23 | 26.2103.51 | Snap ring, 2x21,7 mm Sst. | 1 | | | | 5 |
| 24 | 26.2105.21 | Grip -ARS23, black | 1 | | | | 3 |
| 25 | 26.2033.51 | Spring, 1,4x29,1x25 mm Sst. | 1 | | | | 10 |
| 26 | 26.2301.31 | Housing, 1/4 Bsp F | 1 | | | | 3 |
| 27 | 10.3181.53 | O-ring, 2,62x17,2 mm | 1 | | | | 10 |
| 28 | 10.4036.29 | Back-up Ring, 14x17x2,9 mm | 1 | | | | 10 |
| 29 | 26.2302.31 | Ball Housing, -ARS23 | 1 | | | | 3 |
| 30 | 14.7410.10 | Ball, 3/16" Sst. | 8 | | | | 10 |
| 31 | 10.3179.10 | O-ring, 2,62x13,94 mm Vi 70 | 1 | | | | 10 |
| 32 | 15.1018.00 | Parallel pin, 3x8 mm Sst. | 1 | | | | 10 |
| 33 | 30.4521.31 | Swivel inlet housing, brass | 1 | | | | 3 |
| 34 | 26.1046.84 | Bushing, 10x14x7 mm Plast. | 1 | • | | | 5 |
| 35 | 10.4010.01 | Back-up ring, 10,2x13,9x1,2mm | 1 | • | | | 50 |
| 36 | 26.1041.31 | Pin, M12x1,25 brass | 1 | | | | 10 |
| 37 | 26.1042.31 | Ring nut, M22x1 brass | 1 | | | | 10 |
| 38 | 30.4522.31 | Coupl., M12x1,25F-3/8F Bsp brass | 1 | | | | 3 |
| 39 | 26.1045.84 | Bushing, 12x20x6 mm Plast. | 1 | • | | | 5 |
| 40 | 10.3109.95 | O-ring, 2,4x9,3 mm Vi 70 | 1 | • | | | 25 |
| 41 | 30.4125.24 | Tube+sw. -RL51, 3/8F Bsp | 1 | | | | 3 |

| Kit | P/N | Description | Q.ty |
|-----|------------|-------------------------------------|------|
| K1 | 30.4123.24 | Spares kit -RL50/1+sw, 11(10)x1pcs. | 1 |