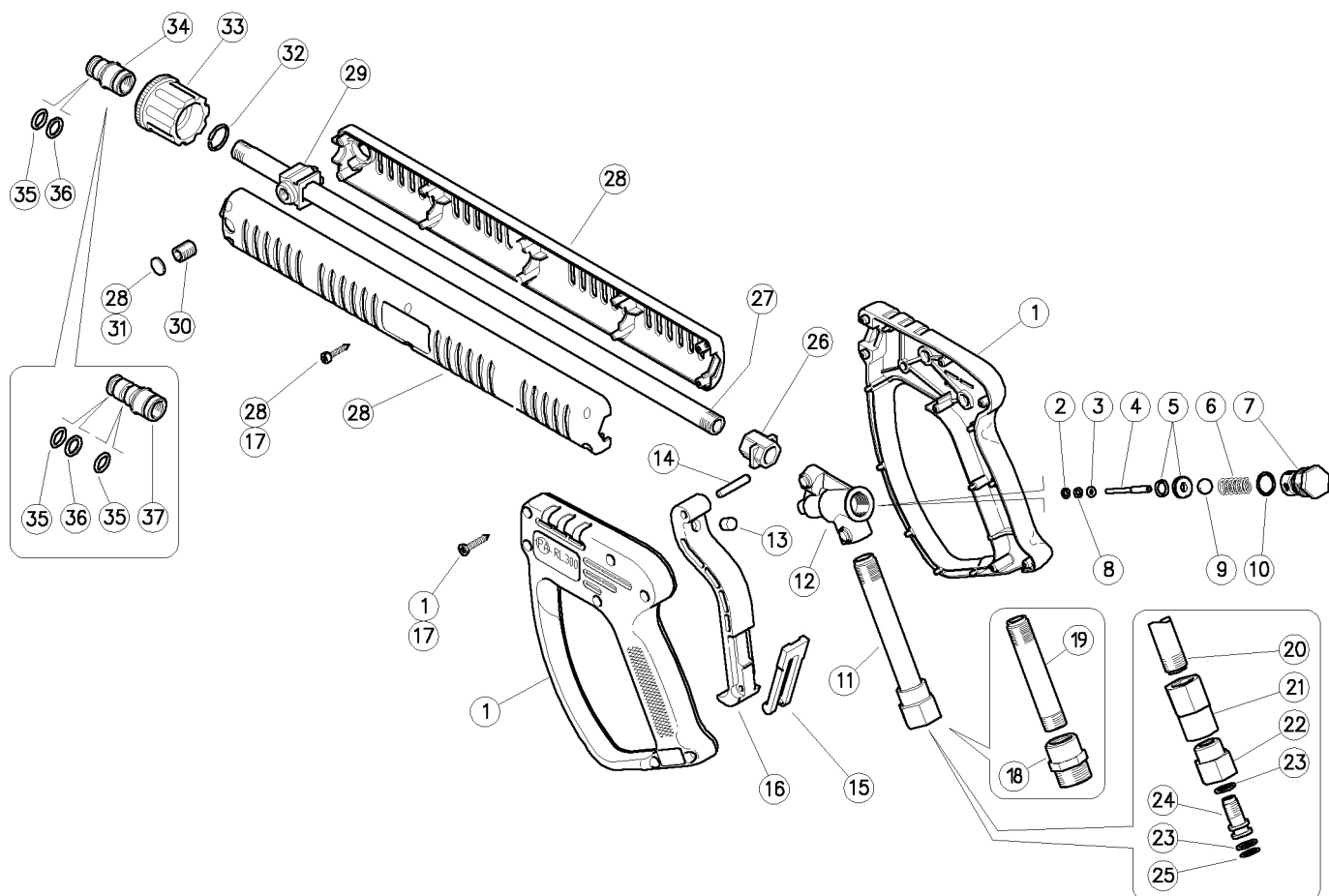


30.2600.11 RL300 gun 3/8M Bsp+S3 370mm,z.pl+AR5/4
 30.2601.11 RL300 gun 3/8F Bsp+S3 370mm,z.pl+AR5/4
 30.2606.11 RL300 gun 3/8M Bsp+S3 370mm,sst+AR5/4

30.2607.11 RL300 spr.gun+sw.6+S3 370mm,sst+AR5/4 B
 30.2608.11 RL300 spr.gun 3/8M Bsp+S3,z.pl+AR1/4 B



| Pos. | P/N | Description | Q.ty | K1 | K2 | K3 | K4 |
|------|------------|------------------------------------|------|----|----|----|----|
| 1 | 30.2501.24 | Casing-kit -RL30 +screws, Sst. | 1 | | | | 1 |
| 2 | 10.4018.00 | Back-up ring, 3,2x7,5x1,2 mm | 1 | | | | 10 |
| 3 | 14.3511.00 | Washer, 3,2x7x0,5 mm sst. | 1 | | | | 10 |
| 4 | 30.2516.51 | Piston, 3 mm Sst. | 1 | | | | 10 |
| 5 | 30.1708.20 | Seat, 6mm Sst.+O-ring 1,78mm NBR85 | 1 | | | | 10 |
| 6 | 30.2596.51 | Spring, 1,5x6,1x23 mm Sst. | 1 | | | | 10 |
| 7 | 30.2595.31 | Spring plug, M16x1 brass | 1 | | | | 10 |
| 8 | 10.3165.00 | O-ring, 2,62x2,84 mm Vi 70 | 1 | | | | 10 |
| 9 | 14.7448.00 | Ball, 5/16" Sst. | 1 | | | | 10 |
| 10 | 10.3020.02 | O-ring, 1,5x10 mm Ni 85 | 1 | | | | 10 |
| 11 | 30.2533.35 | Back tube, 3/8F Bsp brass (1) | 1 | | | | 5 |
| 12 | 30.2597.35 | Housing -RL30, brass | 1 | | | | 5 |
| 13 | 30.0675.84 | Stop pin, 8x7,1mm PA | 1 | | | | 10 |
| 14 | 30.2517.31 | Parallel pin, 5x27,5 mm brass | 1 | | | | 10 |
| 15 | 30.1510.84 | Safety latch, PA red | 1 | | | | 10 |
| 16 | 30.2506.84 | Trigger -RL31, PA black | 1 | | | | 10 |
| 17 | 16.3077.00 | S/tapping screw, DIN7981 3,5x18 mm | 13 | | | | 10 |
| 18 | 30.2524.31 | Coupl., 3/8M Bsp brass | 1 | | | | 5 |
| 19 | 30.1011.36 | Tube, M15 127 mm brass | 1 | | | | 5 |

| Pos. | P/N | Description | Q.ty | K1 | K2 | K3 | K4 |
|------|------------|--|-------|----|----|----|----|
| 20 | 30.2547.36 | Tube, M15 MM 103mm brass (2) | 1 | | | | 5 |
| 21 | 30.2546.31 | Adapt., M15F-M10x1F brass (2) | 1 | | | | 5 |
| 22 | 30.2019.31 | Coupl., 3/8F Bsp brass (2) | 1 | | | | 5 |
| 23 | 10.4010.01 | Back-up ring,10,2x13,9x1,2mm (2) | 2 | | | | 50 |
| 24 | 30.2017.51 | Pin, SW M10x1 M Sst. (2) | 1 | | | | 5 |
| 25 | 10.3171.10 | O-ring, 2,62x9,19 mm Vi 70 (2) | 1 | | | | 10 |
| 26 | 30.4554.84 | Gun outlet adapter, PA black | 1 | | | | 5 |
| 27 | 30.2603.66 | Tube, 1/4Bsp MM 430mm z.pl. | 1 | | | | 5 |
| 27 | 30.2605.56 | Tube, 1/4Bsp MM 430mm Sst. (3) | 1 | | | | 3 |
| 28 | 40.0308.24 | Casing-kit -S3, black+screws+Lance Plug | 1 | | | | 1 |
| 29 | 40.0304.84 | Tube fastener, plast. | 1 | | | | 25 |
| 30 | 16.2230.00 | Set screw, DIN916 M10x8 mm z.pl. | 1 | | | | 10 |
| 31 | 40.0303.84 | Lance Plug, PA black | 1 | | | | 10 |
| 32 | 26.0252.51 | Snap ring, 1,5x15,5 mm Sst. | 1 | | | | 10 |
| 33 | 26.0221.22 | Hand nut -AR4, M22x1,5 17,5mm black | 1 | | | | 10 |
| 34 | 26.0261.31 | Plug, 14mm-1/4F Bsp brass (4) | 1 | | | | 10 |
| 35 | 10.3109.95 | O-ring, 2,4x9,3 mm Vi 70 | 1 - 2 | | | | 25 |
| 36 | 10.4010.01 | Back-up ring,10,2x13,9x1,2mm | 1 | | | | 50 |
| 37 | 26.1038.31 | Plug +2 O-rings, 14mm-1/4F Bsp brass (5) | 1 | | | | 10 |

(1) 30.2601.11 (2) 30.2607.11 (3) 30.2606.11 (4) 30.2608.11 (5) 30.2600.11