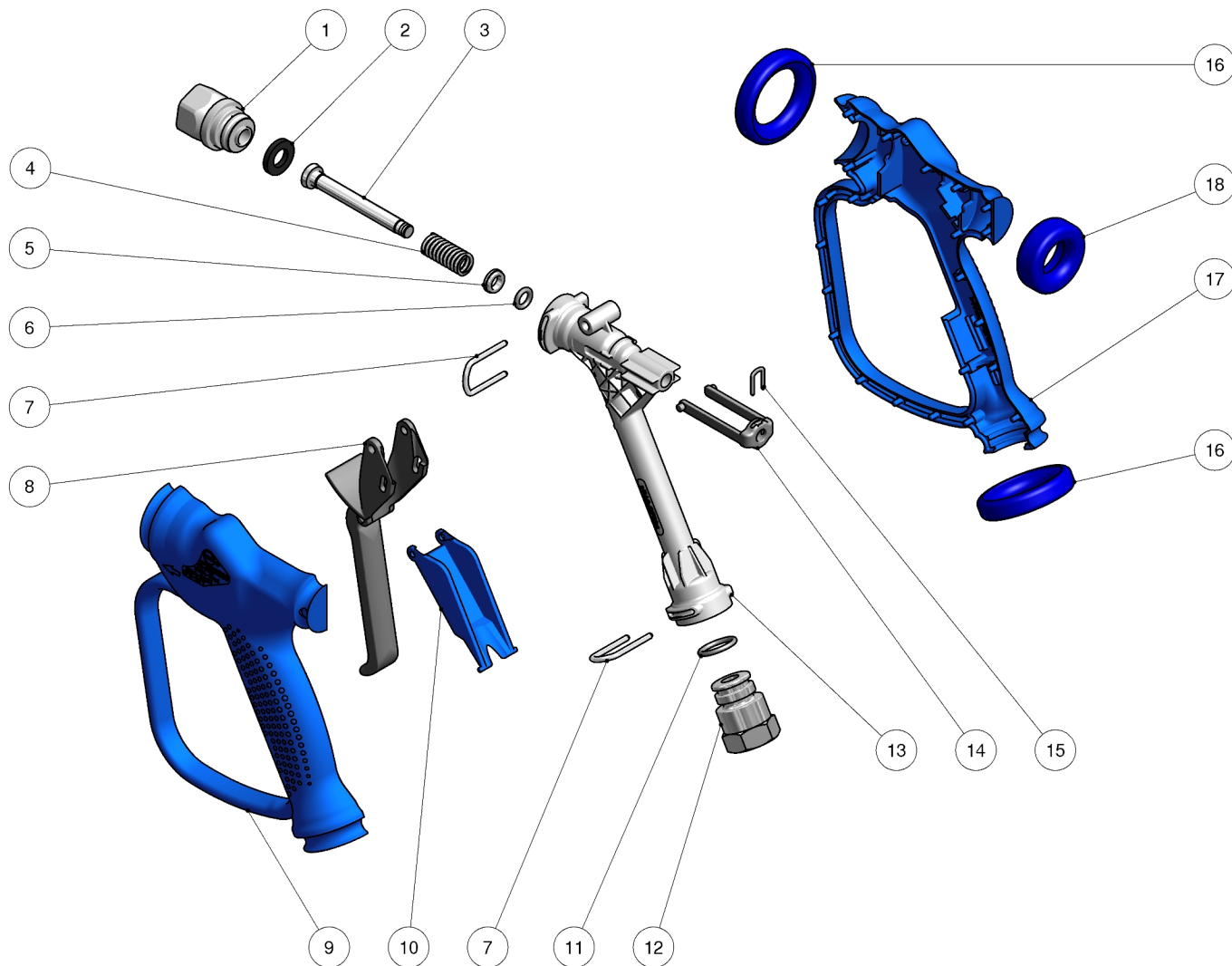


30.6225.00 RB 35 -G1/2F x2 low press. gun +sst.parts

30.6260.00 RB35 sp.gun, on/off, 1/2FF -50l/min



Pos.	P/N	Description	Q.ty	K1	K2	K3	K4	
1	30.6261.84	Front nozzle -RB35, 1/2 Bsp F	1					3
1	30.6226.84	Front nozzle -RB35,1/2 Bsp F- PP (1)	1					5
2	30.6207.85	Front seal, 11x20,5x3 mm Epdm	1					10
2	30.6408.85	Front seal, 11x20,5x3 mm FKM80 (1)	1					10
3	30.6262.51	Piston -RB35, aisi303 Sst.-on-off	1					3
4	30.6410.60	Spring, 1,8x12,8x40 mm aisi316 Sst.	1					5
5	30.6209.51	Sst seal piston ring	1					5
6	10.3170.18	O-ring, 2,62x7,6 mm Epdm	1					10
6	10.3170.10	O-ring, 2,62x7,6 mm Vi 70 (1)	1					10
7	30.6206.51	U-bolt, Sst. d.3mm	2					10
8	30.6254.84	Trigger -RB35, PA grey	1					3
8	30.6212.84	Trigger -RB35, PA blue (1)	1					3
9	30.6251.84	Upper handle-RB35 blue-80°C	1					3
9	30.6202.84	Upper handle-RB35 blue-50°C (1)	1					3

Pos.	P/N	Description	Q.ty	K1	K2	K3	K4	
10	30.6213.84	Lid, RB35 PA blue	1					3
11	10.3181.88	O-Ring, 2,62x17,12 mm Epdm	1					10
11	10.3181.53	O-ring, 2,62x17,2 mm (1)	1					10
12	30.6214.31	Coupl., -1/2F Bsp brass	1					3
12	30.6214.51	Coupl., -1/2F Bsp aisi303 Sst. (1)	1					3
13	30.6252.84	Housing -RB35-80°C	1					3
13	30.6208.84	Housing -RB35-50°C (1)	1					3
14	30.6253.84	Grey connecting rod	1					3
14	30.6210.84	Connecting rod, blue (1)	1					3
15	12.0050.27	U-bolt, Sst. d.2mm	1					10
16	30.6203.85	Front guard ring, blue	2					5
17	30.6201.84	Lower handle-RB35 blue	1					3
17	30.6201.84	Lower handle-RB35 blue (1)	1					3
18	30.6204.85	Back guard ring, blue	1					5

(1) 30.6225.00