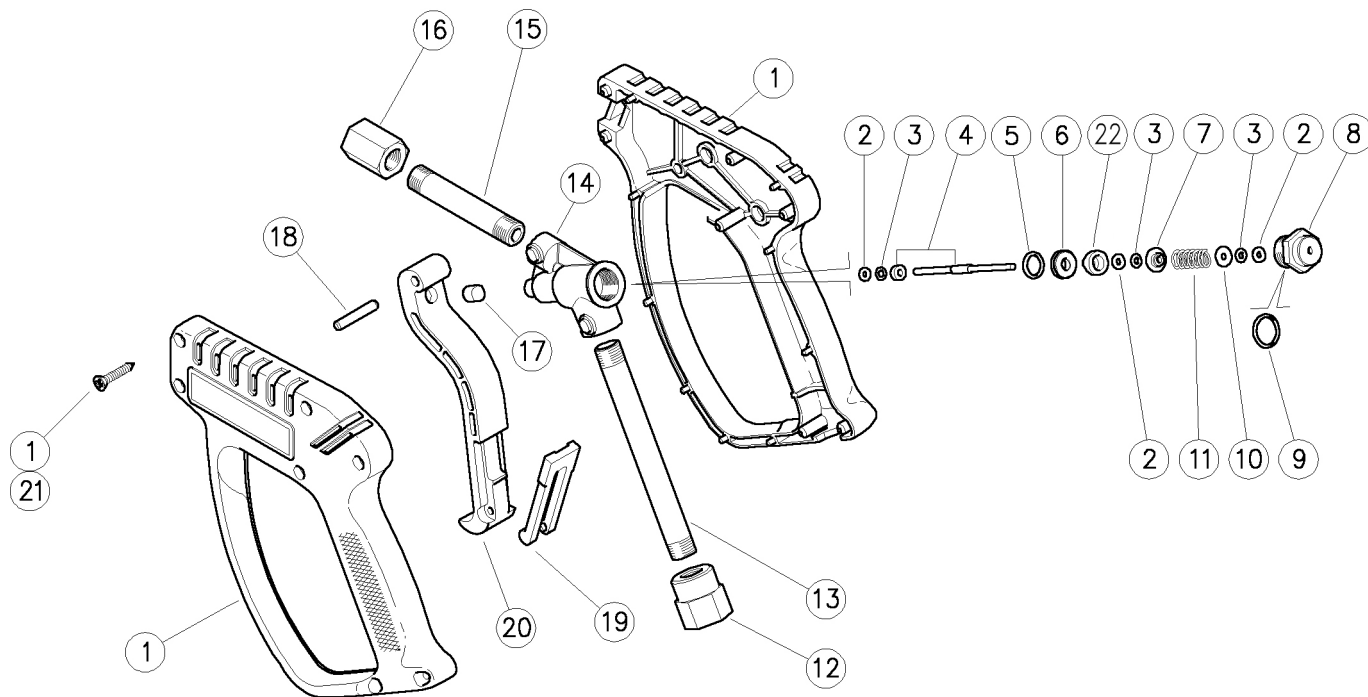


30.5650.00 Nova400 spr.gun,sst 3/8F-1/4F Bsp

30.5650.50 Nova400 spr.gun,sst 3/8F-1/4F Npt



Pos.	P/N	Description	Q.ty	K1	K2	K3	K4	
1	30.5521.24	Casing-kit -Nova 400 +screws, Sst.	1					1
2	10.4018.00	Back-up ring, 3,2x7,5x1,2 mm	3	•				10
3	10.3165.00	O-ring, 2,62x2,84 mm Vi 70	3	•				10
4	30.5659.21	Piston +Bushing	1	•				5
5	10.3059.01	O-ring, 1,78x11,11 mm Ni 85	1	•				10
6	30.5516.51	Seat, 6,0x13,9 mm	1	•				3
7	30.5502.51	Spring washer, Sst.	1					3
8	30.5651.51	Plug, M16x1 Sst.	1					5
9	10.3064.01	O-ring, 1,78x14 mm Ni 85	1	•				10
10	30.5507.51	Washer, 3,3x10x,5 mm Sst.	1					10
11	30.5508.51	Spring, 1,6x10x22 mm Sst.	1					5
12	30.3155.51	Coupl., 1/4F Bspt-3/8F Bsp Sst. (1)	1					5

Pos.	P/N	Description	Q.ty	K1	K2	K3	K4	
12	30.3156.51	Coupl., 1/4F Bspt-3/8F Npt Sst. (2)	1					5
13	30.3154.56	Tube, 1/4Bspt MM 127mm Sst.	1					5
14	30.3152.55	Housing -VEGA, Sst.	1					3
15	30.3153.56	Tube, 1/4Bspt MM 70mm Sst.	1					5
16	30.2009.51	Coupling, 1/4F Bsp-1/4F Bspt Sst. (1)	1					5
16	30.2037.51	Coupling, 1/4F Npt-1/4F Bspt Sst. (2)	1					5
17	30.0675.84	Stop pin, 8x7,1mm PA	1					10
18	30.2517.31	Parallel pin, 5x27,5 mm brass	1					10
19	30.1510.84	Safety latch, PA red	1					10
20	30.2506.84	Trigger -RL31, PA black	1					10
21	16.3075.51	S/tapping screw, DIN7981 3,5x18 mm Sst.	7					10
22	30.5501.61	Piston -Nova 400	1	•				3

Kit	P/N	Description	
K1	30.5655.24	Repair kit -Nova 400, 7x1pcs.	1

(1) 30.5650.00 (2) 30.5650.50