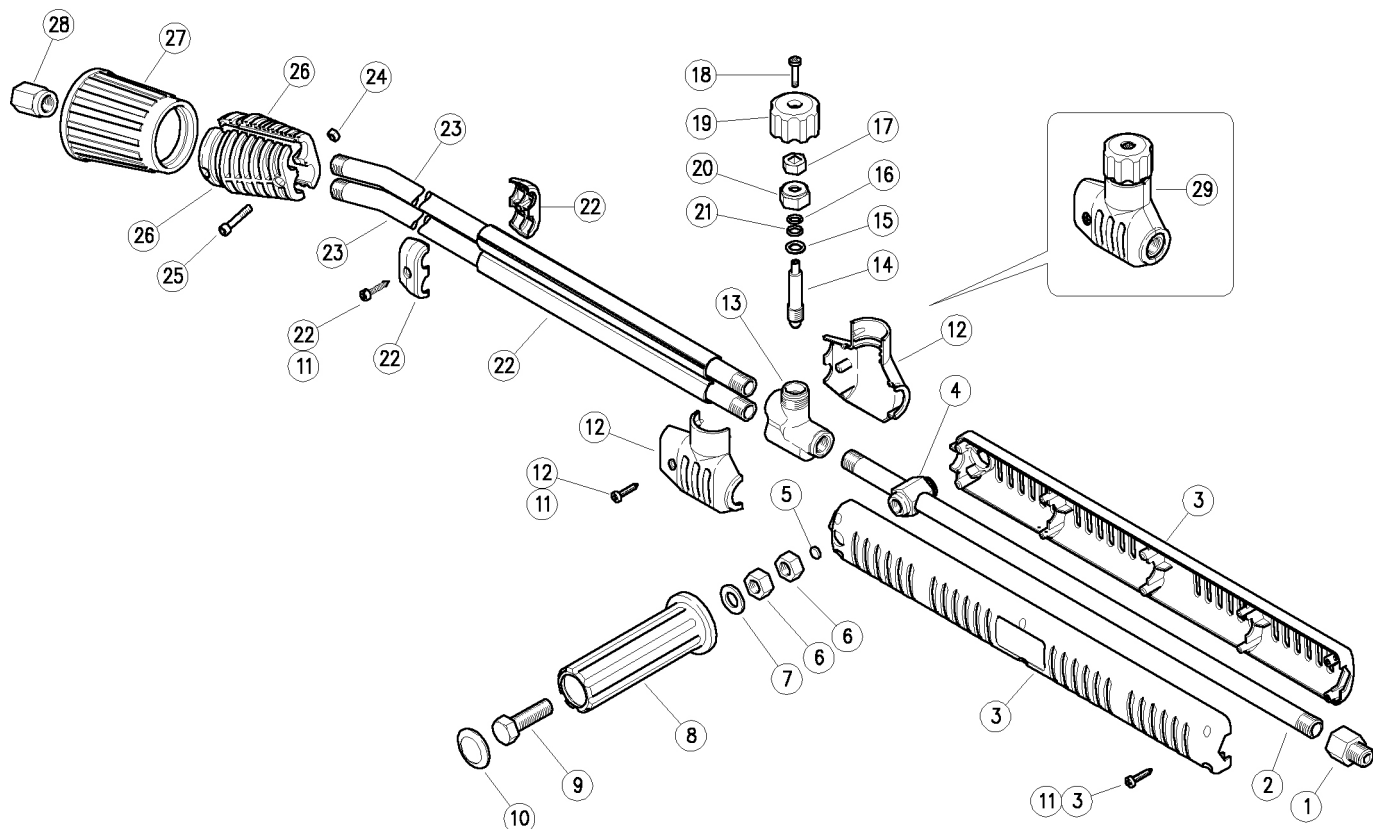


41.0880.00 LD9+S3 dbl.lan.1090mm 1/4z.pl.vert.valv



Pos.	P/N	Description	Q.ty	K1	K2	K3	K4	
1	40.5008.31	Reduct,brass 1/4M Bspt-1/4F Bsp	1					10
2	40.0314.56	Tube, 1/4Bsp MM 377mm Sst.	1					10
3	40.0308.24	Casing-kit -S3, black+screws+Lance Plug	1				1	10
4	40.0304.41	Tube fastener, alum.	1					10
5	13.5305.00	Plate, 8x1,5 mm Cu	1					10
6	11.4627.00	Hex. nut, M10	2					10
7	14.3799.00	Washer, 10x21x2 mm	1					10
8	41.0409.84	Knob, 32x115 mm PP black	1					5
9	16.2030.00	Screw, DIN933 M10x30 mm z.pl.	1					10
10	41.0411.84	Plug, Knob PP black	1					5
11	16.3077.00	S/tapping screw, DIN7981 3,5x18 mm	8					10
12	41.0424.24	Casing-kit -LD9-1/4" +screws	1				1	10
13	41.0401.35	Valve housing -LD, 1/4FFF Bsp brass	1					5
14	41.0951.51	Shutter, LD Sst.	1					5
15	14.3643.00	Washer, 8,2x12x1,5 mm Cu	1					10

Pos.	P/N	Description	Q.ty	K1	K2	K3	K4	
16	10.3170.00	O-ring, 2,62x7,6 mm	1					10
17	29.0924.31	Groove nut, brass	1					10
18	16.1840.00	Screw, DIN7985 M4x14 mm z.pl.	1					10
19	29.0931.84	Knob, PA black	1					10
20	41.0408.31	Ring nut, M18x1,5 brass	1					5
21	10.4020.00	Back-up ring, 8x12,6x1,2 mm	1					10
22	41.0820.24	Clamp kit -LD9+tube prot. 1/4"+screw	1					1
23	40.5702.66	Tube, z.pl. 700mm straight 1/4MM Bsp	2					25
24	11.4513.05	Hex. nut M4	2					10
25	16.1855.00	Screw, DIN912 M4x20 mm z.pl.	2					10
26	41.0416.84	Semi-shell, 1/4" PA black	2					10
27	41.0418.81	Nozzle protection -LD, TPEs black	1					10
28	40.0007.61	Nozzle holder, 1/4F Bsp-1/4F Npt z.pl.	2					10
29	41.0956.24	Valve-Kit -LD9-LP, complete	1					1

Kit	P/N	Description	Q.ty
K1	41.0420.24	Repair kit -LD9, 3x10pcs.	1
K2	41.0419.24	Repair kit -LD9, 3x1pcs.	1