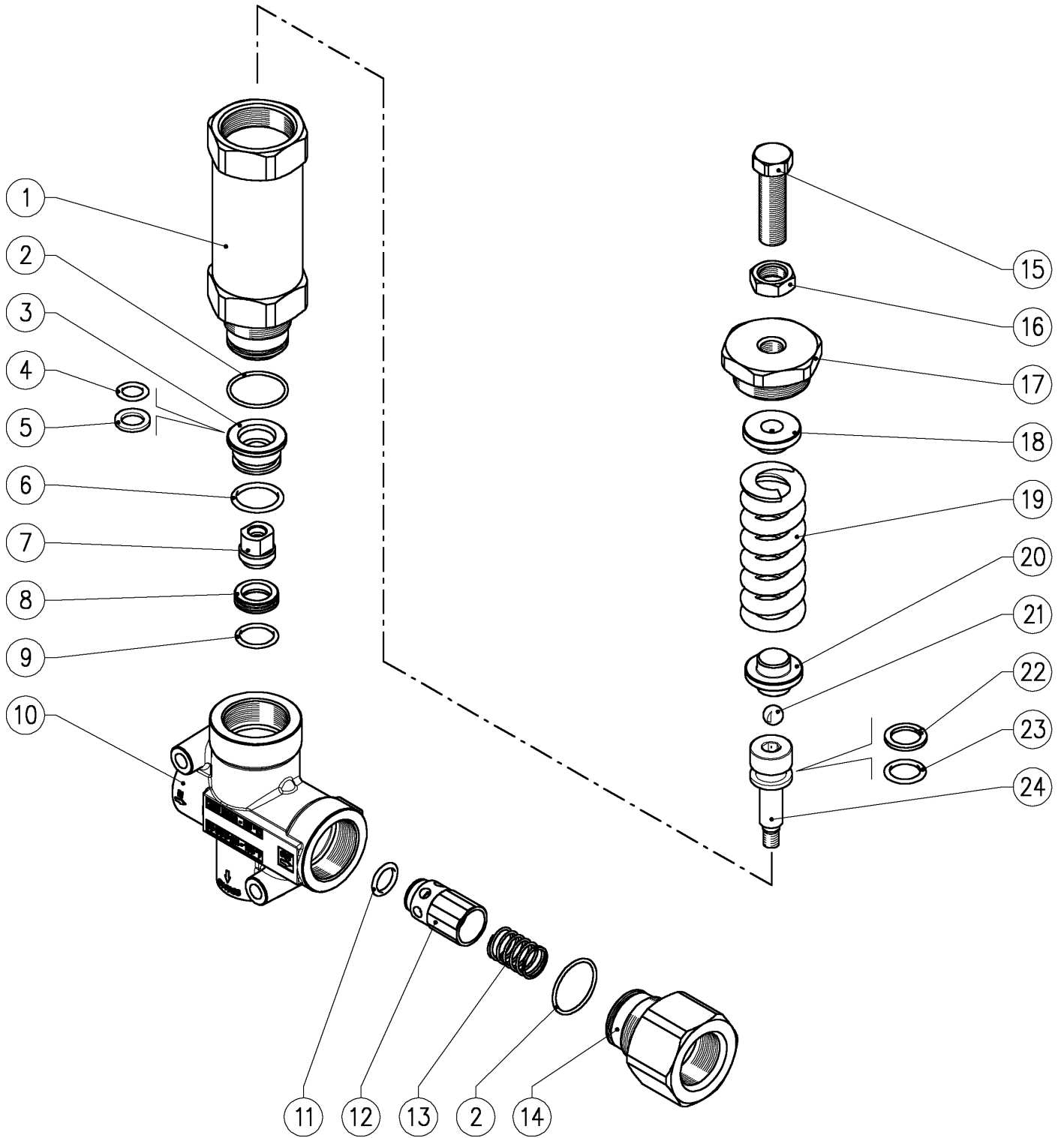





60.4300.00 VB200/280 unload. 1" F Bsp



| Pos. | P/N | Description | Q.ty | K1 | K2 | K3 | K4 |  |
|------|------------|---------------------------------------|------|----|----|----|----|--|
| 1 | 60.4301.31 | Piston housing, brass | 1 | | | | | 1 |
| 2 | 10.3077.08 | O-ring, 1,78x28,3 mm Ni 85 | 2 | • | | | | 10 |
| 3 | 60.5010.31 | Reduction bushing, brass | 1 | | | | | 2 |
| 4 | 10.3234.00 | O-ring, 3,53x10,69 mm | 1 | • | | | | 10 |
| 5 | 10.4080.00 | Back-up ring, 12x18,2x2 mm | 1 | • | | | | 10 |
| 6 | 10.3195.01 | O-ring, 2,62x20,29 mm Ni 90 | 1 | • | | | | 10 |
| 7 | 60.5003.51 | Shutter pin, M8 Sst. | 1 | • | | | | 3 |
| 8 | 60.5002.51 | Seat, 15,8x23x6 mm Sst. | 1 | • | | | | 2 |
| 9 | 10.3072.01 | O-ring, 1,78x20,35 mm Ni 85 | 1 | • | | | | 10 |
| 10 | 60.4305.35 | Housing-VB200/280, 1"Bsp brass | 1 | | | | | 1 |
| 11 | 10.3314.00 | O-ring, 5,33x12,06 mm | 1 | • | | | | 10 |
| 12 | 60.5012.99 | Shutter pin, brass+or 5,33x12,06 mm N | 1 | | | | | 2 |

| Pos. | P/N | Description | Q.ty | K1 | K2 | K3 | K4 |  |
|------|------------|----------------------------------|------|----|----|----|----|--|
| 13 | 60.5013.51 | Spring, 1,3x18x29 mm Sst. | 1 | | | | | 10 |
| 14 | 60.4303.31 | Shutter coupl., 1"Bsp F brass | 1 | | | | | 1 |
| 15 | 60.4307.51 | Valve regulating screw, M14 sst. | 1 | | | | | 2 |
| 16 | 11.4760.00 | Hex. nut, M14 | 1 | | | | | 10 |
| 17 | 60.4302.31 | Upper plug, M40 brass | 1 | | | | | 1 |
| 18 | 60.4306.31 | Spring guide spacer, brass | 1 | | | | | 2 |
| 19 | 60.4308.61 | Spring 8x26x85mm | 1 | | | | | 3 |
| 20 | 60.4304.31 | Spring guide spacer, brass | 1 | | | | | 2 |
| 21 | 14.7461.00 | Ball, 13/32" Sst. | 1 | | | | | 10 |
| 22 | 10.4081.00 | Back-up ring, 15,8x22x2 mm | 1 | • | | | | 10 |
| 23 | 10.3237.00 | O-ring, 3,53x15,47 mm | 1 | • | | | | 10 |
| 24 | 60.5004.51 | Piston, M8 Sst. | 1 | | | | | 2 |

| Kit | P/N | Description |  |
|-----|------------|---------------------------------|---|
| K1 | 60.4309.24 | Spares kit -VB200/280, 10x1pcs. | 1 |