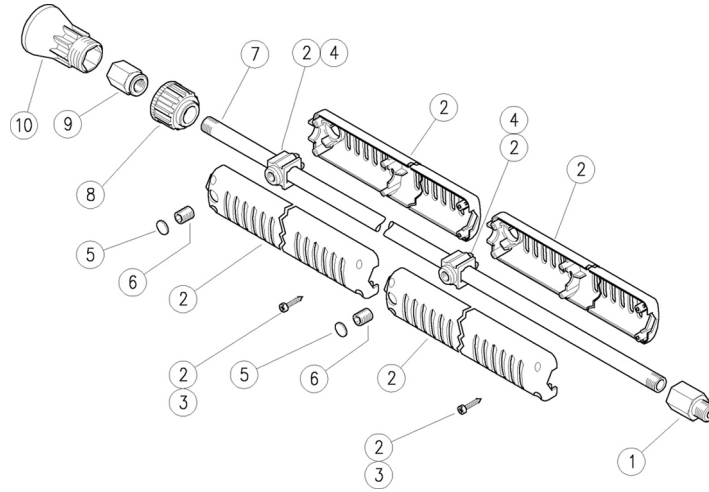


40.0258.00 S3 350 lan.1/4M Bspt 800mm sst str.-blue  
 40.0261.00 S3 350 lan.1/4M Bspt 1050mm sst str-blu.

40.0261.50 S3 350 lan.1/4M Npt 1050mm sst str.-blue



Pos.	P/N	Description	Q.ty	K1	K2	K3	K4	
1	40.0251.51	Coupl., 1/4F Bsp-1/4M Bspt Sst.	1					5
1	40.0252.51	Coupl., 1/4F Bsp-1/4M Npt Sst.	1					5
2	40.9998.98	Cas.-kit -S3-350 blue-fasten.al.	1-2					1
3	16.3077.00	S/tapping screw, DIN7981 3,5x18 mm	6-12					10
4	40.0304.41	Tube fastener, alum.	1-2					10
5	30.4553.84	Plug for grip, PA blue	1-2					10
6	16.2230.00	Set screw, DIN916 M10x8 mm z.pl.	1-2					10
7	40.8011.56	Tube,sst 800mm straight. 1/4MM Bsp	1					25
7	40.0028.56	Tube, 1/4Bsp MM 1050mm Sst.	1					10
8	40.0019.84	Ring nut, 24TpN3 PA blue	1					10
9	40.0007.51	Nozzle holder, 1/4F Bsp-1/4F Npt Sst.	1					10
10	40.0018.85	Nozzle protection, TPES blue	1					10