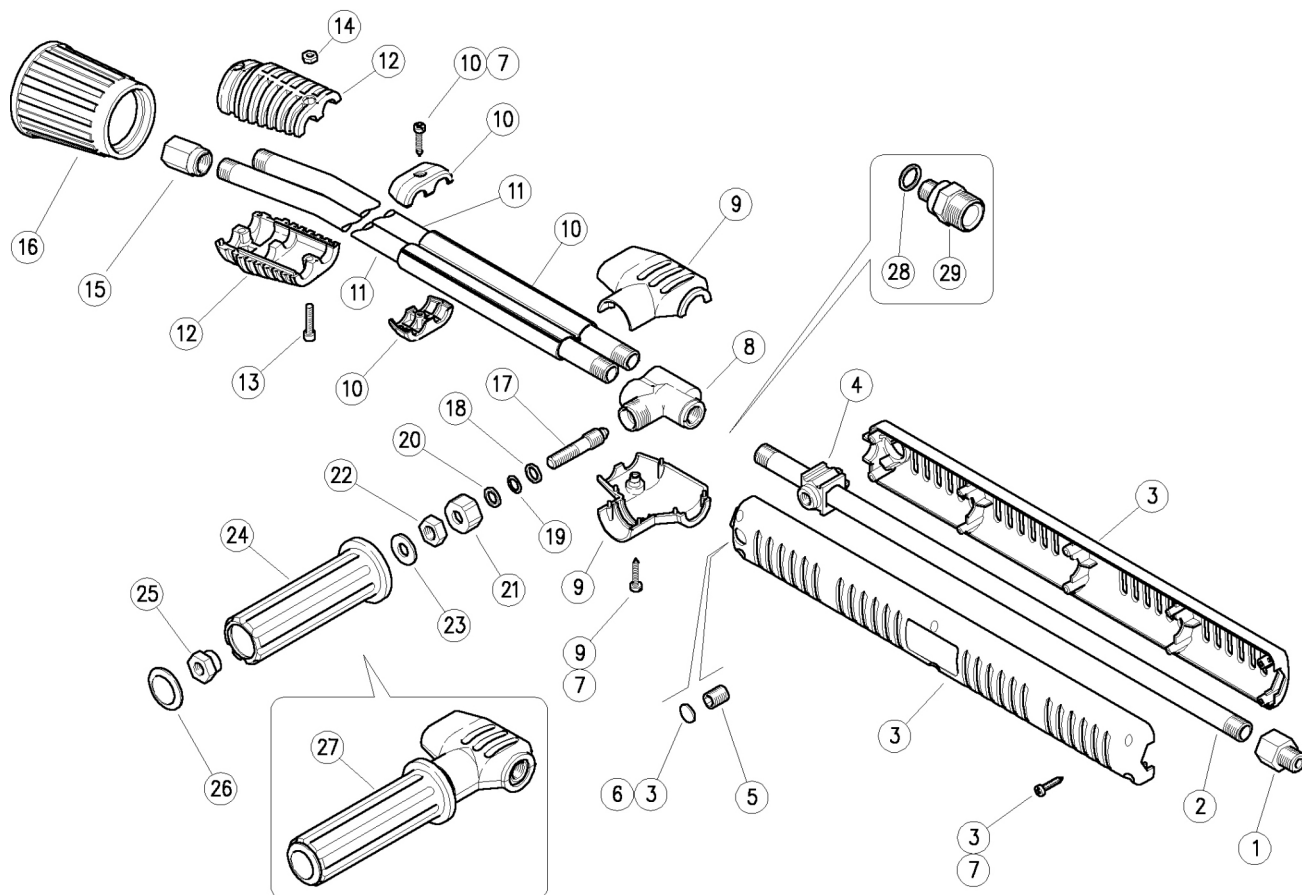


41.0800.00 LD9+S3 doubl.lan.1090mm 1/4z.pl+nzl/hold
 41.0900.00 LD9+S3 doubl.lan.1090mm 1/4sst+nzl/hold

41.0921.00 Extn.LD9 AR5 A 700mm 1/4sst+nzl/hold



| Pos. | P/N | Description | Q.ty | K1 | K2 | K3 | K4 |
|------|------------|--|------|----|----|----|----|
| 1 | 40.5008.31 | Reduct,brass 1/4M Bspt-1/4F Bsp | 1 | | | | 10 |
| 2 | 40.0314.56 | Tube, 1/4Bsp MM 377mm Sst. | 1 | | | | 10 |
| 3 | 40.0308.24 | Casing-kit -S3, black+screws+Lance Plug | 1 | | | | 1 |
| 4 | 40.0304.84 | Tube fastener, plast. | 1 | | | | 25 |
| 5 | 16.2230.00 | Set screw, DIN916 M10x8 mm z.pl. | 1 | | | | 10 |
| 6 | 40.0303.84 | Lance Plug, PA black | 1 | | | | 10 |
| 7 | 16.3077.00 | S/tapping screw, DIN7981 3,5x18 mm | 8 | | | | 10 |
| 8 | 41.0401.35 | Valve housing -LD, 1/4FFF Bsp brass | 1 | | | | 5 |
| 9 | 41.0424.24 | Casing-kit -LD9-1/4" +screws | 1 | | | | 1 |
| 10 | 41.0820.24 | Clamp kit -LD9+tube prot. 1/4"+screw | 1 | | | | 1 |
| 11 | 40.7711.56 | Tube,Sst. 700mm straight. 1/4MM Bsp | 2 | | | | 50 |
| 11 | 40.5702.66 | Tube, z.pl. 700mm straight 1/4MM Bsp (1) | 2 | | | | 25 |
| 12 | 41.0416.84 | Semi-shell, 1/4" PA black | 2 | | | | 10 |
| 13 | 16.1855.00 | Screw, DIN912 M4x20 mm z.pl. | 2 | | | | 10 |
| 14 | 11.4513.05 | Hex. nut M4 | 2 | | | | 10 |

| Pos. | P/N | Description | Q.ty | K1 | K2 | K3 | K4 |
|------|------------|--|------|----|----|----|----|
| 15 | 40.0007.61 | Nozzle holder, 1/4F Bsp-1/4F Npt z.pl. | 2 | | | | 10 |
| 16 | 41.0418.81 | Nozzle protection -LD, TPEs black | 1 | | | | 10 |
| 17 | 41.0406.51 | Shutter, LD Sst. | 1 | | | | 5 |
| 18 | 14.3643.00 | Washer, 8,2x12x1,5 mm Cu | 1 | | | | 10 |
| 19 | 10.3170.00 | O-ring, 2,62x7,6 mm | 1 | | | | 10 |
| 20 | 10.4020.00 | Back-up ring, 8x12,6x1,2 mm | 1 | | | | 10 |
| 21 | 41.0408.31 | Ring nut, M18x1,5 brass | 1 | | | | 5 |
| 22 | 11.4574.00 | Hex. nut, M8 | 1 | | | | 10 |
| 23 | 14.3572.00 | Washer, 8,4x21x1,5 mm | 1 | | | | 10 |
| 24 | 41.0409.84 | Knob, 32x115 mm PP black | 1 | | | | 5 |
| 25 | 41.0410.31 | Special nut, M8 brass | 1 | | | | 5 |
| 26 | 41.0411.84 | Plug, Knob PP black | 1 | | | | 5 |
| 27 | 41.0906.24 | Valve-Kit -LD9-1/4" Bsp, complete | 1 | | | | 3 |
| 28 | 14.3913.17 | Washer, 13x17x1,5 mm alu. (2) | 1 | | | | 10 |
| 29 | 26.1020.31 | AR5 A M22 screw-type npl.1/4M Bsp (2) | 1 | | | | 25 |

| Kit | P/N | Description | Q.ty |
|-----|------------|--------------------------------------|------|
| K1 | 41.0420.24 | Repair kit -LD9, 3x10pcs. | 1 |
| K2 | 41.0419.24 | Repair kit -LD9, 3x1pcs. | 1 |
| K3 | 41.0422.24 | Spares kit -LD9-1/4" trailing+screws | 1 |
| K4 | 41.0423.24 | Spares kit -LD9 - complete grip | 1 |

(1) 41.0800.00 (2) 41.0921.00