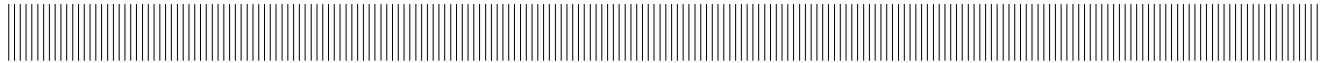


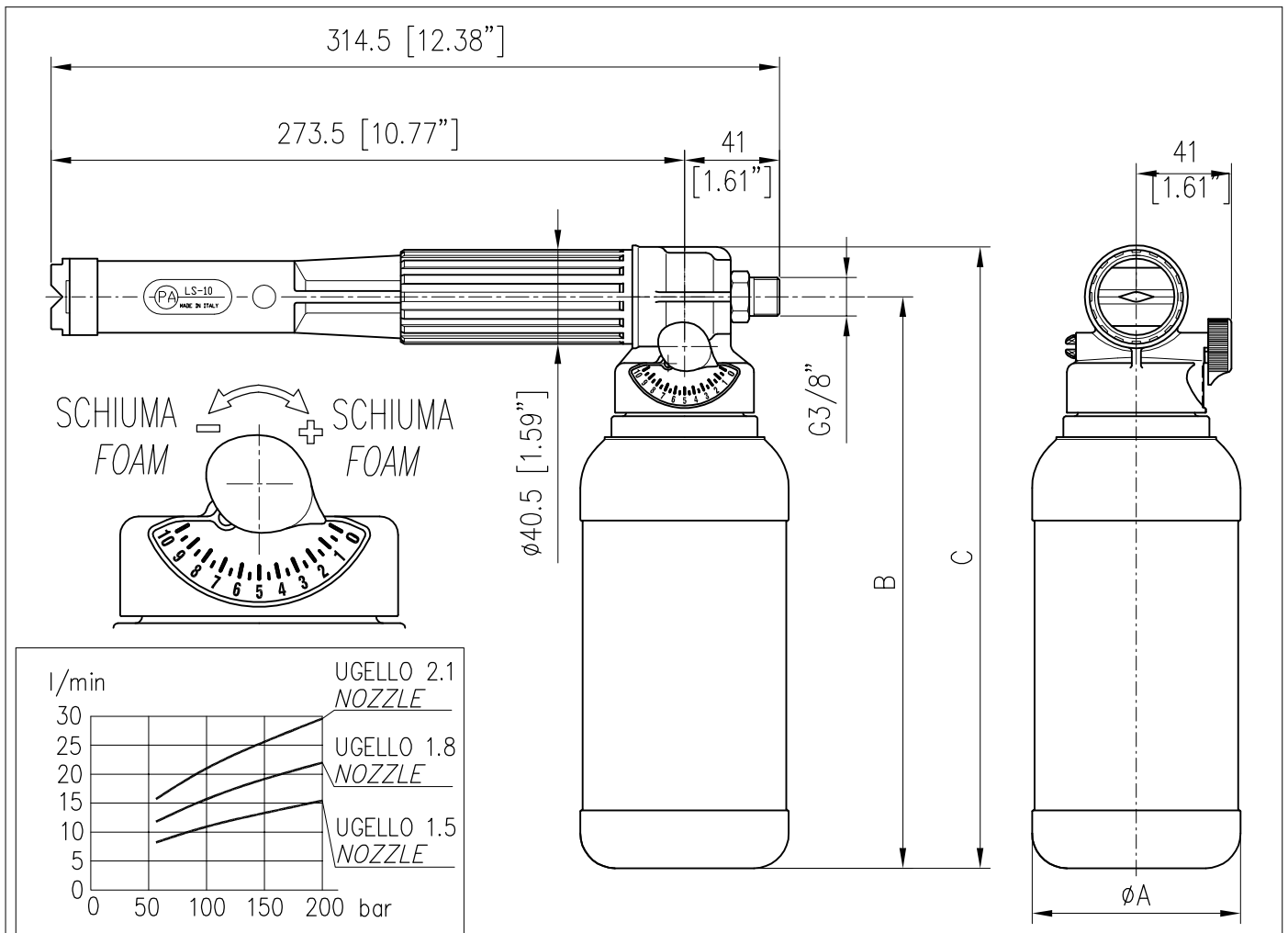
	EQUIPAGGIAMENTI TECNICI LAVAGGIO	LS 10 LANCIA SCHIUMA CON SERBATOIO FOAMER WITH TANK	① ② ③	3
			26/02/16	



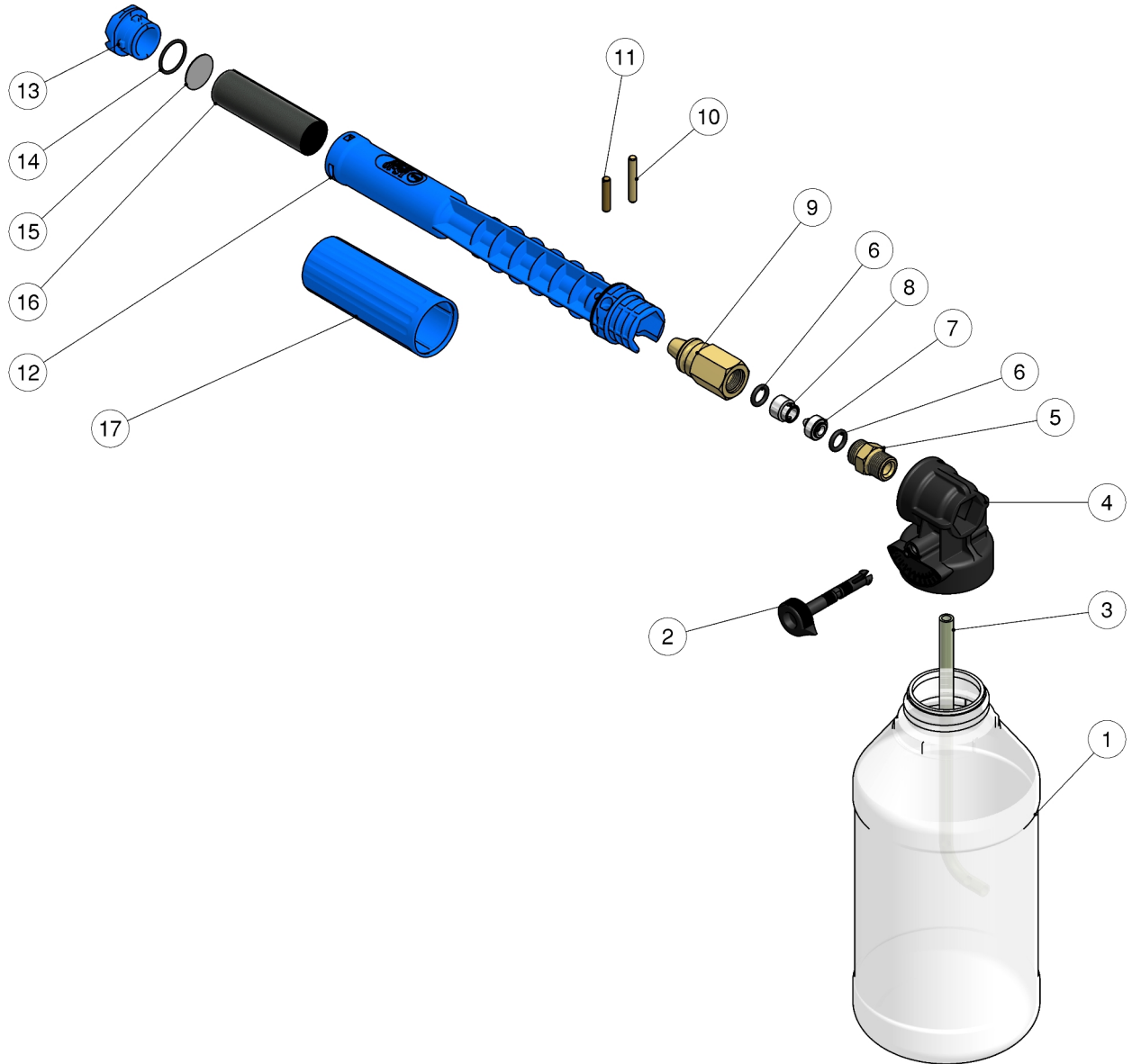
SPECIFICHE TECNICHE
SPECIFICATIONS

- PRESSIONE NOMINALE RATED PRESSURE	200 bar – 20 MPa (2900 psi)
- PRESSIONE CONSENTITA PERMISSIBLE PRESSURE	220 bar – 22 MPa (3200 psi)
- PORTATA MASSIMA MAX FLOW RATE	VEDI DIAGRAMMA SEE CHART BELOW
- TEMPERATURA MASSIMA MAX WORKING TEMPERATURE	60° C (140 °F)

MISURE D'INGOMBRO
OVERALL DIMENSIONS



CODICE CODE	UGELLO NOZZLE	A	B	C	SERBATOIO TANK
25.1865.65	ø1.5 [0.06"]	ø90 [3.54"]	247 [9.72"]	269 [10.6"]	1.1 [0.26 USG]
25.1868.65	ø1.5 [0.06"]	ø120 [4.72"]	287 [11.3"]	309 [12.16"]	1.2 [0.52 USG]



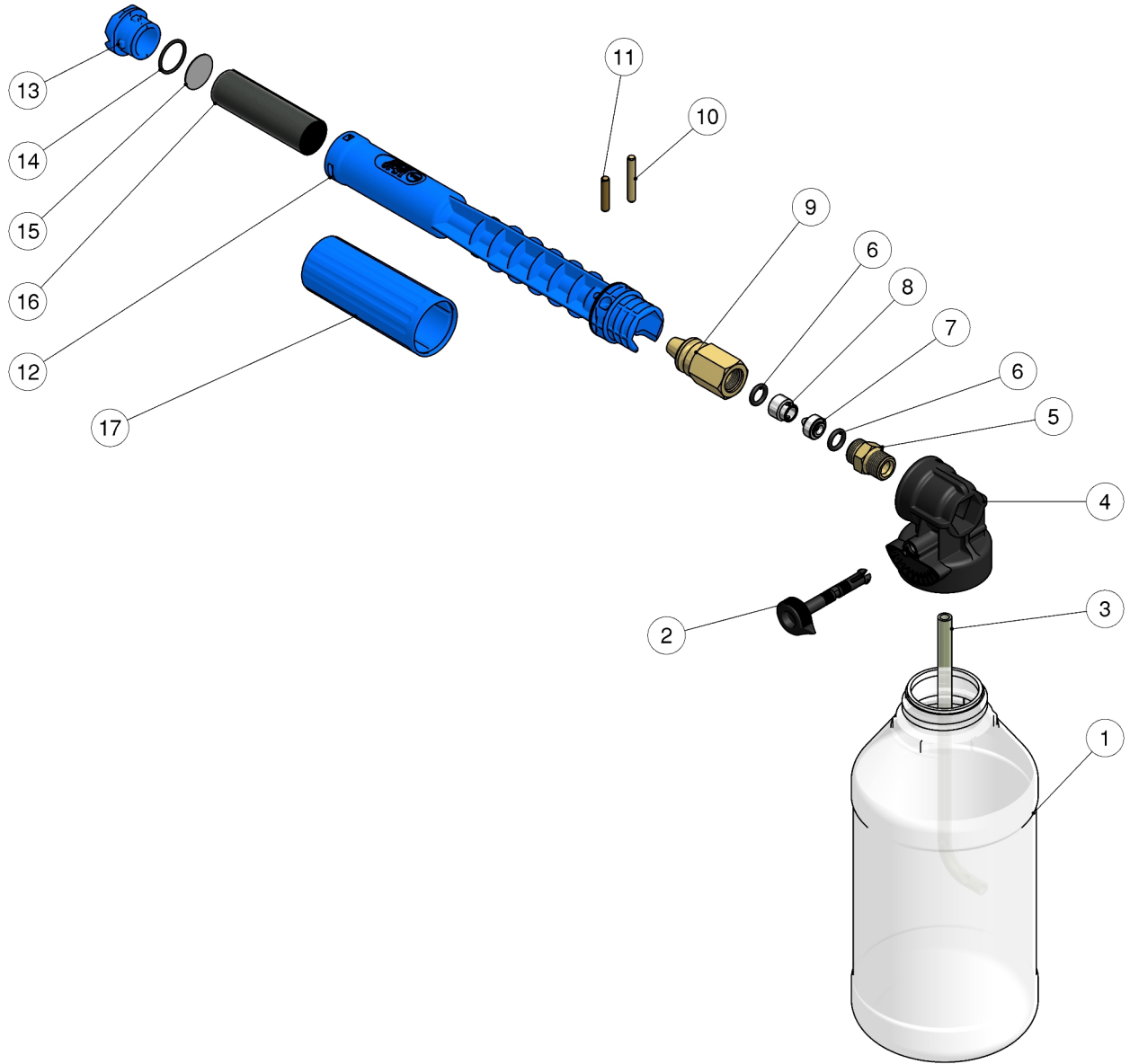
Pos.	Codice	Descrizione	Q.tà	K1	K2	K3	K4	
1	14.6507.00R	Serbat.L.2,0 tondo-bocca 45mm (1)	1					10
1	14.6506.25R	Serbat.L.1,0 tondo-bocca 45mm (v.2 (1))	1					10
2	25.1817.84R	Albero regolatore detergente	1					10
3	29.0852.85R	Tubo 6x9x270 mm PVC trasp. (1)	1					10
3	29.0822.85R	Tubo 6x9x230mm PVC trasp. (2)	1					10
4	25.1816.84R	Corpo porta bottiglia	1					5
5	13.5024.31R	Nipplo ott. G3/8MM	1					25
6	10.3174.00R	An.OR 2,62x9,93 mm	2					10
7	29.0806.51R	Ugello LS10 1,5 mm inox	1					5
8	29.0807.51R	Controugello inox	1					5

Pos.	Codice	Descrizione	Q.tà	K1	K2	K3	K4	
9	25.1839.31R	Corpo ott.dos.LS10 x portaserbat.	1					3
10	30.6416.31R	Spina cil. 5x34 mm ott.	1					5
11	30.0509.31R	Spina cil. 5x24,5 mm ott.	1					10
12	25.1838.85R	Corpo lancia LS10 plastica blu	1					5
13	25.1827.85R	Ugello ant. LS10 plastica blu v.2	1					10
14	10.3072.10R	An.OR 1,78x20,35 mm Vi 70	1					10
15	29.0802.53R	An. Diaframma 25x0,5 mm inox	1					10
16	29.0803.85R	Filtro PA	1					5
17	25.1828.84R	Copertura LS10 plastica blu (2)	1					5
17	25.1828.85R	Copertura LS10 plastica blu	1					5

(1) 25.1868.65 (2) 25.1865.65

25.1865.65 LS10 foamer 3/8M Bsp-1,5mm nzl+1L tank

25.1868.65 LS10 foamer 3/8M Bsp-1,5mm nzl+2L tank



Pos.	P/N	Description	Q.ty	K1	K2	K3	K4	
1	14.6507.00R	Tank,L.2,0 round-45 mm inlet (1)	1					10
1	14.6506.25R	Tank,L.1,0 round-45mm inlet (v.2 (1)	1					10
2	25.1817.84R	Detergent Adjusting Pin	1					10
3	29.0852.85R	Hose, 6x9x270 mm PVC transp. (1)	1					10
3	29.0822.85R	Hose, 6x9x230mm PVC transp. (2)	1					10
4	25.1816.84R	Tank holder	1					5
5	13.5024.31R	Nipple, brass 3/8MM Bsp	1					25
6	10.3174.00R	RO-ring, 2,62x9,93 mm	2					10
7	29.0806.51R	Nozzle -LS10, 1,5 mm Sst.	1					5
8	29.0807.51R	Counter-nozzle, Sst.	1					5

Pos.	P/N	Description	Q.ty	K1	K2	K3	K4	
9	25.1839.31R	LS 10 Injector body	1					3
10	30.6416.31R	Parallel pin, 5x34 mm brass	1					5
11	30.0509.31R	Parallel pin, 5x24,5 mm brass	1					10
12	25.1838.85R	Casing -LS10 plastic, blue	1					5
13	25.1827.85R	Front Nozzle LS10 plastic blue	1					10
14	10.3072.10R	RO-ring, 1,78x20,35 mm Vi 70	1					10
15	29.0802.53R	Diaphragm, 25x0,5 mm Sst.	1					10
16	29.0803.85R	Strainer, PA	1					5
17	25.1828.84R	Cover -LS10 plastic blue (2)	1					5
17	25.1828.85R	Cover -LS10 plastic blue	1					5

(1) 25.1868.65 (2) 25.1865.65



P.A. S.p.A.

Via Milano, 13
42048 Rubiera, Reggio Emilia - Italy

Tel +39.0522.623611
Fax +39.0522.629600

info@pa-etl.it

www.pa-etl.it



COMPANY WITH QUALITY MANAGEMENT
SYSTEM CERTIFIED BY DNV
= ISO 9001 =