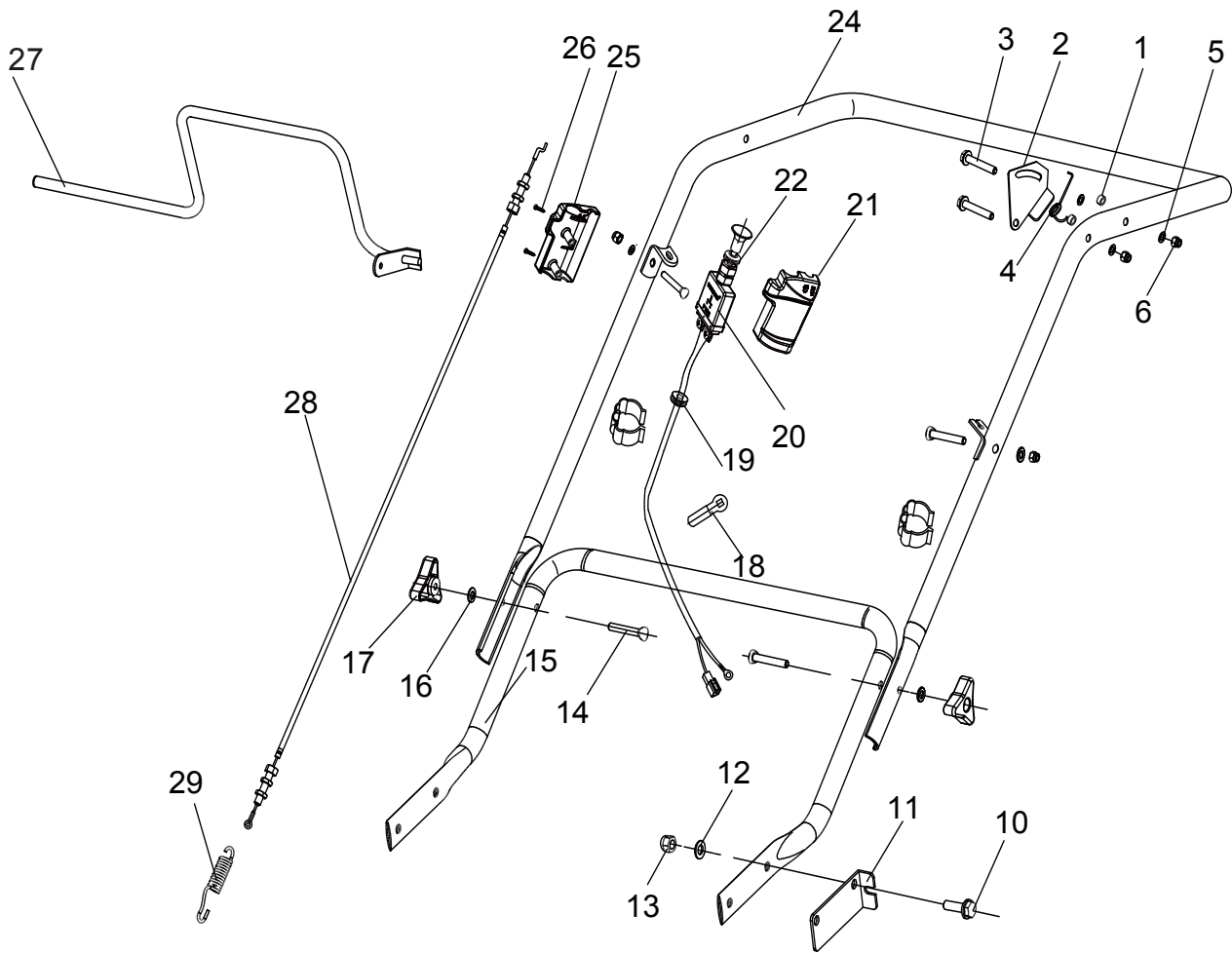


LGLC48 MACHINE PARTS BREAKDOWN

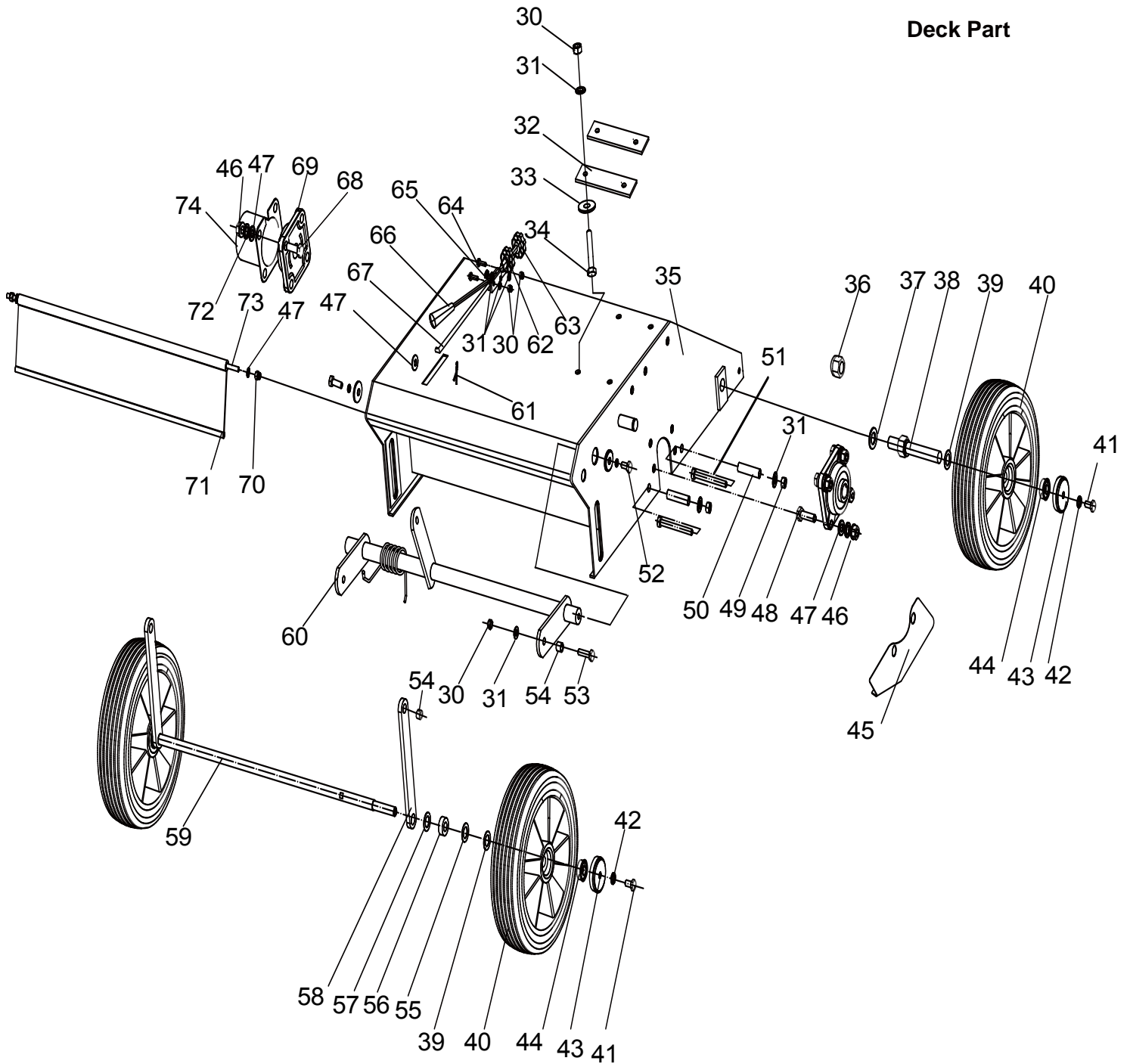
Handlebar Part



LGLC48 MACHINE PARTS BREAKDOWN

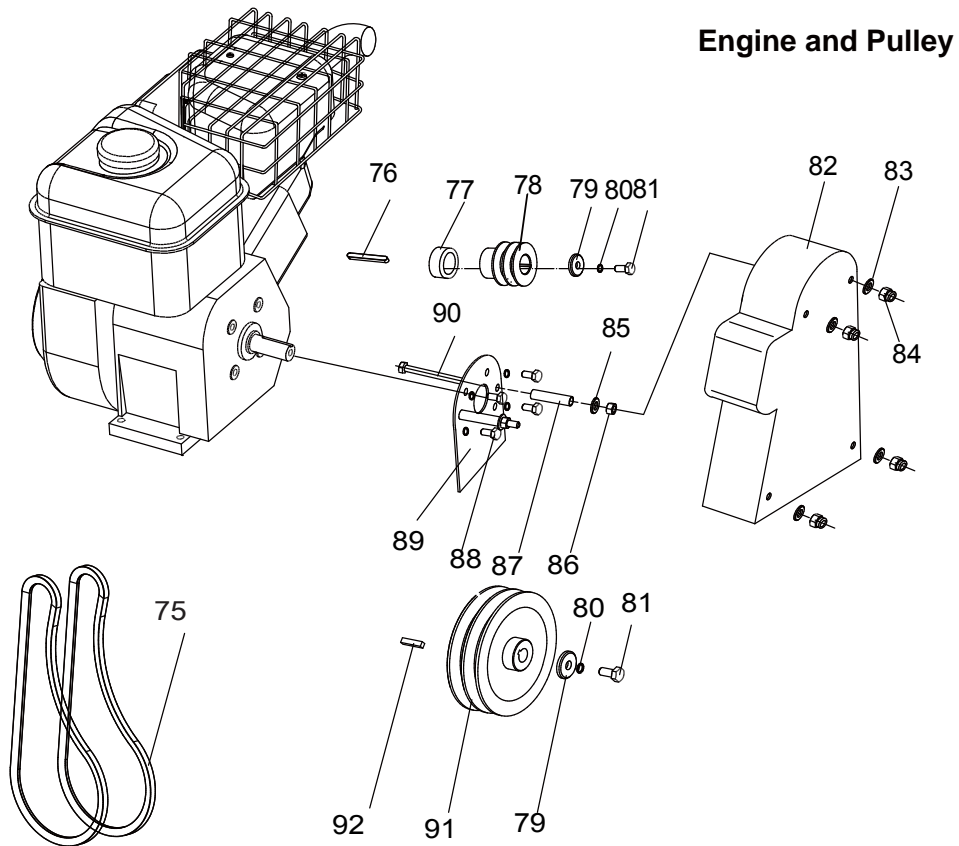
Number	Part number	Description	Quantity
1	LGLC48-01	Spacer	2
2	LGLC48-02	Stopper	1
3	LGLC48-03	Bolt	2
4	LGLC48-04	Spring	1
5	LGLC48-05	Spacer	3
6	LGLC48-06	Lock nut	2
7	LGLC48-07	Upper cable bracket	1
8	LGLC48-08	Cross head screw	1
9	LGLC48-09	Clip cable	1
10	LGLC48-10	Hexflange bolt	4
11	LGLC48-11	Lower cable bracket	1
12	LGLC48-12	Spacer	2
13	LGLC48-13	Lock nut	2
14	LGLC48-14	Screw 8 x 45	2
15	LGLC48-15	Lower handle	1
16	LGLC48-16	Washer	2
17	LGLC48-17	Knob	2
18	LGLC48-18	Clip	1
19	LGLC48-19	Rubber ring	1
20	LGLC48-20	Switch	1
21	LGLC48-21	Up Cover	1
22	LGLC48-22	Rubber Ring	1
23	LGLC48-23	Switch Bracket	1
24	LGLC48-24	Upper Handle	1
25	LGLC48-25	Under Cover	1
26	LGLC48-26	Screw Bolt	2
27	LGLC48-27	Clutch Handle Ass.	1
28	LGLC48-28	Clutch Cable	1
29	LGLC48-29	Tensional Spring	1

LGLC48 MACHINE PARTS BREAKDOWN



Number	Part number	Name_English	Quantity
30	LGLC48-30	Lock Nut	5
31	LGLC48-31	Spacer	6
32	LGLC48-32	Bracket	1
33	LGLC48-33	Big washer	4
34	LGLC48-34	Bolt	4
35	LGLC48-35	Rack Body	1
36	LGLC48-36	Lock Nut	2
H	LGLC48-37	UJ axle	6
38	LGLC48-38	Rear Wheel Axis	2
39	LGLC48-39	Spring Washer	4
40	LGLC48-40	Wheel 8"	4
41	LGLC48-41	Bolt	4
42	LGLC48-42	Spring Washer	4
43	LGLC48-43	Hub Cap	4
44	LGLC48-44	Bearing	8
45	LGLC48-45	Deflector	1
46	LGLC48-46	Lock Nut	8
47	LGLC48-47	Spacer	9
48	LGLC48-48	Bolt	4
49	LGLC48-49	Nut	2
50	LGLC48-50	Bush	2
51	LGLC48-51	Bolt	2
52	LGLC48-52	Hexflange Bolt	2
53	LGLC48-53	Hexflange Bolt	2
54	LGLC48-54	Bush	2
55	LGLC48-55	Spacer	2
56	LGLC48-56	Spacer 1	2
57	LGLC48-57	Spacer	2
58	LGLC48-58	Connecting Rod	2
59	LGLC48-59	Front Axis	1
60	LGLC48-60	Torque Arm Weld	1
61	LGLC48-61	Cotter Pin	1
62	LGLC48-62	Knob	1
63	LGLC48-63	Knob	1
64	LGLC48-64	Hexflange Bolt	2
65	LGLC48-65	Height Adjustment Handle	1
66	LGLC48-66	Handle Grip	1
67	LGLC48-67	Adjusting Rod	1
68	LGLC48-68	Bolt	4
69	LGLC48-69	Bearing Assembly	4
70	LGLC48-70	Lock Nut	2
71	LGLC48-71	Rear Deflector	1
72	LGLC48-72	Spring Washer	8
73	LGLC48-73	Deflector Axis	1
74	LGLC48-74	Axle Head Shield	1

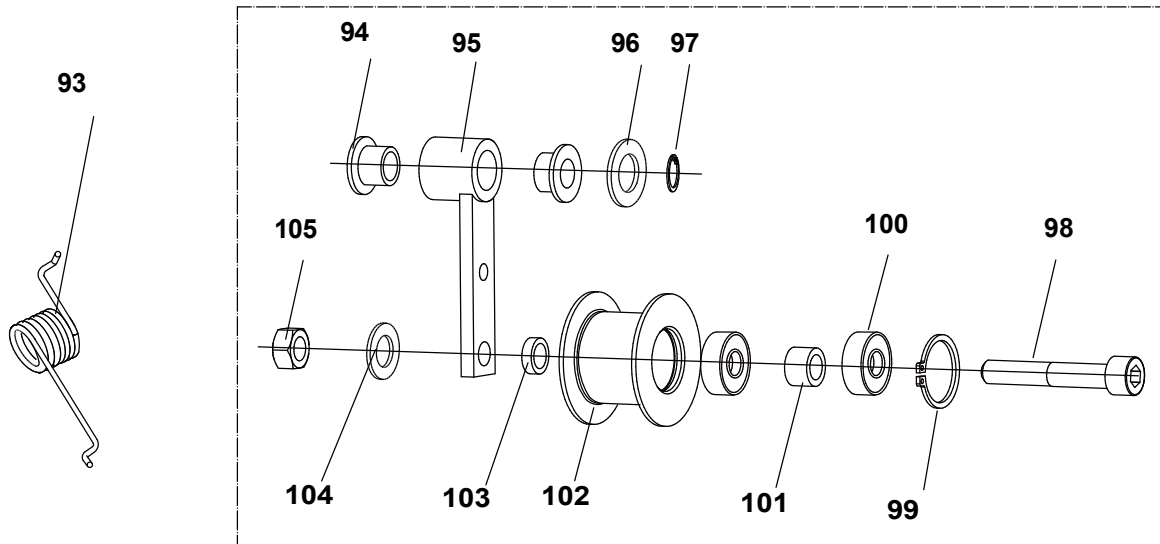
LGLC48 MACHINE PARTS BREAKDOWN



Number	Part number	Description	Quantity
75	LGCL48-75	Belt	2
76	LGCL48-76	Key	1
77	LGCL48-77	Spacer	1
78	LGCL48-78	Engine Pulley	1
79	LGCL48-79	Big Washer	2
80	LGCL48-80	Spring Washer	2
81	LGCL48-81	Bolt	2
82	LGCL48-82	Belt Shield	1
83	LGCL48-83	Spacer	4
84	LGCL48-84	Cap Nut	4
85	LGCL48-85	Spacer	12
86	LGCL48-86	Nut	2
87	LGCL48-87	Bush	2
88	LGCL48-88	Bolt	4
89	LGCL48-89	Engine Plate	1
90	LGCL48-90	Bolt	2
91	LGCL48-91	Big Pulley	1
92	LGCL48-92	Key	1

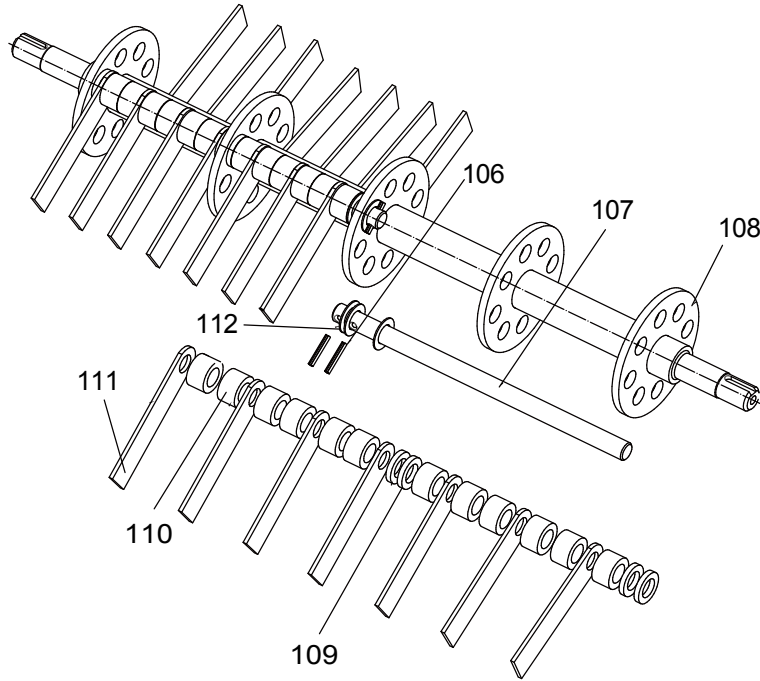
LGLC48 MACHINE PARTS BREAKDOWN

Tension Part



Order	Part number	Description	Quantity
93	LGCL48-93	Tensional Pulley Torsion	1
94	LGCL48-94	Nylon Bushing	2
95	LGCL48-95	Retening Arm	1
96	LGCL48-96	Spacer	1
97	LGCL48-97	Axis Check Ring	1
98	LGCL48-98	Inner Hex Screw	1
99	LGCL48-99	Check Rinf for hole	1
100	LGCL48-100	Ball Bearing	2
101	LGCL48-101	Bush I	1
102	LGCL48-102	Tension Pulley	1
103	LGCL48-103	Bush	1
104	LGCL48-104	Spacer	1
105	LGCL48-105	Lock Nut	1

LGLC48 MACHINE PARTS BREAKDOWN



**Blade
Assembly**

Order	Part number	Name_English	
106	LGCL48-106	Spring Pin	4
107	LGCL48-107	Blades Pivot	4
108	LGCL48-108	Rotor Weld Ass	1
109	LGCL48-109	Blade Bush 1	14
110	LGCL48-110	Blade Bush 2	48
111	LGCL48-111	Blade	28
112	LGCL48-112	Nylon Spacer	12



INFORMATION ON SAFETY DECALS

Below are the decals available for re-ordering to facilitate maintenance. All decals are available for replacement except that with the serial number of the unit for each number serves as a unique identifier for warranty and support purposes.

If you have any questions, please do not hesitate to contact Uniqup for further assistance.



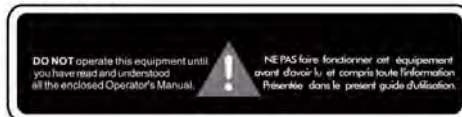
Service: Qty Required=1
PART No. L0106070



Engine: Qty Required=1
PART No. L0106040



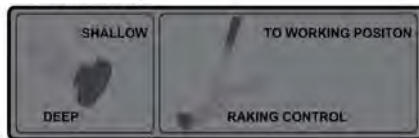
Danger: Qty Required=1
PART No. L0203000



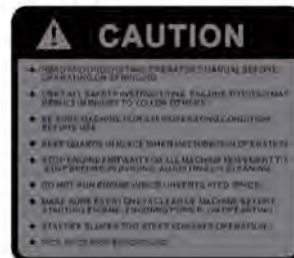
Operator: Qty Required=1
PART No. L0106060



Service: Qty Required=1
PART No. L0106080



Adjustment: Qty Required=1
PART No. 48RLP010



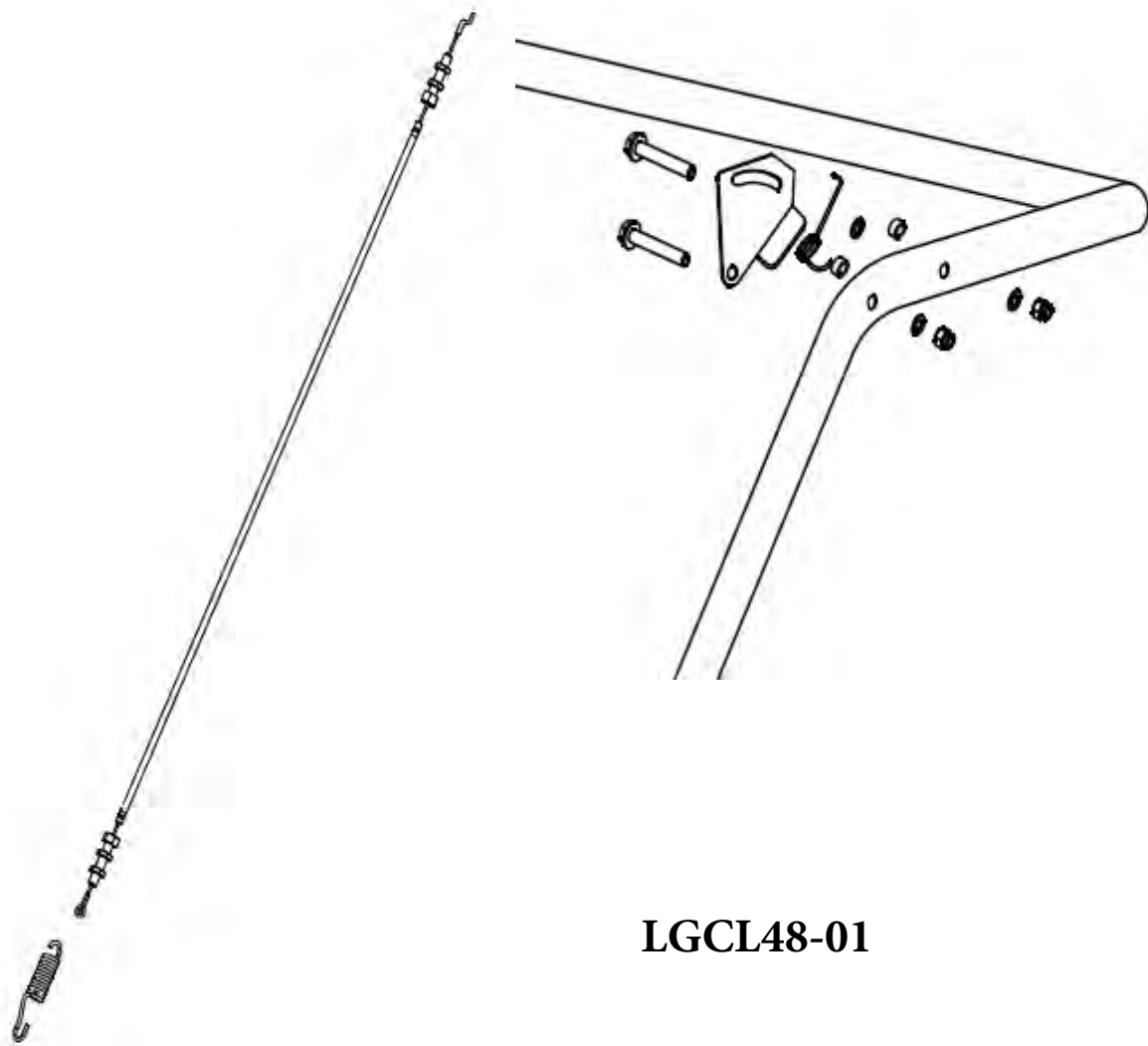
Caution: Qty Required=1
PART No. L0106090



Warning: Qty Required=1
PART No. 48RLP030

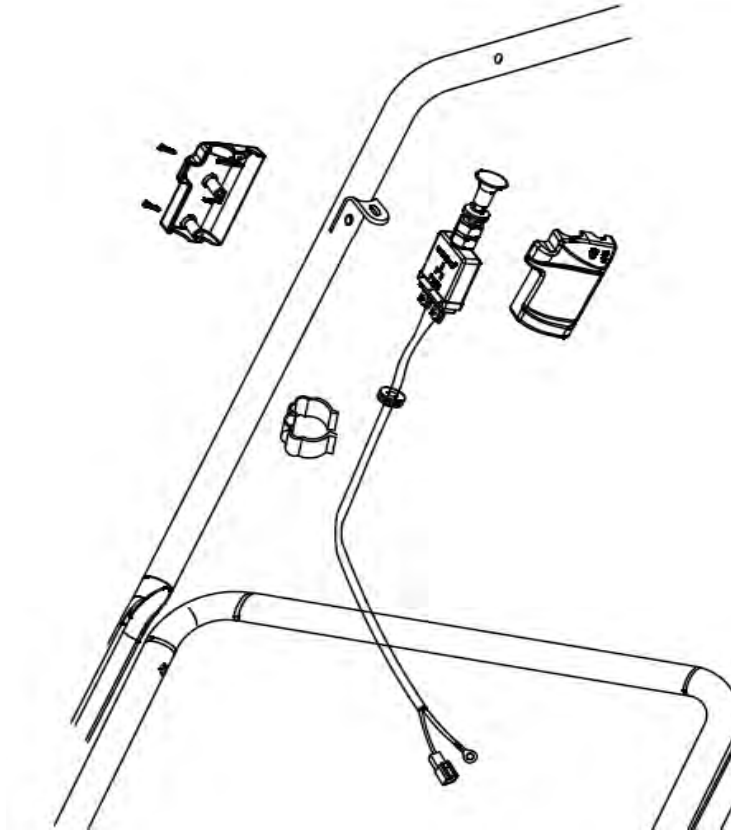


Logo: Qty Required=1
PART No. L0401050

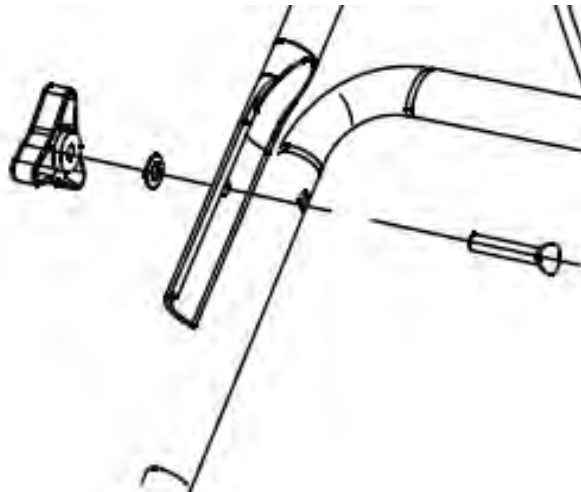


LGCL48-01

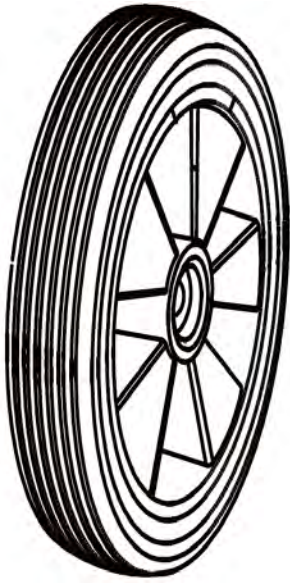
LGLC48-20



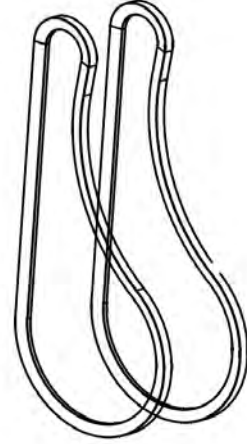
LGLC48-17



LGCL48-40



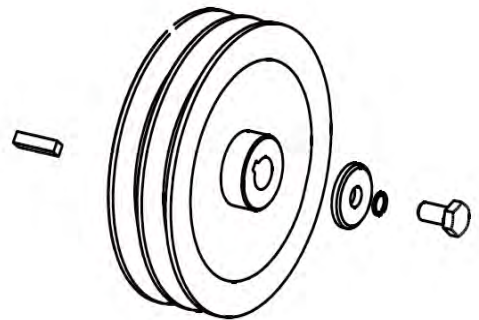
**LGCL48-75,
sold separately**



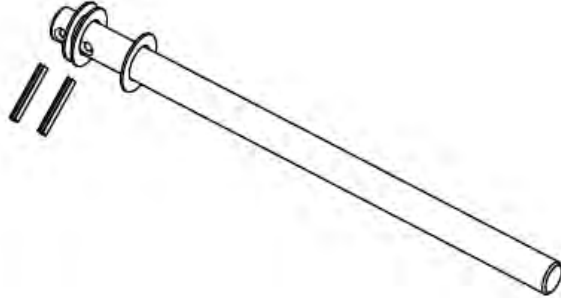
LGCL48-69



LGCL48-91



**Shaft Set (4) W/Spring pins
ENLC48-107**



**FLAIL BLADE (28)
LGCL48-111**



**Blade Bush (KIT OF 14)
LGCL48-109**



**Blade Spacer
(KIT OF 48)
LGCL48-110**

