



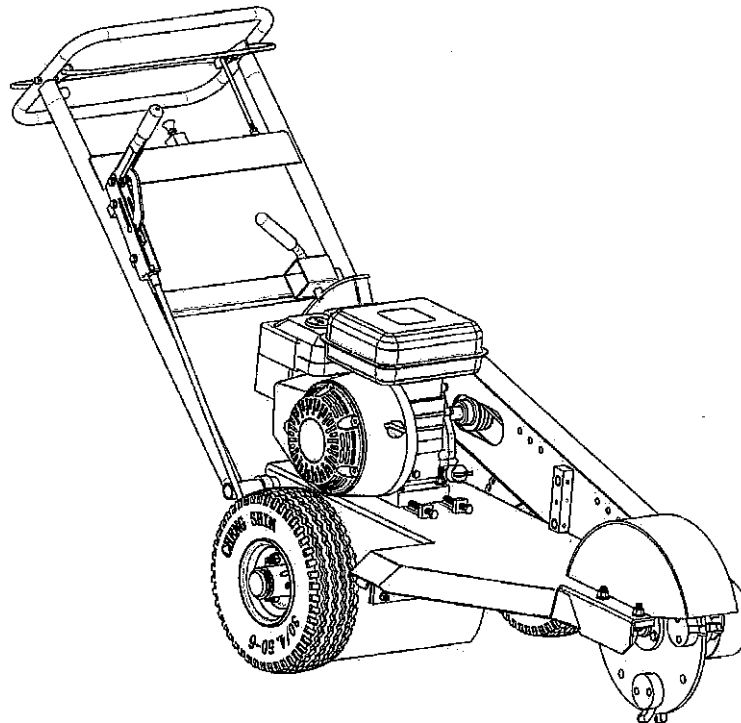
LGSG13HC

**Gas Powered Professional Stump Grinder
Operator's Manual**

3eme generation (red) – 2 belts

individuals/ pulley double

(Difference between 2 and 3, belt /pulley)

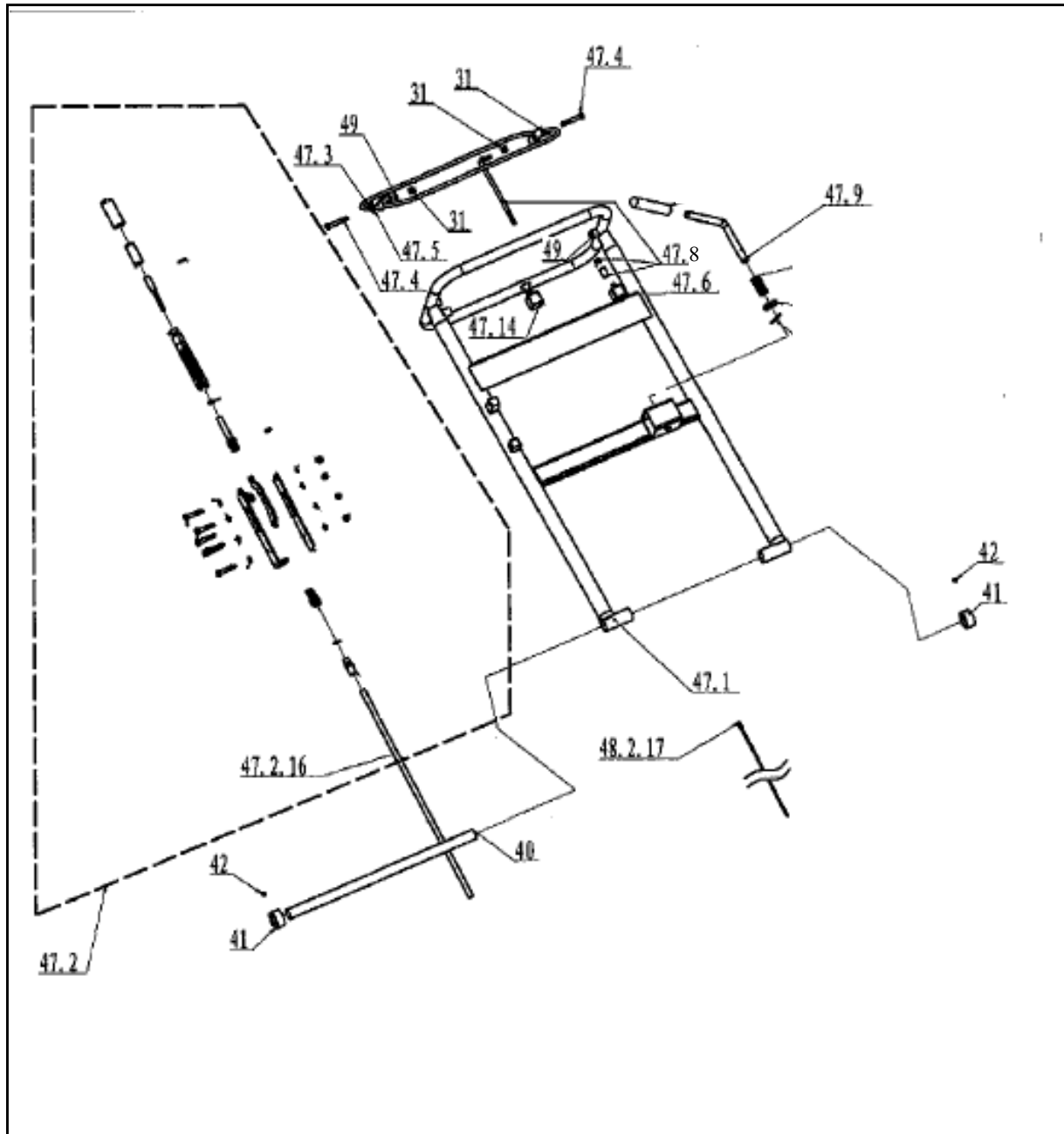


original instruction



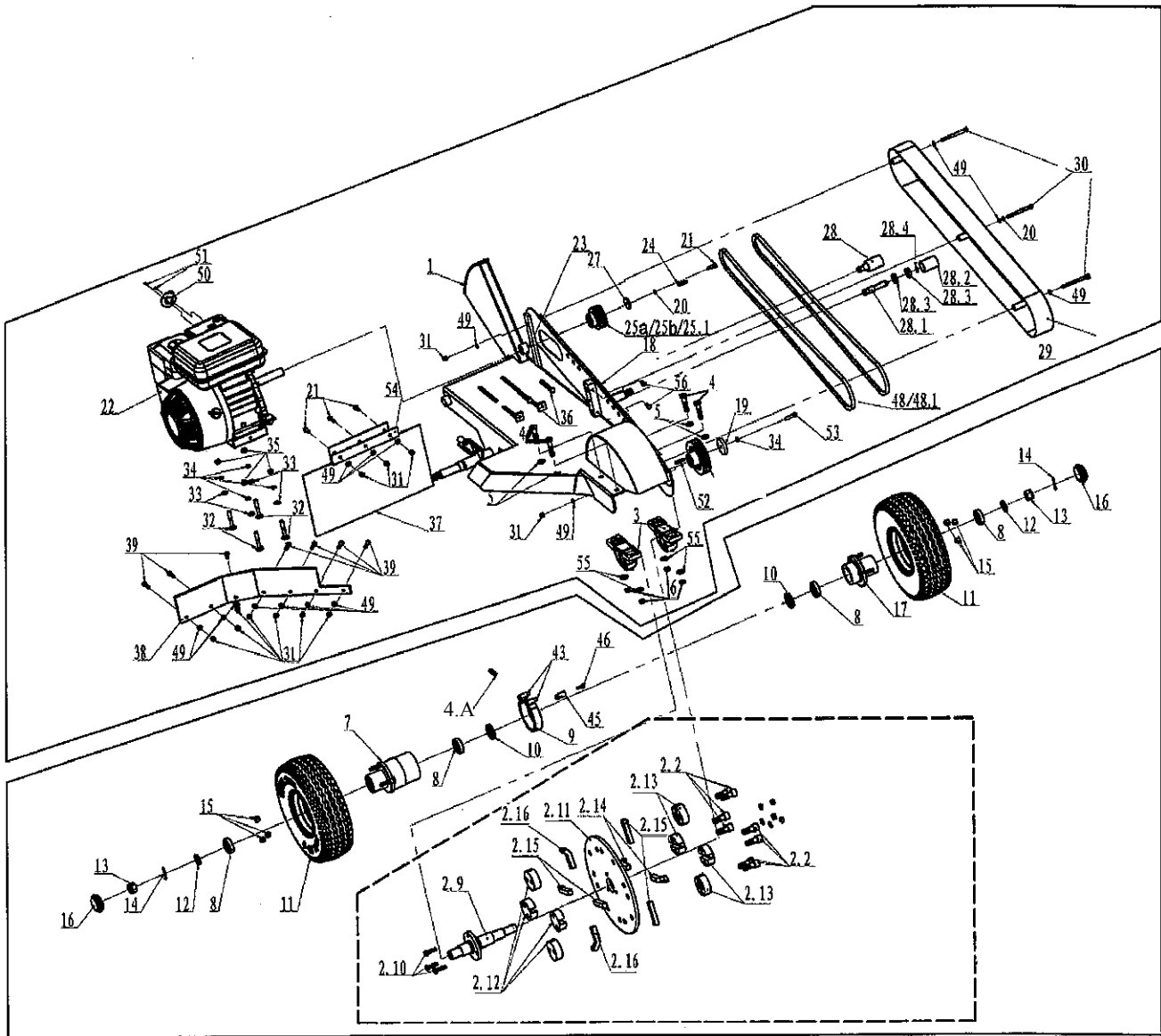
DO NOT operate this equipment until you have read and understood all the enclosed Operator's Manual.
READ ALL the sections in this manual **PRIOR** to attempting to service, maintain or operate this equipment. !

Copyright Uniguip 2013
All rights reserved.

Machine Parts Breakdown**LGSG13HC**

Machine Parts Breakdown

LGSG13HC



Parts List

	Description	QT	old part
ENSG13-1	Frame/chassi		
ENSG13-2.11	cutting disc	1	ENSG13-10130A
ENSG13-2.2	Inner hex bolt	8	ENSG13-16132
ENSG13-2.12	pocket, countersunk	4	ENSG13-16172
ENSG13-2.13	pocket, threaded	4	ENSG13-16171
ENSG13-2.14	Teeth, right hand	2	ENSG13-16174
ENSG13-2.15	teeth, straight	4	ENSG13-16173
ENSG13-2.16	Teeth, left hand	2	ENSG13-16175
ENSG13-2.17	KIT of 8 Teeth (4S/2r/2l)	1	ENSG13-16235
ENSG13-2.9	Cutter shaft / Spindle wheel (1	ENSG13-10185
ENSG13-2.10	Wheel Stud (hex bolt)	3	ENSG13-16118
ENSG13-3	Bearing, Pillow block	2	ENSG13-16135
ENSG13-4	Hex bolt for bearing pillow block (13-3)	4	ENSG13-16116
ENSG13-5	Washer (BEARING 13-3)	4	ENSG13-16140
ENSG13-6	HEX LOCK NUT (BEARING 13-3)	4	ENSG13-16121
ENSG13-7	brake drum/ LEFT	1	
ENSG13-8	Wheel Bearing	4	
ENSG13-9	Brake Band	1	ENSG13-16155
ENSG13-10	seal ring (wheel/bearing)	2	
ENSG13-11	wheel	2	
ENSG13-12	washer (wheel)	2	
ENSG13-13	hex nut (under hub cap)	2	
ENSG13-14	Cutter pin (for 13-13)	2	
ENSG13-15	nut for wheel hub (13-7 and 13-17)	6	
ENSG13-16	hub cap (plastique)	2	ENSG13-16165
ENSG13-17	bearing sheath/SIDE RIGHT	1	
ENSG13-18	belt cover	1	
ENSG13-19	washer (FOR PULLEY ,CUTTER SHAFT)	1	
ENSG13-20	spring washer	2	
ENSG13-21	hex bolt	4	
ENSG13-22	engine n/a see dealer	1	
ENSG13-23	spacer (BETWEEN BODY/PULLEY)	1	
ENSG13-24	key	1	
ENSG13-25.1	engine pulley, double, 2014 and up	1	

Parts List

	DESCRIPTION	Qt	
ENSG13-26.1	Pulley ,cutter shaft, double, 2014 an up	1	
ENSG13-27	Washer (for engine pully)	1	
ENSG13-28	Idler Bearing	2	ENS13-16133
ENSG13-28.1	Shaft (see ENSG13-28 ONLY)	2	
ENSG13-28.2	wheel (see ENSG13-28 ONLY)	2	
ENSG13-28.3	Bearing (see ENSG13-28 ONLY)	4	
ENSG13-28.4	check ring (see ENSG13-28 ONLY)	2	
ENSG13-29	Belt cover	1	
ENSG13-30	Hex bolt	3	
ENSG13-31	Hex lock nut	19	
ENSG13-32	Square neck Bolt	4	
ENSG13-33	Washer	7	
ENSG13-34	Spring Washer	5	
ENSG13-35	Nut	4	
ENSG13-36	Hex bolt	2	
ENSG13-37	Rear deflector	1	
ENSG13-38	Front deflector	1	
ENSG13-39	Hex Bolt (for front deflector)	7	
ENSG13-40	Handle pivot /Connector bar	1	
ENSG13-41	Spacer (for connector bar 13-40)	2	
ENSG13-42	Inner hex lock screw (for spacer 13-41)	2	
ENSG13-43	Brake spring pin (FOR 13-9)	2	ENSG13-10079
ENSG13-4A	Brake spring (FOR 13-9)	1	ENSG13-16157
ENSG13-45	Brake cable clamp	1	ENSG13-16159
ENSG13-46	Hex bolt	1	
ENSG13-47	Handle assembly with bracket /cable	1	ENSG13-10094
ENSG13-47.1	Handle	1	
ENSG13-47.2	Wheel brake handle assembly	1	ENSG13-16148
ENSG13-47.2.16	Outer brake housing	1	ENSG13-16150
ENSG13-47.2.17	Inner Brake Cable	1	ENSG13-16149
ENSG13-47.3	Control lever	1	
ENSG13-47.4	Hex bolt	2	
ENSG13-47.5	Spring (HANDLE)	1	ENSG13-10303
ENSG13-47.6	Swith MICRO	1	ENSG13-16357

Parts List

	DESCRIPTION	Qf	Old Part
ENSG13-47.8	Switch linkage Assembly	1	ENSG13-10301
ENSG13-47.9	Pin kit	1	
ENSG13-47.10	Spring (see 47.9)	1	
ENSG13-47.11	Washer (see 47.9)	1	
ENSG13-47.12	Cutter pin (see 47.9)	1	
ENSG13-47.13	Grip (see 47.9)	1	
ENSG13-47.14	Swith stop+ knob	1	ENSG13-16144N
ENSG13-47.15	Nut	1	
ENSG13-48.1	Belt (2 singles belt)	1	
ENSG13-49	Washer	25	
ENSG13-50	Elbow	1	
ENSG13-51	Cross slot ST screw	2	
ENSG13-52	Key	1	
ENSG13-53	Hex bolt	1	
ENSG13-54	Clamp	1	
ENSG13-55	Washer 1/2 -(ENSG13-3 BEARING)	4	
ENSG13-56	Hex Bolt	2	
ENSG13-57	Tooth Gauge		ENSG13-10173A