



KD7000VR

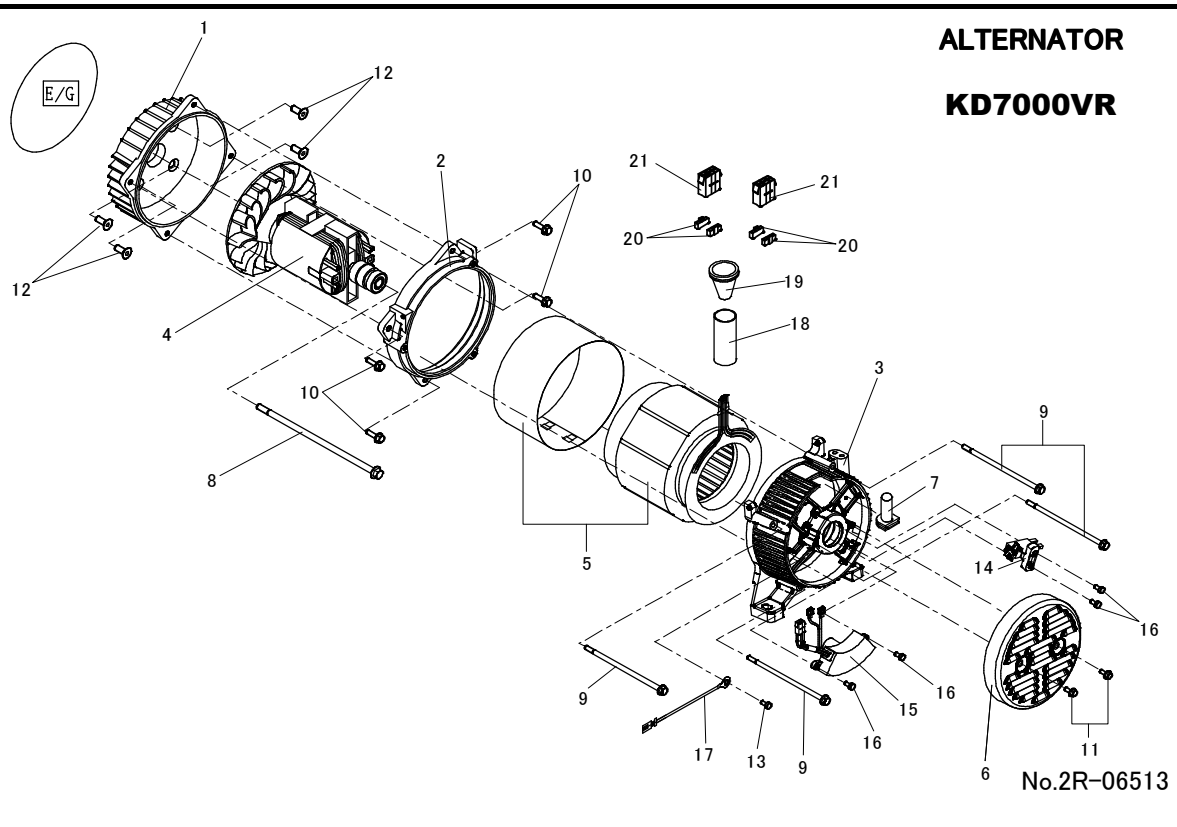
Parts Break Down

Dynablast Division of John Brooks Company Limited

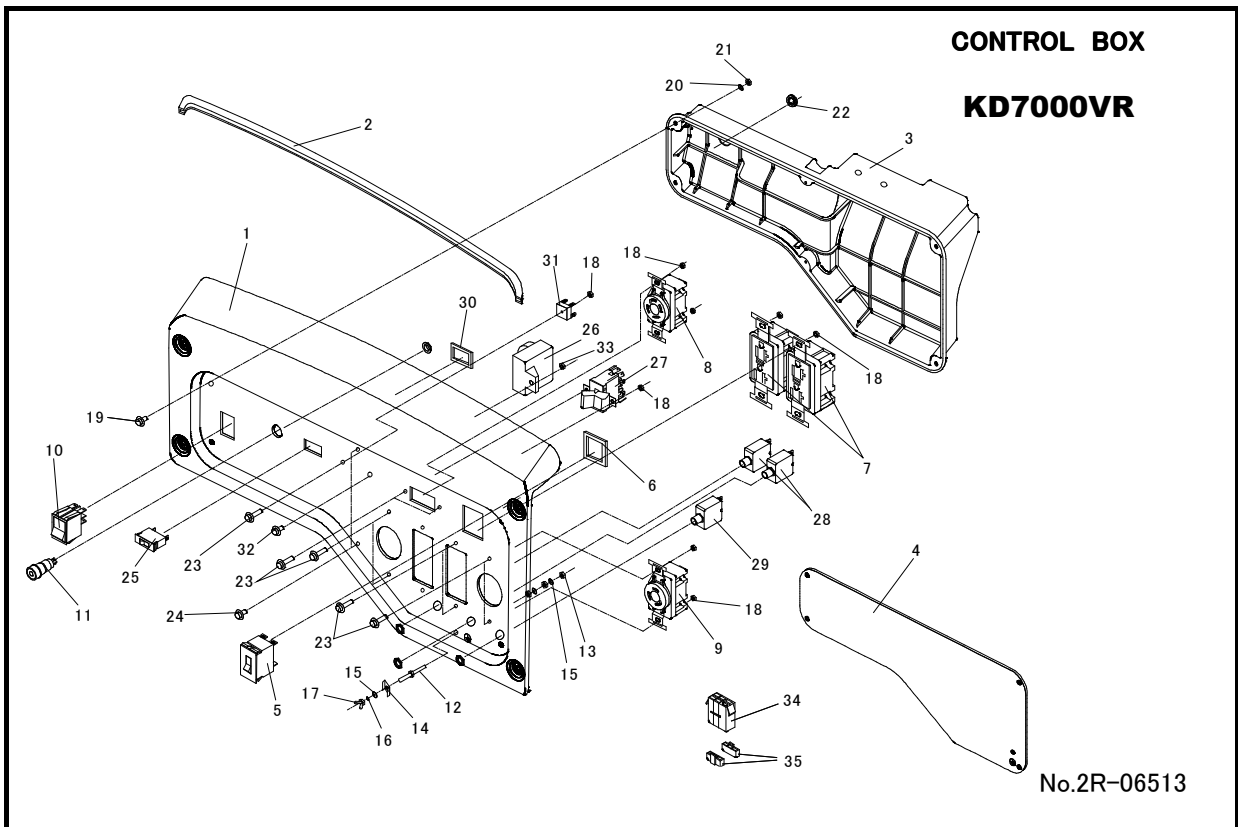
2625 Meadowpine Blvd, Mississauga, Ontario L5N 7K5
Ontario/Québec/Maritimes Tel: 888-881-6667 Fax: 800-350-5666
Alberta/Manitoba/Sask/B.C. Tel: 800-527-8592 Fax: 800-661-3719
www.dynablast.ca

ALTERNATOR

KD7000VR



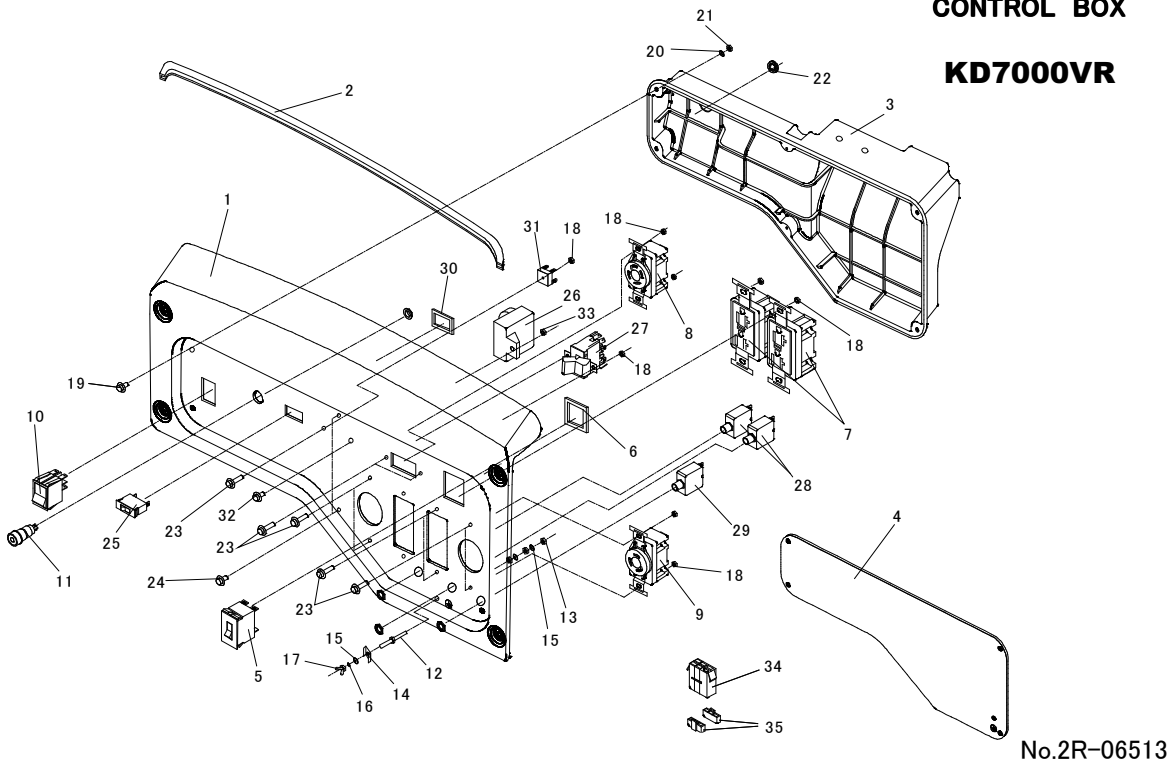
REF No.	Parts No.	Parts name	Q'ty	Remarks
1	KD15411460000	BRACKET(1)	1	
2	KD15311462000	N-BRACKET	1	
3	KD15150097000	BRACKET(2)	1	
4	KD15200405002	ROTOR ASSY.	1	
5	KD15250521002	STATOR ASSY.	1	
6	KD15301253000	COVER, BRACKET	1	
7	KD15350550000	RUBBER BUSH	1	
8	KD15550200000	HEX, BOLT W/FLANGE (M10-295)	1	
9	KD15550191000	HEX, BOLT W/FLANGE (M6-195)	4	
10	KD15550476000	HEX, BOLT W/FLANGE (M8-20)	4	
11	KD15550240000	HEX, BOLT W/FLANGE (M5-20)	2	
12	KD19B50908020	HEX, BOLT W/ SOCKET, FLANGE (M8-20)	4	
13	KD19S00905007	CROSS-RECESSED HEAD SCREW (M5-7)	1	
14	KD15400197000	BRUSH	1	
15	KD15400230001	AVR UNIT	1	
16	KD15550211000	HEX, BOLT W/FLANGE (M5-16)	4	
17	KD15501741000	BONDING WIRE	1	
18	KD15350107000	PVC-THUBU (CSA)	1	
19	KD15321880130	GROMMET PANEL LEAD #2	1	
20	KD15400162000	RETAINER	4	
21	KD15400156000	CONNECTOR 6P	2	
	KD15601760004	ROTOR ASSY. STATOR ASSY. 7000VF	1	Complete



REF No.	Parts No.	Parts name	Q'ty	Remarks
1	KD15302248000	CONTROL PANEL	1	
2	KD15350596000	RUBBER, CONTROL	1	
3	KD15350680010	CONTROL BOX	1	
4	KD15452148000	PANEL,LABEL	1	
5	KD15400103000	CURCUIT BREAKER 25A	1	
6	KD15301081001	SPACER	1	
7	KD15400104000	RECEPTACLE 20A, 125V , GFCI	2	
8	KD15400106000	RECEPTACLE 30A, 125/250V	1	
9	KD15400105000	RECEPTACLE 30A, 125V	1	
10	KD15400253000	ENGINE SWITCH	1	
11	KD85111573300	NEON BRACKET , 125V	1	
12	KD15550168001	STUD BOLT	1	
13	KD15550329000	HEX,NUT W/FLANGE (M5)	3	
14	KD15301979000	CAP WASHER (M5)	1	
15	KD15550333000	FLAT WASHER (M5)	3	
16	KD15550334000	LOCK WASHER (M5)	1	
17	KD15550335000	WING NUT (M5)	1	
18	KD15550269000	HEX,NUT W/FLANGE M4	11	
19	KD15550185000	CROSS RECESSED HEAD SCREW (M5-15)	4	
20	KD15550216000	LOCK WASHER (M5)	4	
21	KD15550215000	HEX,NUT W/FLANGE (M5)	4	
22	KD15350598000	GROMMET	1	
23	KD19SF4904014	CROSS RECESSED HEAD SCREW (M4-14)	11	
24	KD19S21904012	SCREW, SELF TAP M4-12	2	
25	KD15400108000	SWITCH,AUTO THROTTLE	1	
26	KD19600700660	CONTROL UNIT,AUTO THROTTLE	1	
27	KD15400143000	SWITCH,VOLTAGE SELECTOR	1	
28	KD15400171000	CURCUIT BREAKER 20A	2	

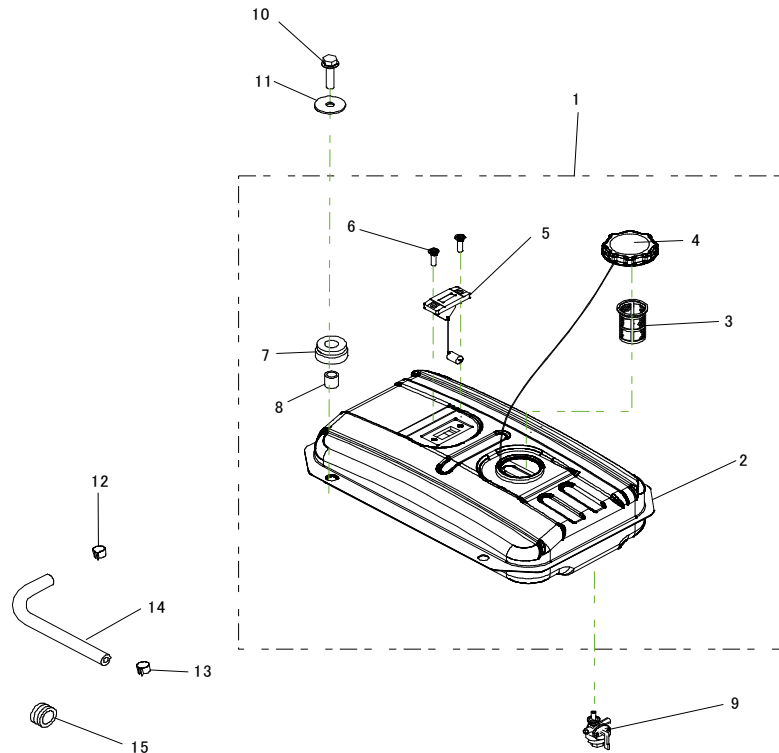
CONTROL BOX

KD7000VR



REF No.	Parts No.	Parts name	Q'ty	Remarks
29	KD15400173000	CURCUIT BREAKER 30A	1	
30	KD15301082001	SWITCH SPACER	1	
31	KD15400240000	BRIDGE DIODE	1	
32	KD19SF4906015	CROSS RECESSED HEAD SCREW (M6-15)	1	
33	KD19N10906000	HEX,NUT W/FLANGE M6	1	
34	KD15400157000	CONNECTOR 6P	2	
35	KD15400162000	RETAINER	4	

FUEL TANK
KD7000VR

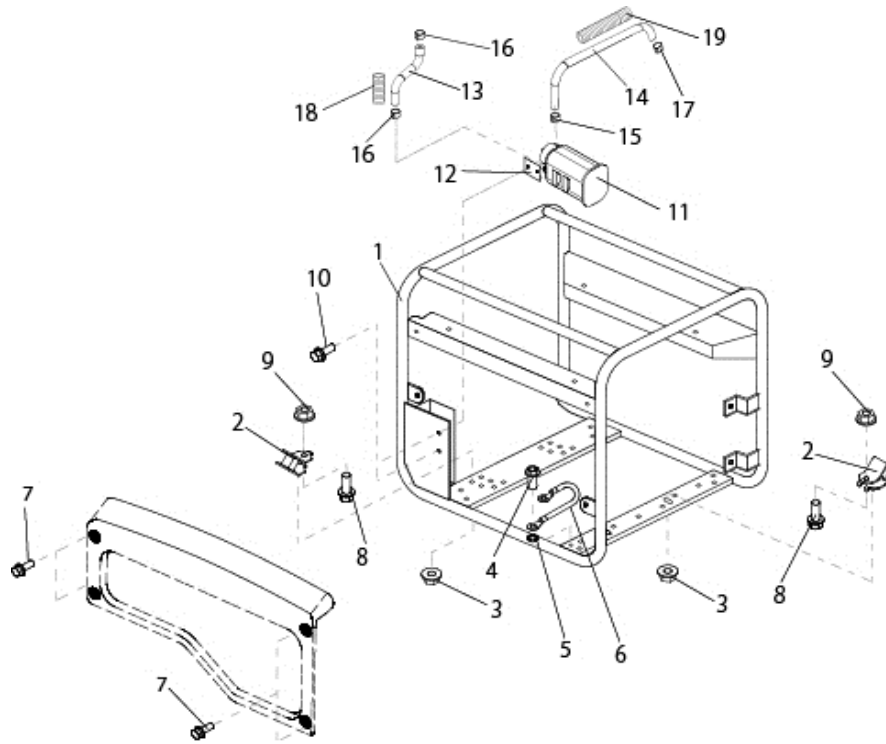


No.2R-06513

REF No.	Parts No.	Parts name	Q'ty		Remarks
1	KD15601682010	FUEL TANK (RED) COMP.	1		
2	KD15301982010	FUEL TANK (RED)	1		
3	KD15350580001	FILTER COMP., FUEL	1		
4	KD15302001000	CAP COMP., FUEL FILLER WITH CHAIN	1		
5	KD15301674001	GAUGE ASSY., FUEL	1		
6	KD15550293001	SCREW (M5-12)	2		
7	KD15321880100	RUBBER,TANK CUSHION	4		
8	KD15321670270	COLLAR,TANK CUSHION	4		
9	KD15150135001	FUEL VALVE	1		
10	KD19B30906025	HEX,BOLT W/FLANGE (M6x1.0-25)	4		
11	KD19W00906025	WASHER,TANK CUSHION (M6x25,1.6t)	4		
12	95002-40800-08	CRIP B8, TUBE	1	1	HONDA PART
13	KD15301192000	CRIP,TUBE	1	1	
14	KD15350696000	TUBE,FUEL (180mm)	1	1	
15	90854-ZB3-0002	RUBBER,FUEL TUBE	1	1	HONDA PART

FRAME

KD7000VR



No.2R-06513

REF No.	Parts No.	Parts name	Q'ty	Remarks
1	KD15302009000	FRAME	1	
2	KD200900520	ANTI-VIBRATION RUBBER	4	
3	KD203200010	HEX,NUT W/FLANGE(M8X1.25)	4	
4	KD19B30906012	HEX, BOLT W/FLANGE (M6×12)	1	
5	KD19W50906000	TOOTH LOCK WASHER(M6)	1	
6	KD15500377000	BONDING WIRE	1	
7	KD19SS6906016	BOLT, M6-16	4	
8	KD203000720	HEX, BOLT W/FLANGE (M10×45)	4	
9	KD203200020	HEX,NUT W/FLANGE(M10X1.25)	4	
10	KD19SS6906012	BOLT, M6-12	2	
11	KD15950138000	CARBON CANISTER (C-U-07-022)	1	
12	KD15950141000	STAY , CARBON CANISTER	1	
13	KD15350676000	TUBE , SURGE	1	
14	KD15350678000	TUBE , PURGE	1	
15	KD15302061000	CRIP , φ11.6	1	
16	KD15302060000	CRIP , φ10.0	2	
17	KD15302063000	CRIP , φ14.8	1	
18	KD15350703000	TUBE , CORRUGATE (320mm)	1	
19	KD15350702000	TUBE , CORRUGATE (800mm)	1	