

DRUM FAN
(BELT DRIVE)

OWNER'S MANUAL



MODELS

FE36
36" Barrel Fan

FE42
46" Barrel Fan

READ AND SAVE THESE INSTRUCTIONS

CAUTION: Read and follow all instructions before operating fan.
Do not use fan if any part is damaged or missing.

WARNING: To reduce the risk of fire or electrical shock, do not expose to water or rain.

To reduce the risk of fire or electrical shock, do not use this fan with any solid state speed control device.

Automatically operated device - To reduce the risk of injury, disconnect from power supply before servicing.

If the power supply cord is damaged, contact your local service center or a qualified electrician to install an appropriate replacement cord to prevent any injury or damage.

RULES FOR SAFE OPERATION:

1. Never insert fingers or any other objects through the grill guard when fan is in operation.
2. Disconnect the fan from its power source when moving from one location to another.
3. Disconnect the fan from its power source when removing guards for cleaning.
4. Be sure fan is on a stable, flat surface when in operation.
5. Do not use fan in windows. Rain and moisture may create electrical hazard.
6. Close supervision is necessary when this fan is used near children, the elderly and pets.
7. Do not place the fan near an open flame, cooking or heating appliance, or hot surface.
8. This fan should not be operated outside.

CAUTION: Do not alter the fan's assembly.

WARNING: Be sure that both front and rear guard screws are completely tightened in locking position before operation.

OPERATING INSTRUCTIONS:

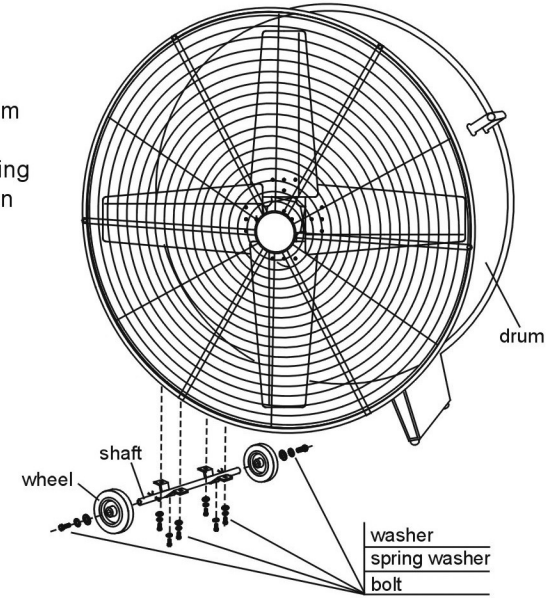
SPEED CONTROL: Select air speed by setting switch to either HIGH or LOW.

It is normal for the motor to feel warm to touch after continuous operation.

This fan features a thermostat that will automatically shut off should it overheat for any reason. If this happens, immediately unplug the fan from the outlet.

WHEEL ASSEMBLY INSTRUCTIONS:

1. Assemble wheel to drum as shown on figure.
2. Insert with washer, spring washer and bolt, tighten firmly.



CLEANING:

WARNING: Unplug from electrical supply source before cleaning:

1. Use soft damp cloth to clean machine, then wipe with dry cloth.
2. Do not use a cleaning solution that is harmful to paints or plastics.
3. Do not bend the blades.
4. The motor bearings are permanently sealed and do not require additional lubrication.

IMPORTANT: surges in electrical power or excessive heat may cause the fan to turn off. Wait approximately 15 minutes for the fan to resume operation.

MODEL	Watts (W)		Amps (A)		Volts
	Low	High	Low	High	
FE31	450	560	4.0	5.0	120V~ 60Hz
FE42	650	735	5.6	6.5	

MODELS

FE36: 36" BARREL FAN

FE42: 42" BARREL FAN

