

N700

SPRING REWIND REELS

To handle 1/4" through 1/2" I.D. hose.

- Standard N Series has a narrow frame and compact mounting base.
- Non sparking ratchet assembly.
- Declutching arbor to prevent damage from reverse winding.
- Standard inlet 90° balanced pressure swivel joint 1/2" female NPT threads.
- Standard outlet 1/2" female NPT threads.
- Standard Pressures to 3000 psi (207 bar) (available up to 10,000 psi 690 bar).
- Temperatures from -60° F to +250° F (-51° C to +121° C).
- Consult factory for other pressures & temps.
- 4-way roller assembly.
- Constant Tension is available – consult factory.



Shown with
Optional TR
Roller Position

For:

- Lubrication
- Air/Water
- Assembly Operations
- Washdown
- Air Tools
- General Industrial Applications

Parts Drawing – ISO 79

Model Number	Hose Capacity of Reel				Approx. Weight			Standard Roller Assy	Reel Dimensions***							
	feet				lb.				inches							
	m.				kg.				mm.							
I.D. (in)	1/4"	3/8"	1/2"	NET	UPS/ FedEx	Freight	SHIP Wt.	SHIP Wt.	A	B	C	E	F	G	H	X
I.D. (mm)	6	10	13													
N716-14-16-8C	–	25	25	52	64*	87	N204	10	4	8	17.62	11.25	16.25	9.12	8	
	–	8	8	24	29	39		254	102	203	448	286	413	232	203	
N716-16-17-10.5C	–	35	35	55	67*	90	N204	10	4	10.5	18.5	11.25	17	9.12	8	
	–	11	11	25	30	41		254	102	267	470	286	432	232	203	
N716-16-17-8L	–	50†	50†	63	75	105	N204	10	4	8	18.5	11.25	17	9.12	8	
	–	15	15†	29	34	48		254	102	203	470	286	432	232	203	
N716-19-20-10.5J	–	50	50	64	82*	99	N204	10	4	10.5	20.75	11.25	20	10.62	8	
	–	15	15	29	37	45		254	102	267	527	286	508	270	203	
N716-23-24-15.5J	–	65	65	79	86*	114	N204	10	4	15.5	23.75	11.25	24	12.62	8	
	–	20	20	36	39	52		254	102	394	603	286	610	321	203	
N716-23-24-15.5G	100	75	65	94	101*	129	N204	10	4	15.5	23.75	11.25	24	12.62	8	
	30	23	20	43	46	59		254	102	394	603	286	610	321	203	
N716-25-26-15.5B	–	75	75	90	–	125	N204	10	4	15.5	25.25	11.25	26	13.62	8	
	–	23	23	41	–	57		254	102	394	641	286	660	346	203	
N718-25-26-15.5G	–	100	100	96	–	131	N206	12	6	15.5	25.25	13.25	26	13.62	10	
	–	30	30	44	–	59		305	152	394	641	337	660	346	254	

Notes: A hose stop is necessary on hose to keep spring from unwinding.

1. Specifications subject to change.
2. Reel models and capacities shown are for standard drag applications; for vertical lift applications consult factory.
3. Other sizes, from standard components, available on request.
4. **Finish:** refer to Page 4.

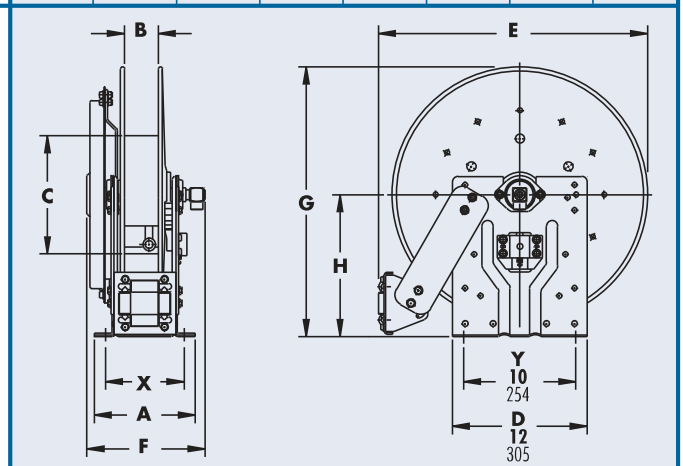
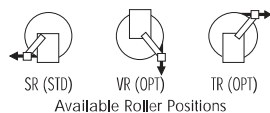
5. Be sure to check dimensions and weights prior to ordering.

NOTICE: A Flexible Connector must be used between the inlet pipe and the inlet swivel joint.

* Dimensional weight may apply when shipped as a parcel package (via FedEx or UPS Ground).

*** x,y indicate mounting holes. See page 2

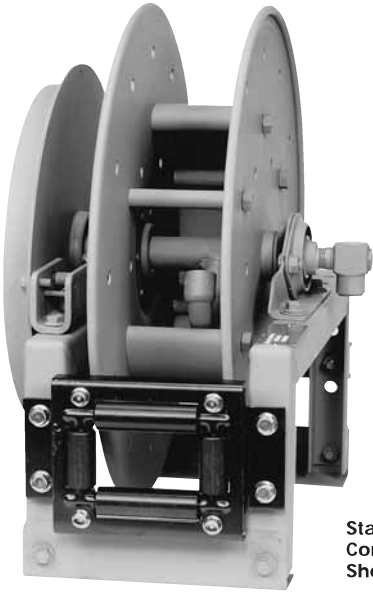
† Capacity based on low pressure air hose only



700

SPRING REWIND REELS

To handle 1/4" through 1/2" I.D. hose.



Standard Configuration Shown

- Rollformed channel frame for heavy-duty applications.
- Non sparking ratchet assembly.
- Declutching arbor to prevent damage from reverse winding.
- Standard inlet 90° balanced pressure swivel joint 1/2" female NPT threads.
- Standard outlet 1/2" female NPT threads.
- Standard Pressures to 3000 psi (207 bar) (available up to 10,000 psi 690 bar).
- Temperatures from -60° F to +250° F (-51° C to +121° C).
- Consult factory for other pressures & temps.
- 4-way roller assembly.
- Constant Tension is available – consult factory.

For:

- Lubrication
- Air/Water
- Assembly Operations
- Washdown
- Air Tools
- General Industrial Applications

Parts Drawing – ISO 66

Model Number	Hose Capacity of Reel			Approx. Weight			Standard Roller Assy	Reel Dimensions***									
	feet m.			lb. kg.				inches mm.									
	I.D. (in) I.D. (mm)	3/8" 10	1/2" 13	NET	UPS/ FedEx	Freight		A	B	C	D	E	F	G	H	X	Y
	O.D. (in) O.D. (mm)	3/4" 19	7/8" 22			SHIP Wt.	SHIP Wt.										
716-23-24-15.5J		65 20	65 20	79 36	86* 39	114 52	R204	9.25 235	4 102	15.5 394	23.25 591	24.38 619	12.75 324	23.88 607	12.5 318	4.5 114	20 508
716-23-24-15.5G		75 23	65 20	94 43	102* 46	129 59	R204	9.25 235	4 102	15.5 394	23.25 591	24.38 619	12.75 324	23.88 607	12.5 318	4.5 114	20 508
716-25-26-15.5B		75 23	75 23	90 41	–	125 57	R204	9.25 235	4 102	15.5 394	25 635	26.12 663	12.75 324	25.88 657	13.5 343	4.5 114	21.75 552
718-25-26-15.5G		100 30	100 30	96 44	–	131 59	R206	11.25 286	6 152	15.5 394	25 635	26.12 663	14.75 375	25.88 657	13.5 343	6.5 165	21.75 552
718-30-31-20D		150 46	125 38	127 58	–	162 73	R206	11.25 286	6 152	20 508	28.5 724	29.62 752	15.5 394	31.38 797	17 432	6.5 165	25.25 641

Notes: A hose stop is necessary on hose to keep spring from unwinding.

1. Specifications subject to change.
2. Reel models and capacities shown are for standard drag applications; for vertical lift applications consult factory.
3. Other sizes, from standard components, available on request.
4. **Finish:** refer to Page 4.
5. **Be sure to check dimensions and weights prior to ordering.**

NOTICE: A Flexible Connector must be used between the inlet pipe and the inlet swivel joint.

* Dimensional weight may apply when shipped as a parcel package (via FedEx or UPS Ground).

*** x,y indicate mounting holes. See page 2

