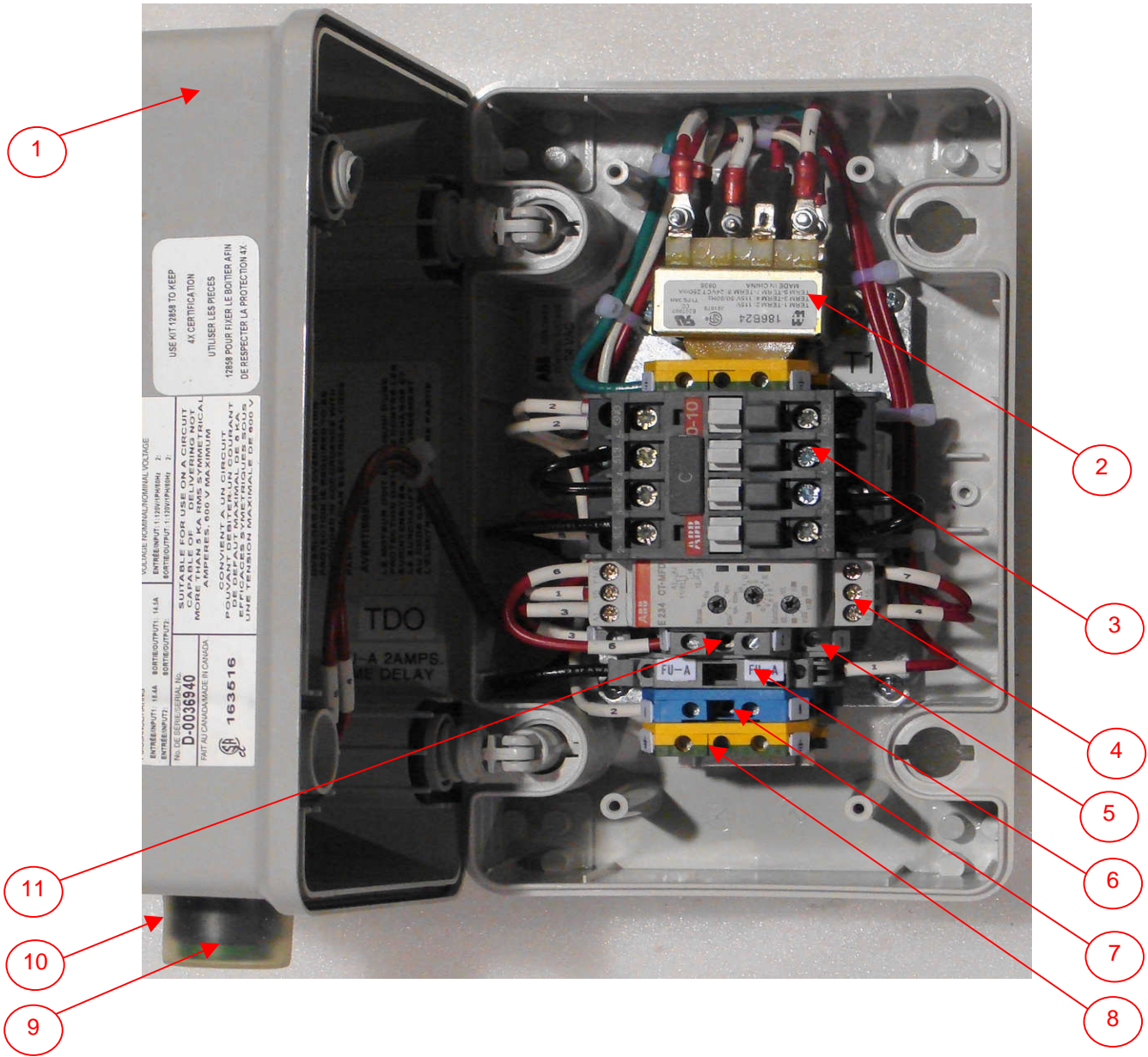
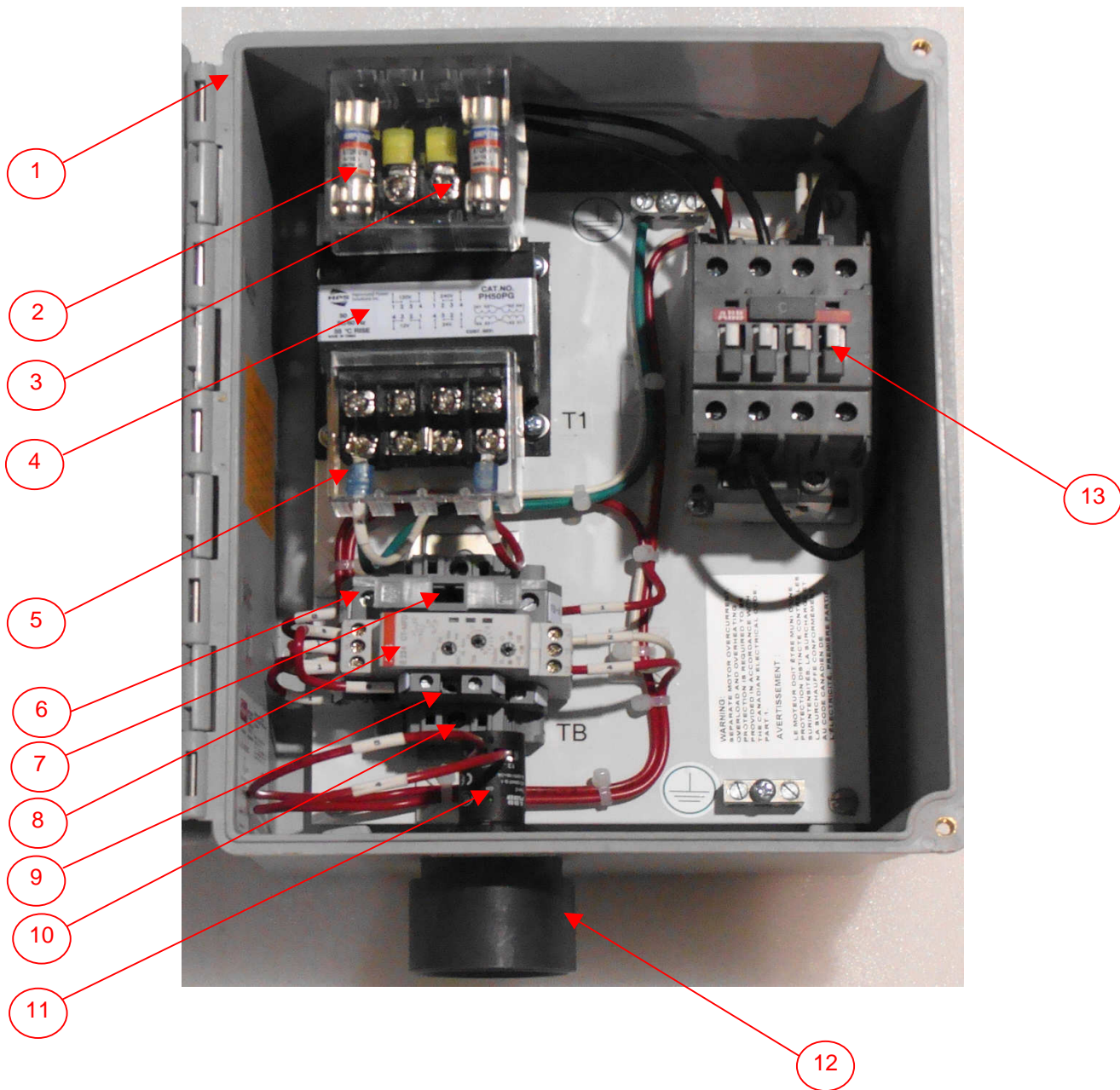


# TDS1151PH



Position	Part number	Description	Quantity
1	12804	120mm x 220mm x 140mm nema box	1
2	186B24	open transformer 115-230V/24V 6VA	1
3	A16301084	Contacteur	1
4	1SVR550029R8100	Timer	1
5	011527122	Grey terminal block	1
	011695115	FEM grey end plate	1
6	011565725	M4/8 SF fuse holder	1
7	012511601	Blue terminal block	1
	012836810	FEM6 blue end plate	1
8	010306221	FEM yellow end plate	2
	016511316	M4/6 ground terminal block 24-10AWG	2
9	CP4-10G-10	compact ext pB maint green	1
10	KA1-8002	protective membrane extended button	1
11	GSC2	glass fuse 2A 250v	1

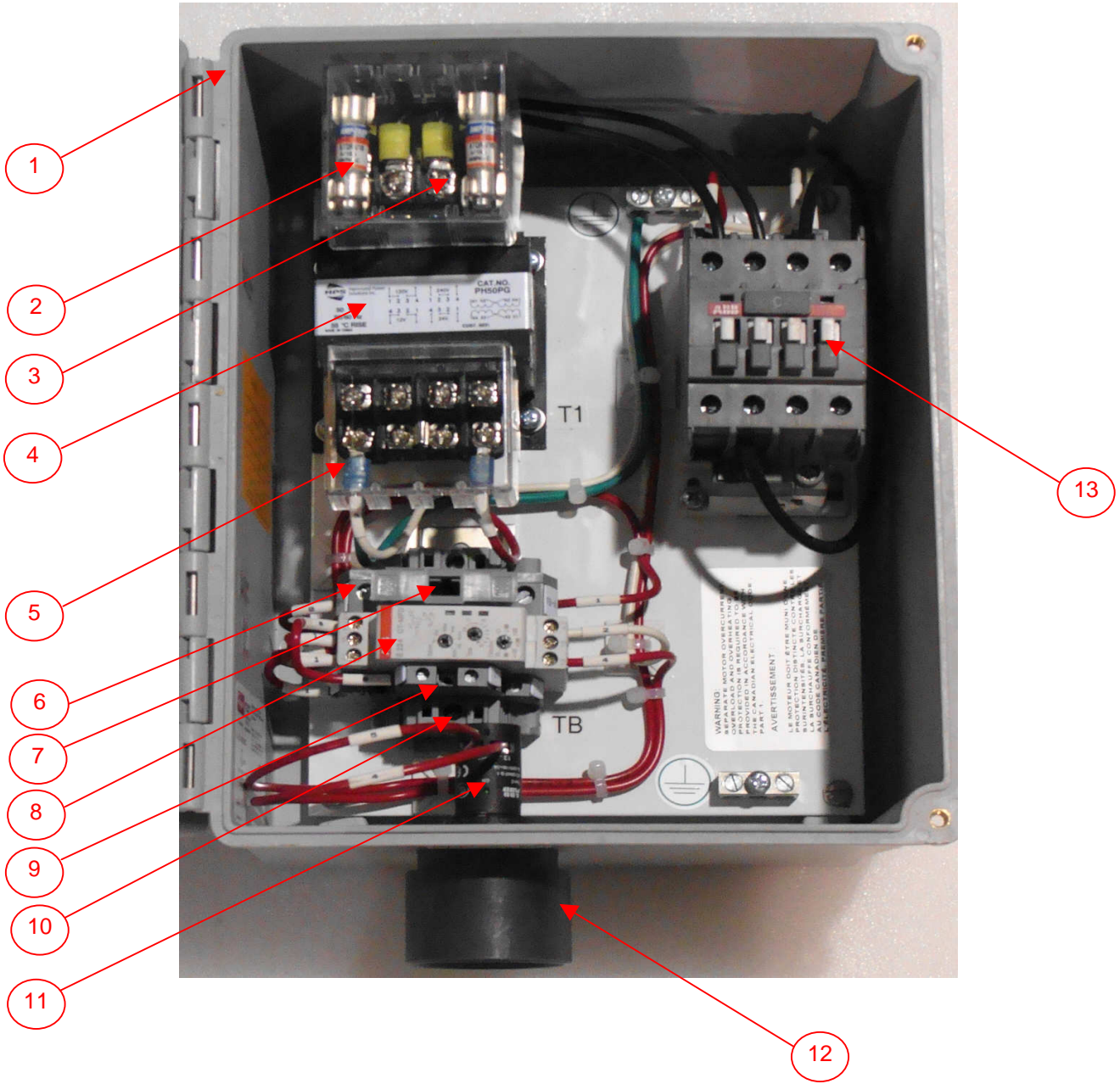
# JBA26SS2P81A



Position	Part number	Description	Quantity
1	A1086CHSCFG	Nema 4X Enclosure 10 x 8 x 6	1
2	ATQR4/10	Fuse primary circuit	2
3	11537724	Fuse Holder	1
4	PH50PR	Transformer 240V-24V	1
5	DFC3LP	Finger safe protector	1
6	FK3	Fuse Holder	1
7	GDL2	Fuse secondary circuit (24 V)	1
8	1SVR550029R8100	Timer	1
9	115011607	Terminal	1
10	10300226	Din rail stop	2
11	C2SS110B10	On-Off Switch	1
12	CBKXSWG	Switch guard	1
13	A26301081	Contactor	1



# JBA26SS2P81A



Position	Part number	Description	Quantity
1	A1086CHSCFG	Nema 4X Enclosure 10 x 8 x 6	1
2	ATQR4/10	Fuse primary circuit	2
3	11537724	Fuse Holder	1
4	PH50PR	Transformer 240V-24V	1
5	DFC3LP	Finger safe protector	1
6	FK3	Fuse Holder	1
7	GDL2	Fuse secondary circuit (24 V)	1
8	1SVR550029R8100	Timer	1
9	115011607	Terminal	1
10	10300226	Din rail stop	2
11	C2SS210B10	On-Off Switch	1
12	CBKXSWG	Switch guard	1
13	A26301081	Contactor	1



Document control

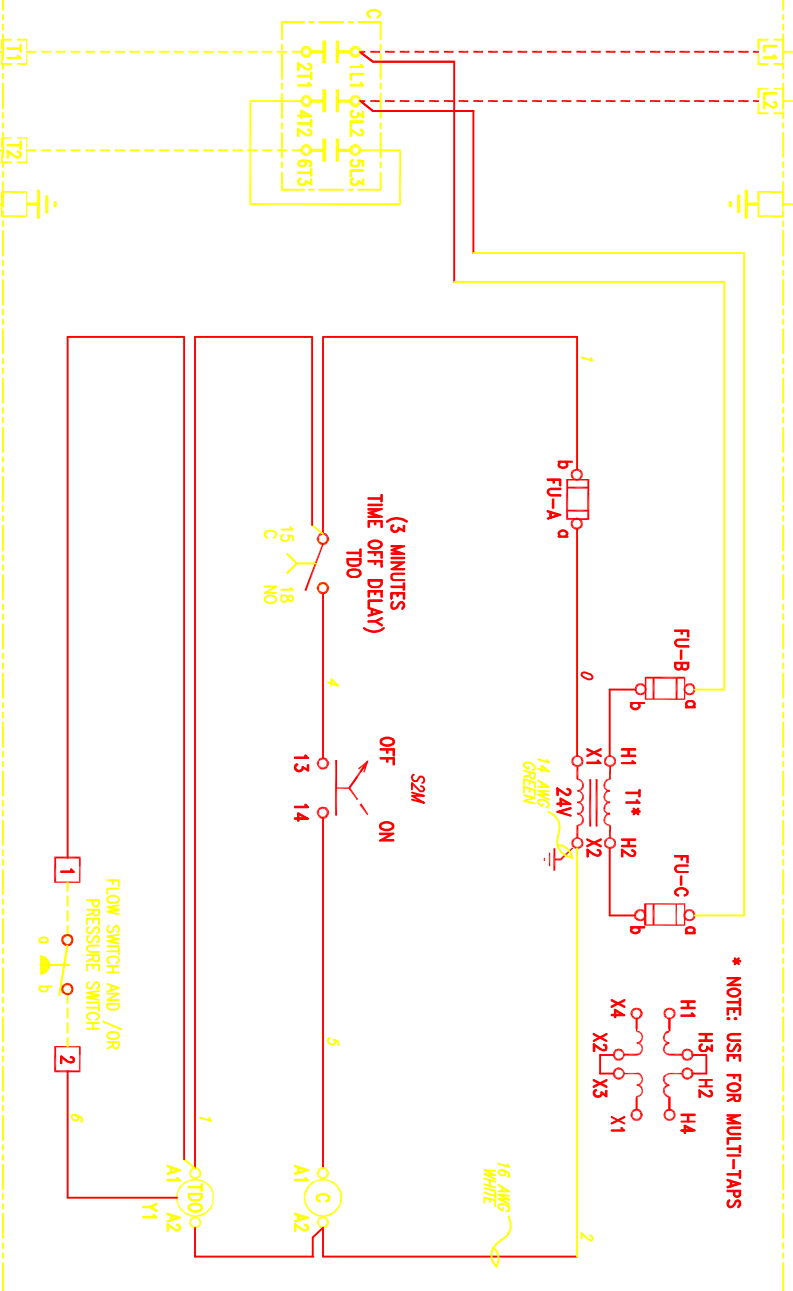
Revision

This document must not be copied without our written permission, and the contents thereof must not be imported to a third party nor any unauthorized purpose. Controversy will be prescided. ABB

Reference

Revision

FUSED DISCONNECT (BY OTHERS)  
FUSED DISCONNECT MUST BE PROVIDED BY OTHERS AND INSTALLED PER LATEST EDITION OF IEC5084 AND NEC REQUIREMENTS.



\* NOTE: USE FOR MULTI-TAPS

**LEGEND:**

----- WIRED BY "ABB".

----- WIRED BY "CUSTOMER" OR "OPTIONAL" WIRING.

----- WIRED BY "CUSTOMER".

**NOTES:**

1- TERMINAL WIRING ON REQUEST (OPTIONAL).

2- CONTROL CABLE, TEW 105°C, 16 AWG, RED.

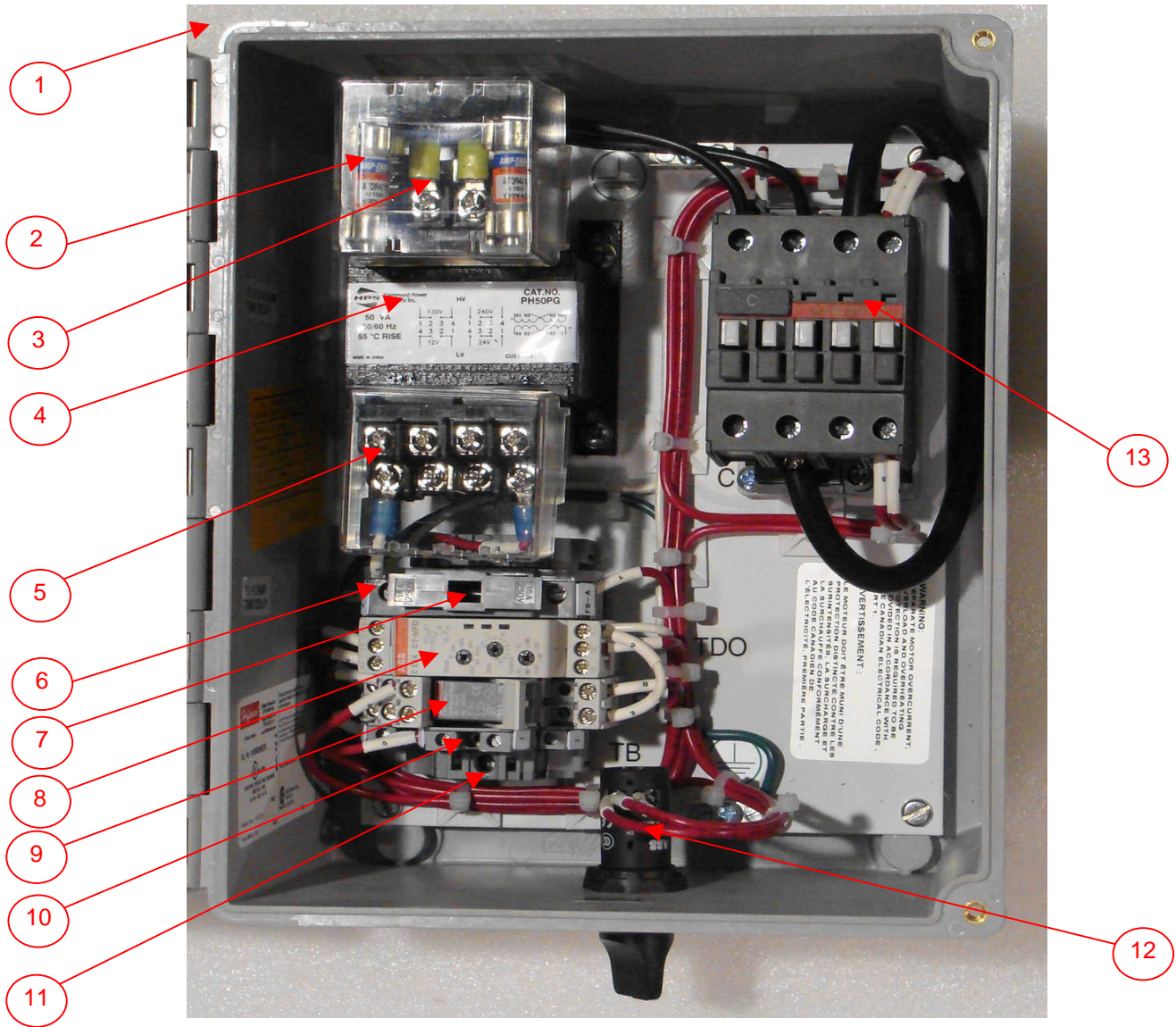
3- POWER CABLE (AC), TEW 105°C, BLACK.

4- ALL DEVICES ARE SHOWN DE-ENERGIZED.

5- OVERLOAD PROTECTION PROVIDED WITH THE MOTOR.

Description		Design checked by		Drawing type		Drawing No.		Sheet	
SINGLE-PHASE MAGNETIC STARTER		O. ALAOU		CONTROL CIRCUIT DIAGRAM		E-A26SS2P-MGXS01-B		1	
JOHN BROOKS STARTER		Drawing checked by							
5HP/240V/1PH		S. CHAMPAGNE							
FLA: 26A		S. CHAMPAGNE		ABB ABB CONTROL		EN 2007 07			
No	Revision	S.C.	2007	12	Appl.	Year	Week		
1	S.M. "OFF-ON" DETAIL CORRECTED								

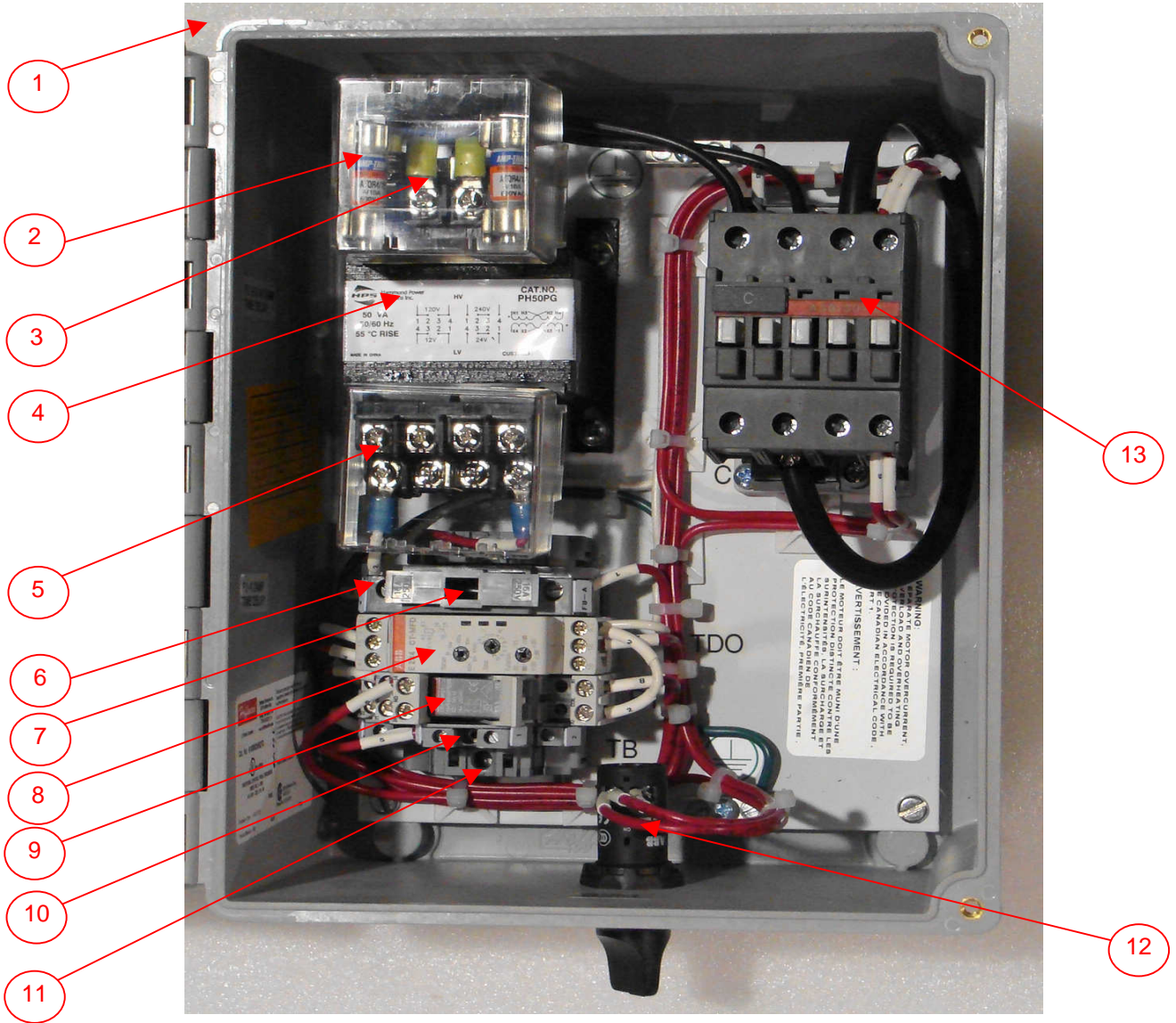
# TDS2301PH



Position	Part number	Description	Quantity
1	A1086CHSCFG	Nema 4X Enclosure 10 x 8 x 6	1
2	ATQR4/10	Fuse primary circuit	2
3	11537724	Fuse Holder	1
4	PH50PR	Transformer 240V-24V	1
5	DFC3LP	Finger safe protector	1
6	FK3	Fuse Holder	1
7	GDL2	Fuse secondary circuit (24 V)	1
8	1SVR550029R8100	Timer	1
9	1SVR405600R0000	Relay	1
10	115011607	Terminal	1
11	10300226	Din rail stop	2
12	C2SS110B10	On-Off Switch	1
13	A30301081	Contactor	1



# TDS2301PH



Position	Part number	Description	Quantity
1	A1086CHSCFG	Nema 4X Enclosure 10 x 8 x 6	1
2	ATQR4/10	Fuse primary circuit	2
3	11537724	Fuse Holder	1
4	PH50PR	Transformer 240V-24V	1
5	DFC3LP	Finger safe protector	1
6	FK3	Fuse Holder	1
7	GDL2	Fuse secondary circuit (24 V)	1
8	1SVR550029R8100	Timer	1
9	1SVR405600R0000	Relay	1
10	115011607	Terminal	1
11	10300226	Din rail stop	2
12	C2SS1010B10	On-Off Switch	1
13	A30301081	Contactor	1

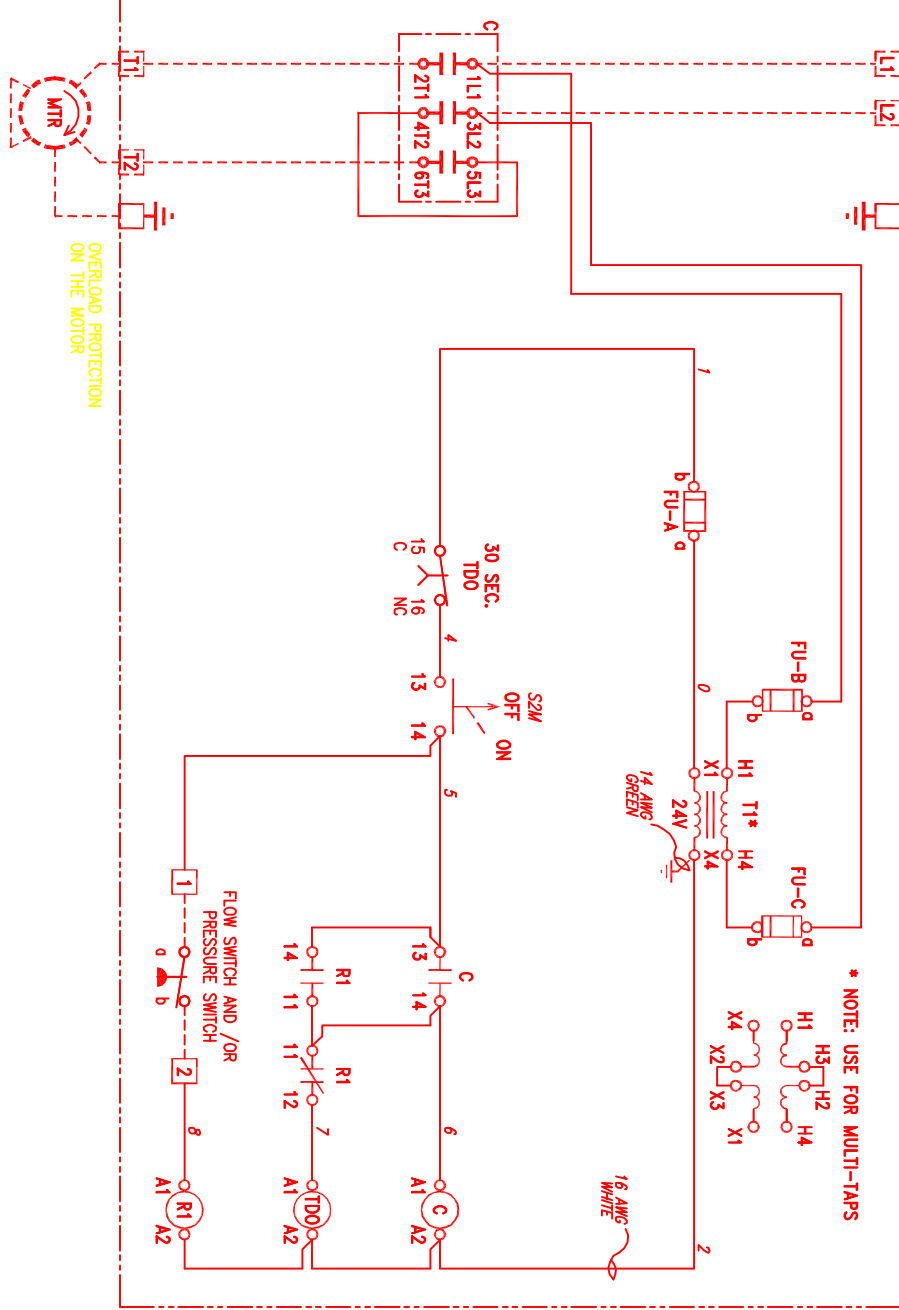


Document control	Revision
------------------	----------

This document must not be copied without our written permission, and the contents thereof must not be imported to a third party for any unauthorized purpose. Contention will be prosecuted. ABB

Reference	Revision
-----------	----------

FUSED DISCONNECT (GPT, other) FUSED DISCONNECT MUST BE PROVIDED BY OTHERS AND INSTALLED PER LATEST EDITION OF UL508A AND NEC REQUIREMENTS.

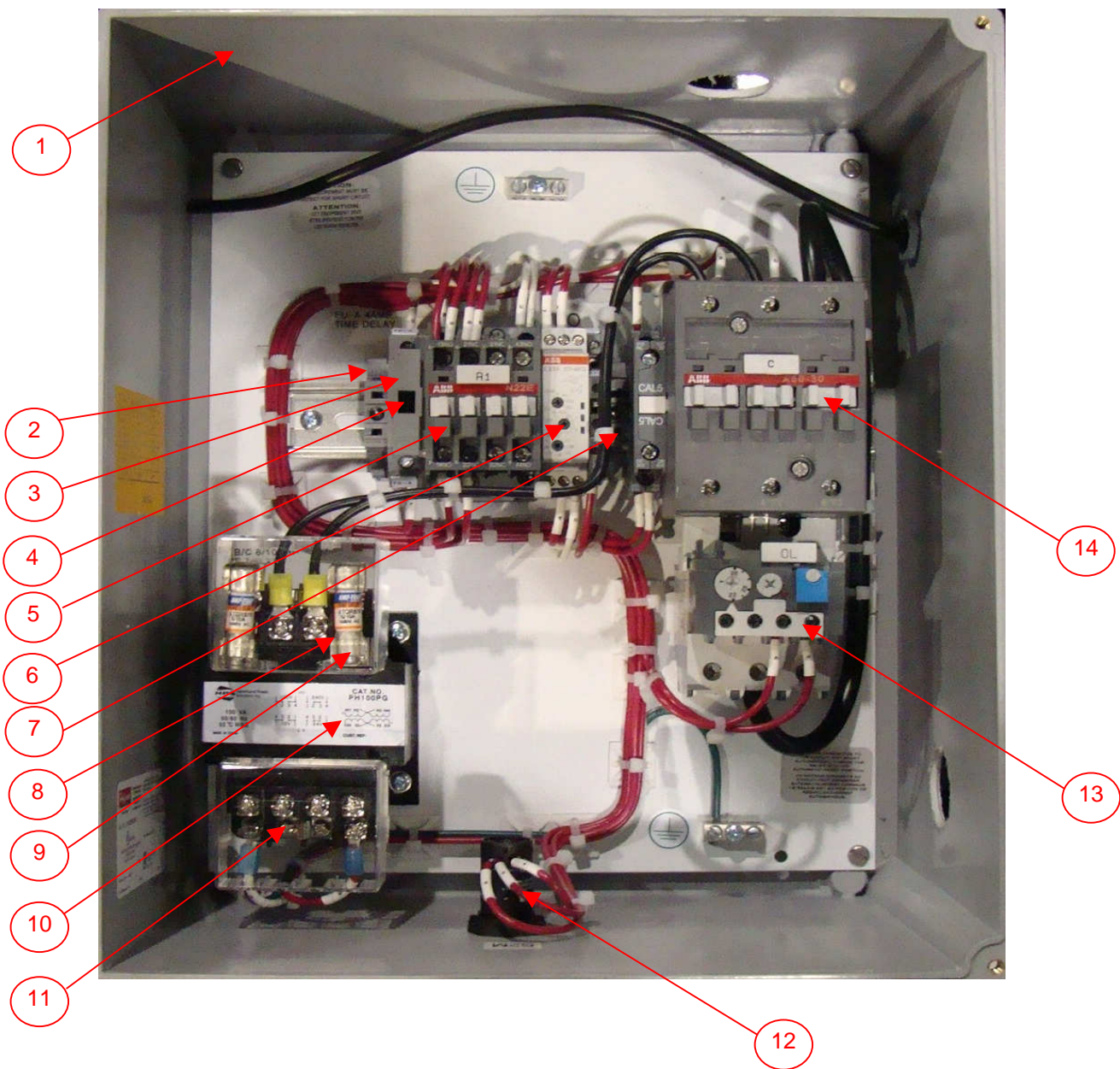


- LEGEND:**
- WIRING BY "ABB".
  - WIRING BY "CUSTOMER" OR "OPTIONAL" WIRING.
  - WIRING BY "CUSTOMER".
- NOTES:**
- 1- TERMINAL WIRING ON REQUEST (OPTIONAL).
  - 2- CONTROL CABLE, TEW 105°C, 16 AWG, RED.
  - 3- POWER CABLE (AC), TEW 105°C, BLACK.
  - 4- ALL DEVICES ARE SHOWN DE-ENERGIZED.
  - 5- ALL OVERLOAD RELAYS HAVE A SINGLE PHASE PROTECTION.

Description		Design checked by		Drawing type		Drawing No.		Sheet	
SINGLE-PHASE MAGNETIC STARTER FULL VOLTAGE / NON-REVERSING 6HP/240V/1PH FLA: 28A		O. ALAOUI		CONTROL CIRCUIT DIAGRAM		E-A30SS2P-MGXS01-B		1	
Revision		Drawn by		Dept.		Contract No.		Cont.	
1 "MAIN SUPPLY" NOTE ADDED		S. CHAMPAGNE		EN		STANDARD		-	
S.C. 2007 10		S. CHAMPAGNE		2007 04					
Appl. Year Week		Year Week		Year Week					



# TDS2301PH10HPR

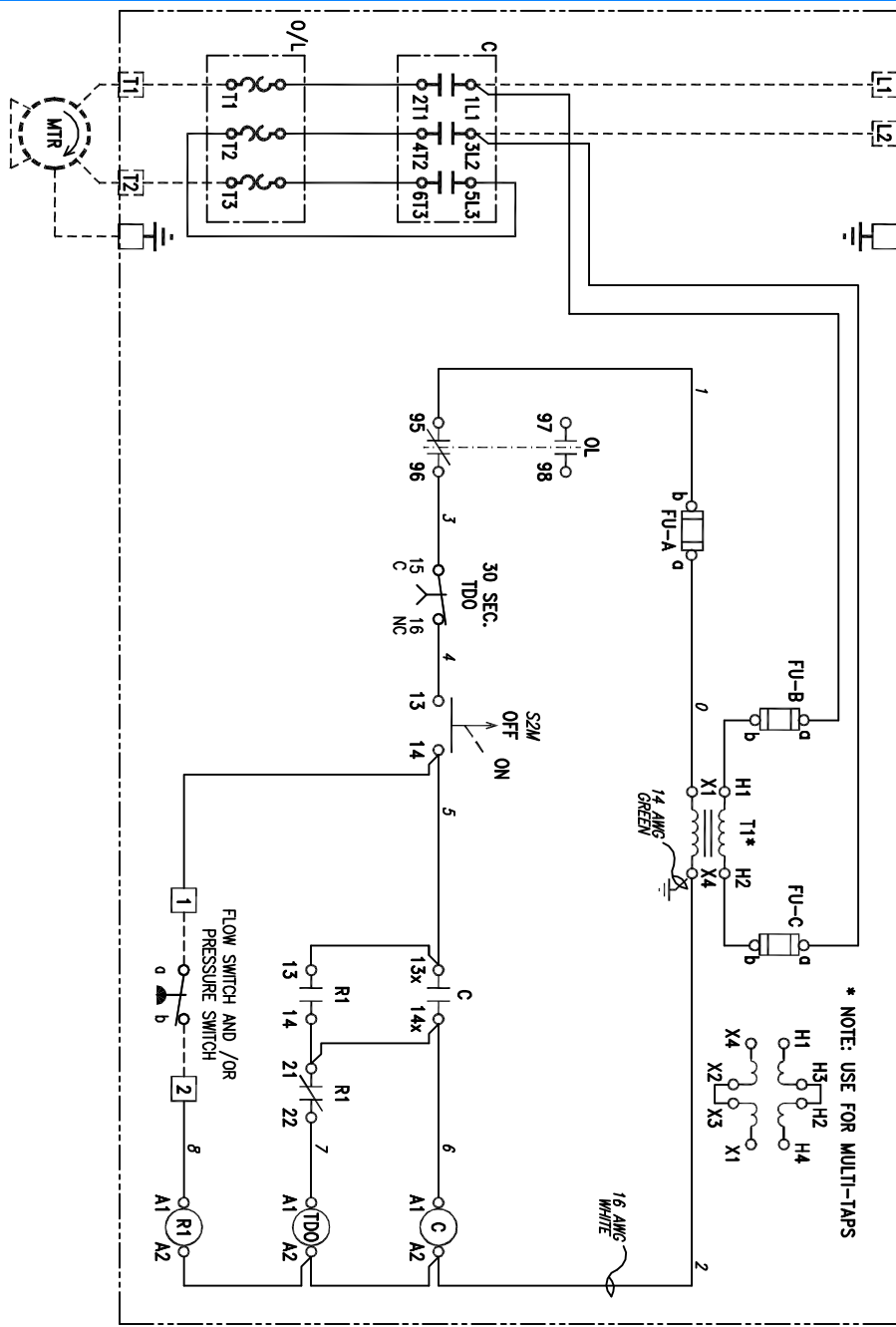


Position	Part number	Description	Quantity
1	A14128CHSCFG	Nema 4X Enclosure 10 x 8 x 6	1
2	10300226	Din rail stop	2
3	FK3	Fuse Holder	1
4	GDL2	Fuse secondary circuit (24 V)	1
5	N22E81	Relay	1
6	1SVR550029R8100	Timer	1
7	115011607	Terminal	1
8	DFC3LP	Finger safe protector	1
9	ATQR6/10	Fuse primary circuit	2
10	11537724	Fuse Holder	1
11	DFC3LP	Finger safe protector	1
12	C2SS110B10	On-Off Switch	1
13	TA75DU52	Overload	1
14	A50301181	Contactor	1





FUSED DISCONNECT (BY OTHERS)  
 FUSED DISCONNECT MUST BE PROVIDED BY OTHERS AND INSTALLED PER LATEST EDITION OF UL508A AND NEC REQUIREMENTS.



\* NOTE: USE FOR MULTI-TAPS

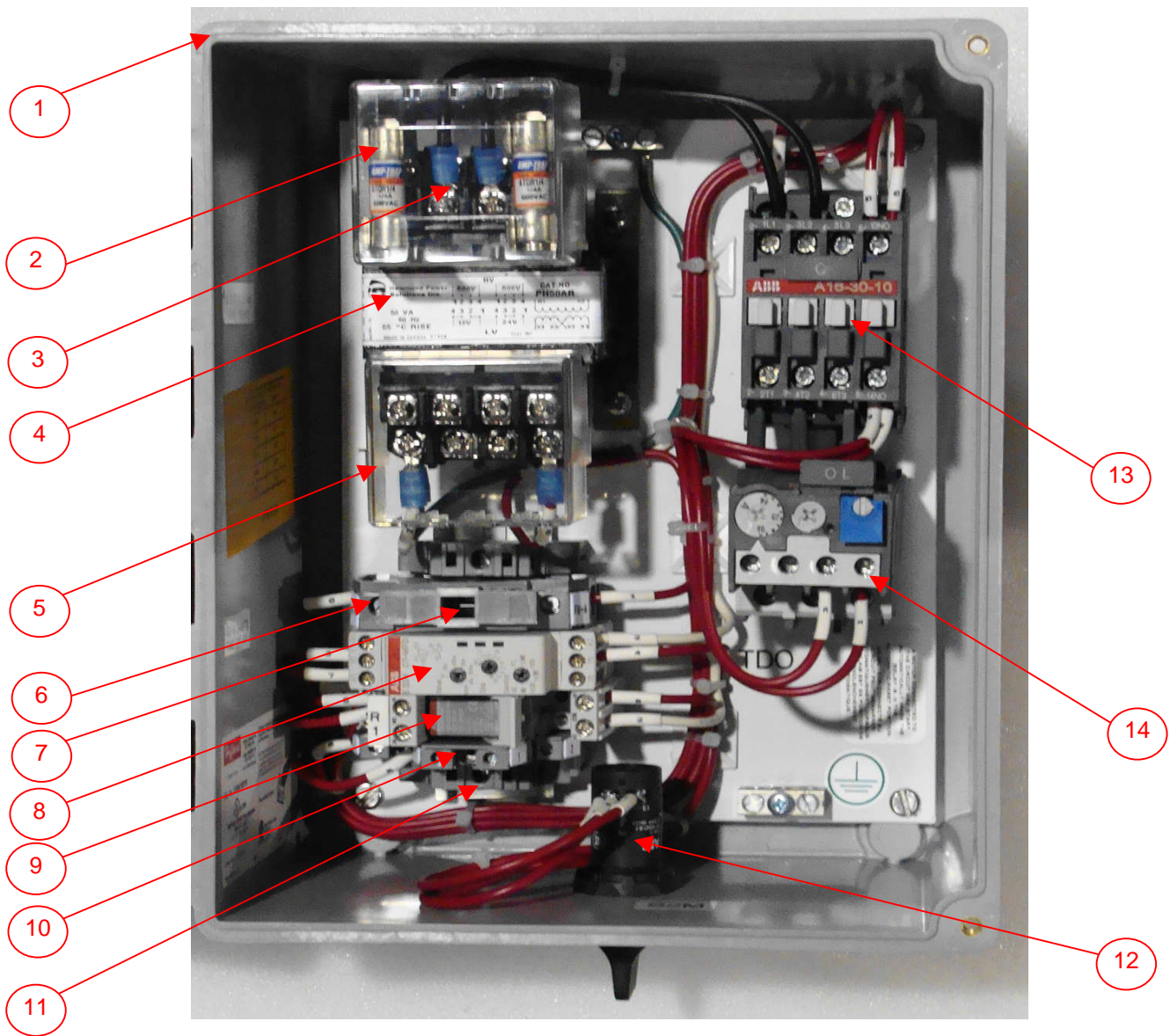
LEGEND:  
 WIRED BY "ABB".  
 WIRED BY "CUSTOMER" OR "OPTIONAL" WIRING.  
 WIRED BY "CUSTOMER".

NOTES:  
 1- TERMINAL WIRING ON REQUEST (OPTIONAL).  
 2- CONTROL CABLE, TEW 105°C, 16 AWG, RED.  
 3- POWER CABLE (AC), TEW 105°C, BLACK.  
 4- ALL DEVICES ARE SHOWN DE-ENERGIZED.  
 5- ALL OVERLOAD RELAYS HAVE A SINGLE PHASE PROTECTION.

Description		Design checked by		Drawing type		Drawing No.		Sheet	
SINGLE-PHASE MAGNETIC STARTER FULL VOLTAGE / NON-REVERSING 10HP/240V/1PH FLA: 40A, OVERLOAD RELAY 36 @ 52A		O. ALAOUI		CONTROL CIRCUIT DIAGRAM		E-A50SS2P-MGDS01-B		1	
S.C. 2007 10		Drawing checked by		ABB ABB CONTROL		Contract No.		Cont.	
S.C. 2007 08		S. CHAMPAGNE		EN		STANDARD		-	
No		Appd. Year Week		Dept. Year Week		Year Week			
1		PILOT LIGHT "RUN" REMOVED		S. CHAMPAGNE		2007 04			
2		"MAIN SUPPLY" NOTE ADDED		ABB		2007 04			
Revision		Revision		Revision		Revision		Revision	



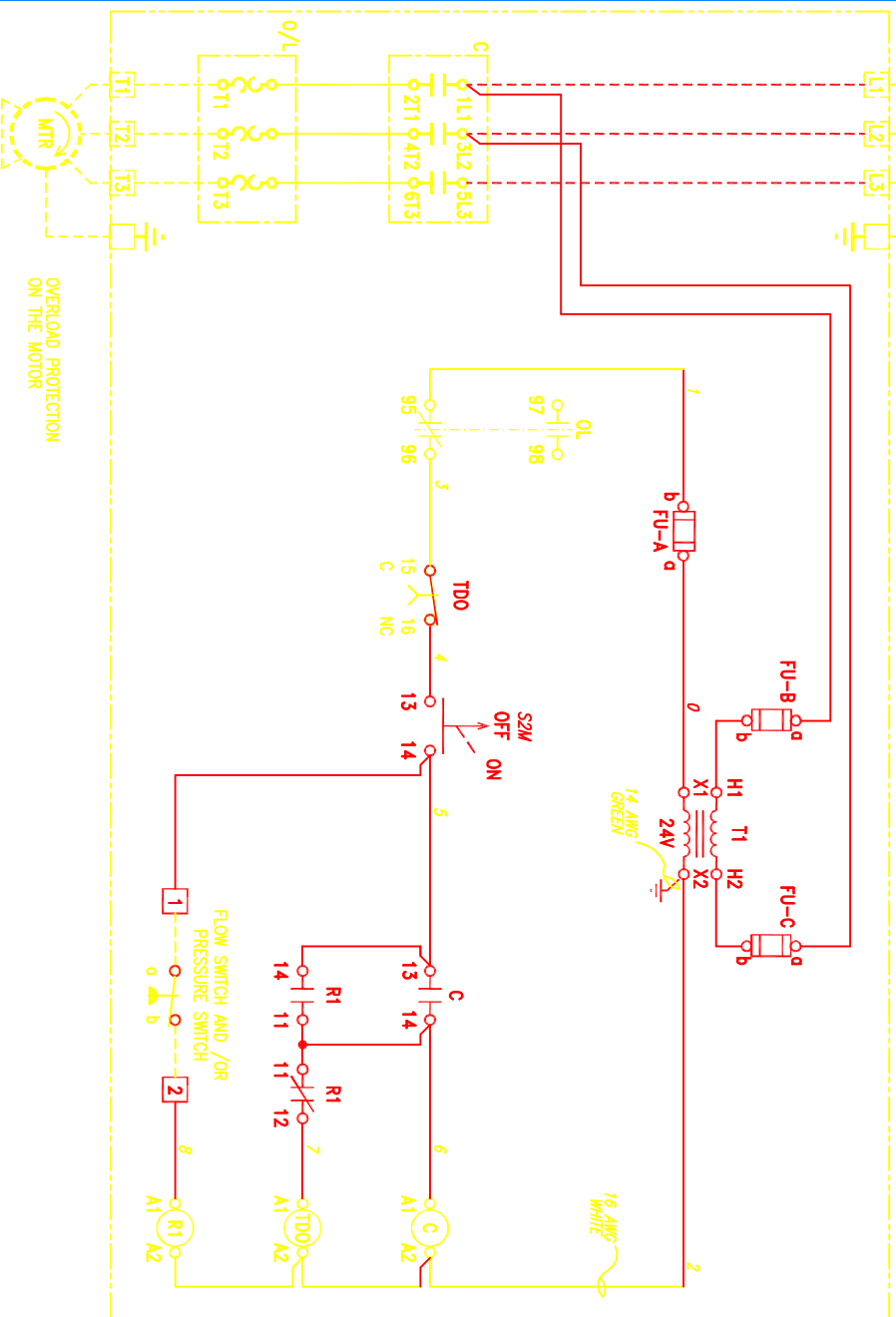
# TDS5753PH6HPR



Position	Part number	Description	Quantity
1	A1086CHSCFG	Nema 4X Enclosure 10 x 8 x 6	1
2	ATQR1/4	Fuse primary circuit	2
3	11537724	Fuse Holder	1
4	530-320	Transformer 600V-24V	1
5	DFC3LP	Finger safe protector	1
6	FK3	Fuse Holder	1
7	GDL2	Fuse secondary circuit (24 V)	1
8	1SVR550029R8100	Timer	1
9	1SVR405600R0000	Relay	1
10	115011607	Terminal	1
11	10300226	Din rail stop	2
12	C2SS110B10	On-Off Switch	1
13	A16301081	Contactor	1
14	TA25DU6.5	Overload 4.5A-6.5A	1



FUSED DISCONNECT (BY OTHERS PROVIDED BY OTHERS AND INSTALLED PER LATEST EDITION OF UL508A AND NEC REQUIREMENTS.



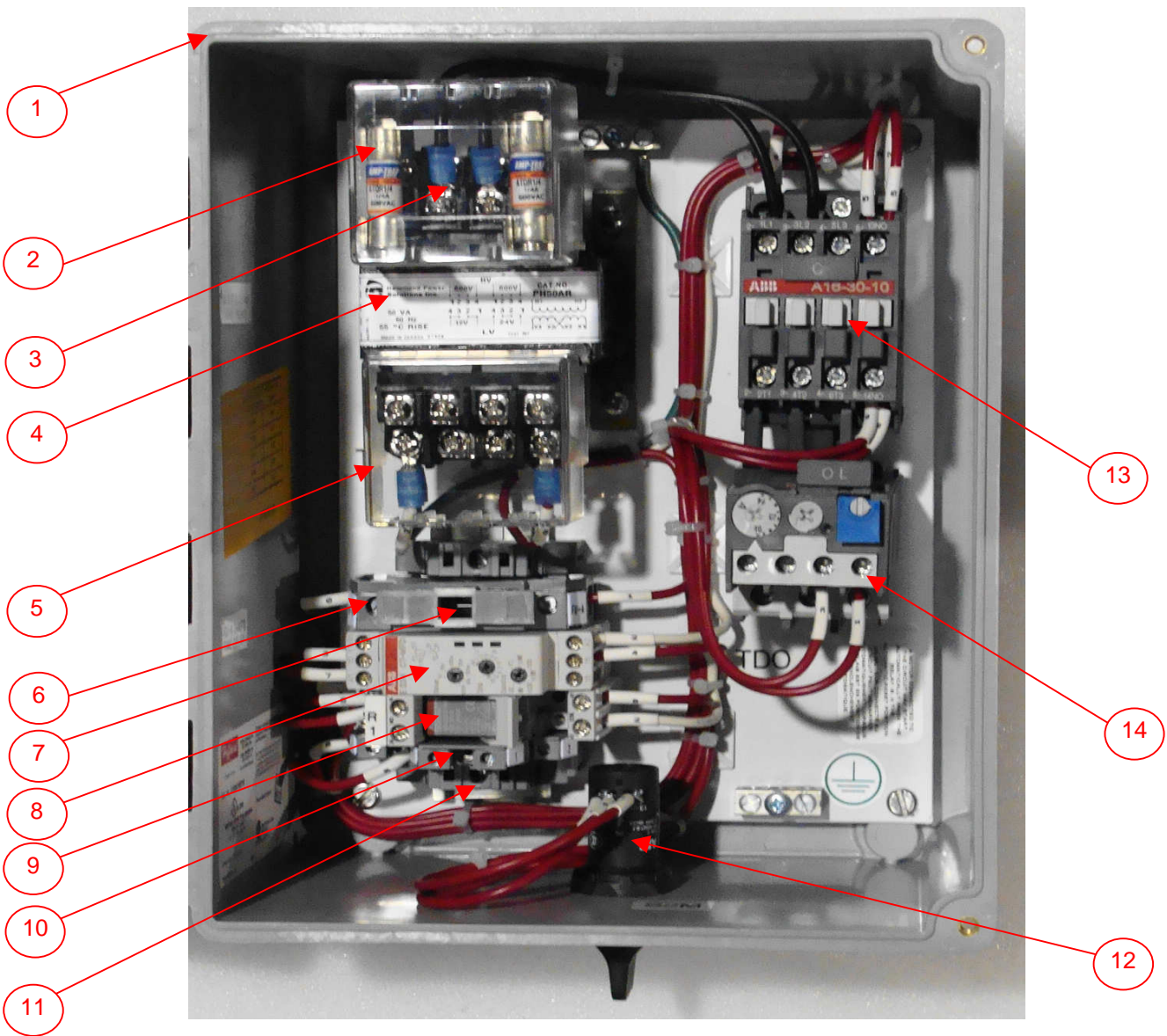
**LEGEND:**  
 \_\_\_\_\_ WIRED BY "ABB".  
 \_\_\_\_\_ WIRED BY "CUSTOMER" OR "OPTIONAL" WIRING.  
 ..... WIRED BY "CUSTOMER".

**NOTES:**  
 1- TERMINAL WIRING ON REQUEST (OPTIONAL).  
 2- CONTROL CABLE, TEW 105°C, 16 AWG, RED.  
 3- POWER CABLE (AC), TEW 105°C, BLACK.  
 4- ALL DEVICES ARE SHOWN DE-ENERGIZED.  
 5- ALL OVERLOAD RELAYS HAVE A SINGLE PHASE PROTECTION.

Description		Design checked by		Drawing type		Drawing No.		Sheet	
THREE-PHASE MAGNETIC STARTER FULL VOLTAGE / NON-REVERSING 6HP/600V/3PH FLA: 6A, OVERLOAD RELAY 4.5 @ 6.5A		O. ALAOUI		CONTROL CIRCUIT DIAGRAM		E-A16SP-AGMS01-B		1	
S.C. 2007 07		Drawing checked by		ABB ABB CONTROL		Contract No.		Cont.	
Appl. Year Week		S. CHAMPAGNE		EN 2005 51		STANDARD		-	
Revision		S. CHAMPAGNE		EN 2005 51		STANDARD		-	



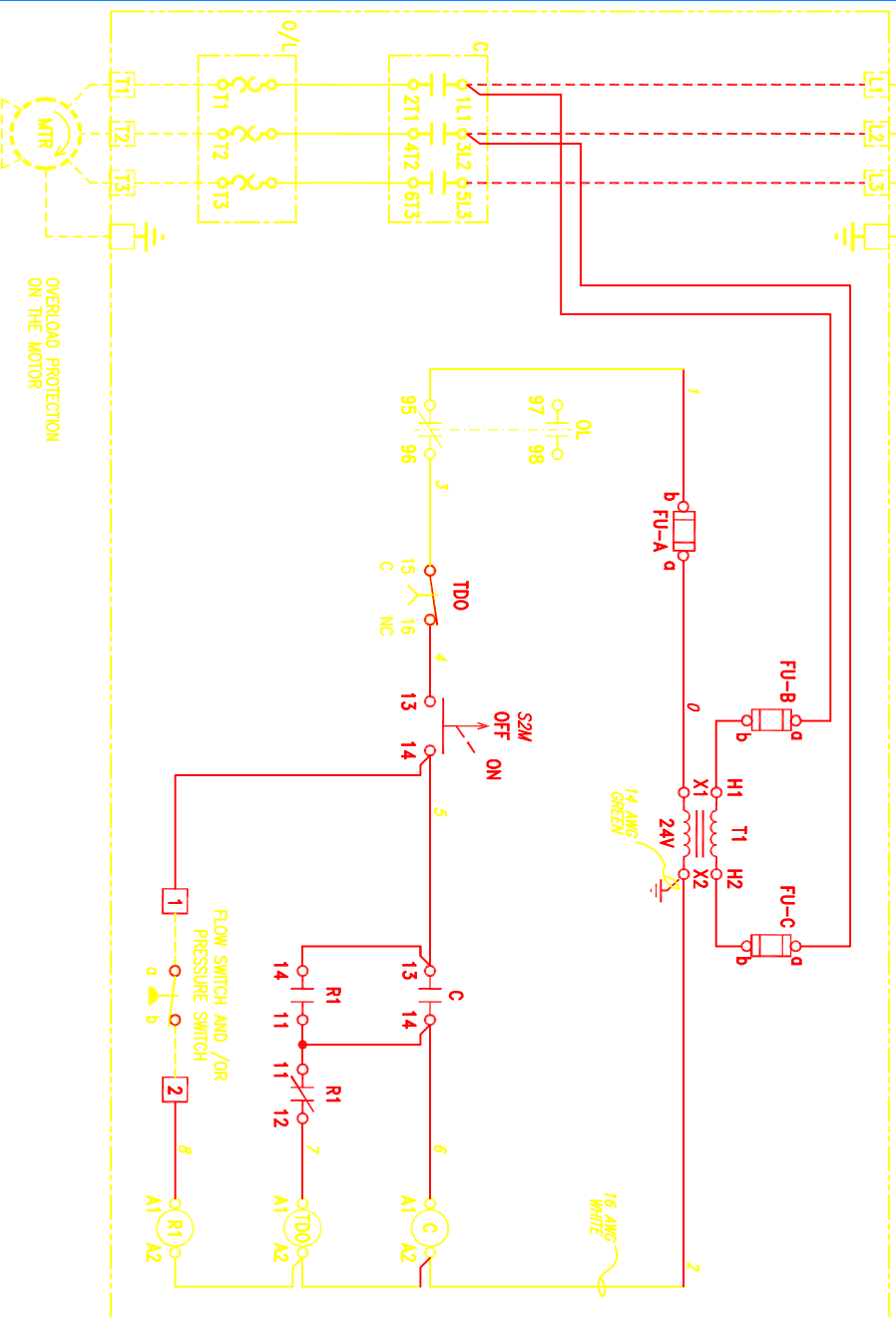
# TDS5753PH10HPR



Position	Part number	Description	Quantity
1	A1086CHSCFG	Nema 4X Enclosure 10 x 8 x 6	1
2	ATQR1/4	Fuse primary circuit	2
3	11537724	Fuse Holder	1
4	530-320	Transformer 600V-24V	1
5	DFC3LP	Finger safe protector	1
6	FK3	Fuse Holder	1
7	GDL2	Fuse secondary circuit (24 V)	1
8	1SVR550029R8100	Timer	1
9	1SVR405600R0000	Relay	1
10	115011607	Terminal	1
11	10300226	Din rail stop	2
12	C2SS110B10	On-Off Switch	1
13	A16301081	Contactor	1
14	TA25DU19	Overload 14A-19A	1



FUSED DISCONNECT (BY OTHERS PROVIDED BY OTHERS AND INSTALLED PER LATEST EDITION OF UL508A AND NEC REQUIREMENTS.



**LEGEND:**

\_\_\_\_\_ WIRED BY "ABB".

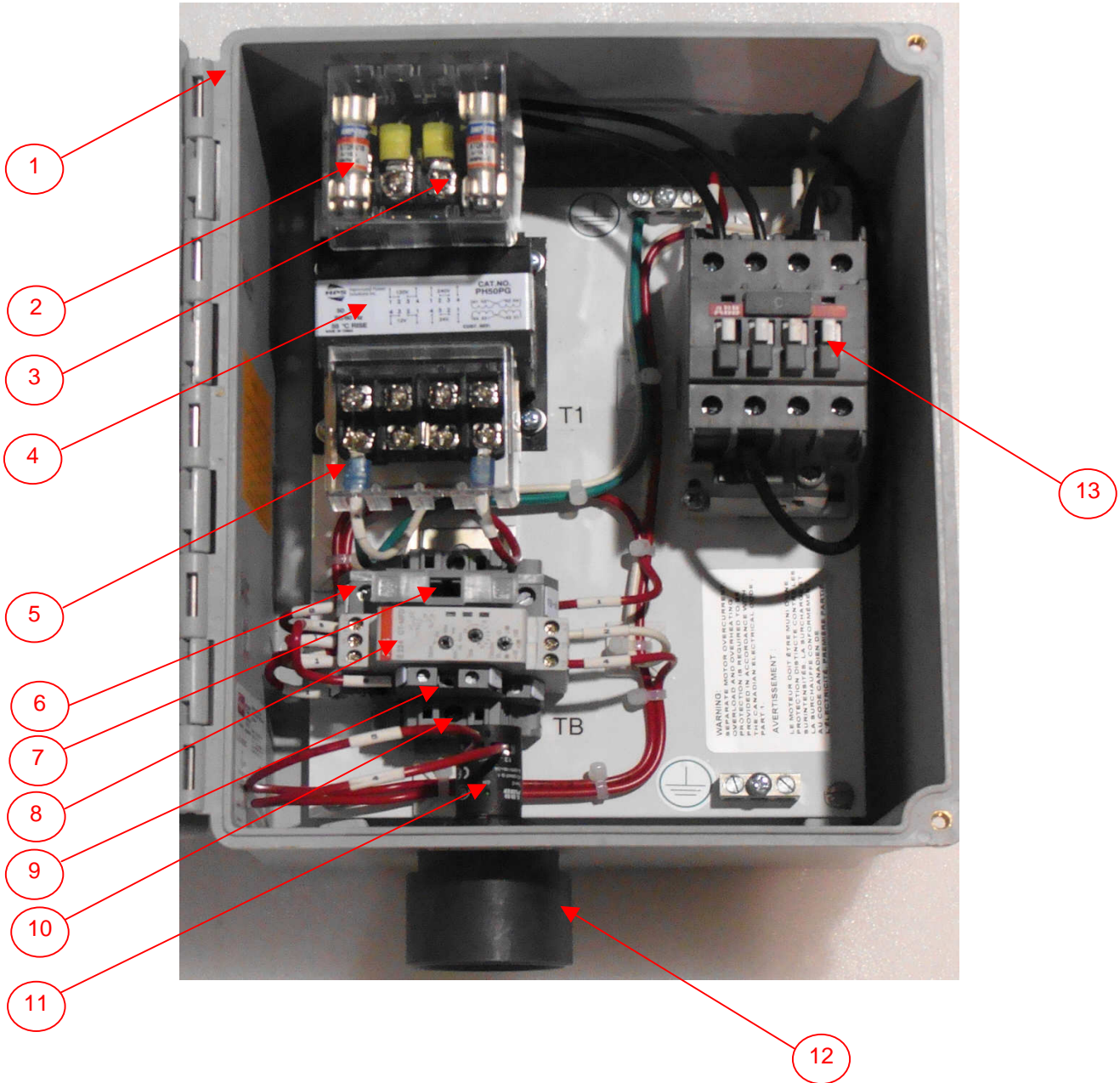
----- WIRED BY "CUSTOMER" OR "OPTIONAL" WIRING.

..... WIRED BY "CUSTOMER".

- NOTES:**
- 1- TERMINAL WIRING ON REQUEST (OPTIONAL).
  - 2- CONTROL CABLE, TEW 105°C, 16 AWG, RED.
  - 3- POWER CABLE (AC), TEW 105°C, BLACK.
  - 4- ALL DEVICES ARE SHOWN DE-ENERGIZED.
  - 5- ALL OVERLOAD RELAYS HAVE A SINGLE PHASE PROTECTION.

Description		Design checked by		Drawing type		Drawing No.		Sheet	
THREE-PHASE MAGNETIC STARTER FULL VOLTAGE / NON-REVERSING 6HP/600V/3PH FLA: 6A, OVERLOAD RELAY 4.5 @ 6.5A		O. ALAOUI		CONTROL CIRCUIT DIAGRAM		E-A16SP-AGMS01-B		1	
S.C. 2007 07		Drawing checked by		ABB ABB CONTROL		Contract No.		Cont.	
Appl. Year Week		S. CHAMPAGNE		EN 2005 51		STANDARD		-	
No. Revision		1 PILOT LIGHT "RUN" REMOVED							

# TDS5753PH20HP



Position	Part number	Description	Quantity
1	A1086CHSCFG	Nema 4X Enclosure 10 x 8 x 6	1
2	ATQR1/4	Fuse primary circuit	2
3	11537724	Fuse Holder	1
4	530-230	Transformer 600V-24V	1
5	DFC3LP	Finger safe protector	1
6	FK3	Fuse Holder	1
7	GDL2	Fuse secondary circuit (24 V)	1
8	1SVR550029R8100	Timer	1
9	115011607	Terminal	1
10	10300226	Din rail stop	2
11	C2SS110B10	On-Off Switch	1
12	CBKXSWG	Switch guard	1
13	A26301081	Contactor	1



Document control

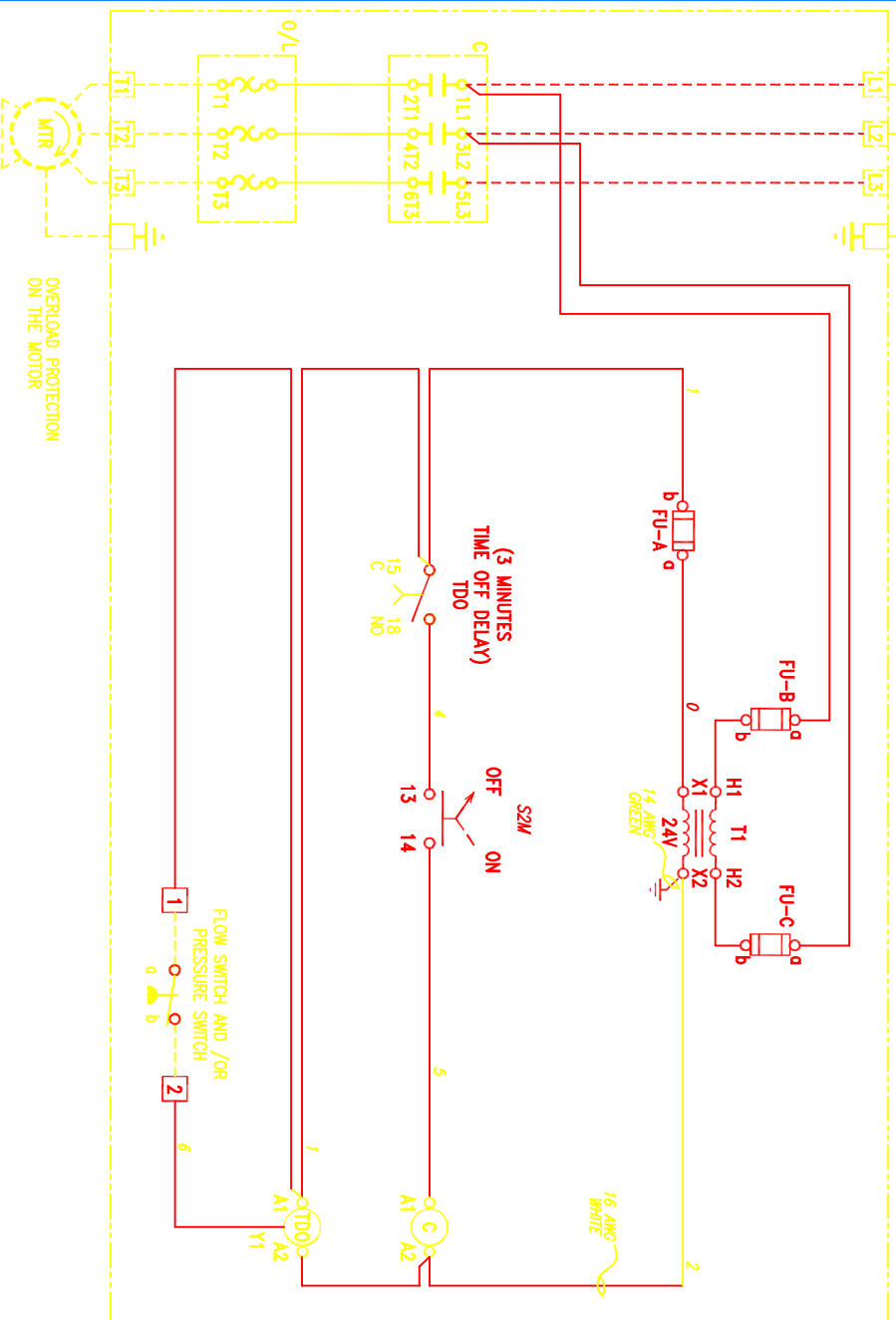
Revision

This document must not be copied without our written permission, and the contents thereof must not be imported to a third party for any unauthorized purpose. Controvention will be prosecuted. ABB

Reference

Revision

FUSED DISCONNECT (BY OTHERS)  
FUSED DISCONNECT MUST BE PROVIDED BY OTHERS AND INSTALLED PER LATEST EDITION OF IEC5084 AND NEC REQUIREMENTS.



**LEGEND:**  
 WIRED BY "ABB".  
 WIRED BY "CUSTOMER" OR "OPTIONAL" WIRING.  
 WIRED BY "CUSTOMER".

- NOTES:**
- 1- TERMINAL WIRING ON REQUEST (OPTIONAL).
  - 2- CONTROL CABLE, TEW 105°C, 16 AWG, RED.
  - 3- POWER CABLE (AC), TEW 105°C, BLACK.
  - 4- ALL DEVICES ARE SHOWN DE-ENERGIZED.
  - 5- OVERLOAD PROTECTION PROVIDED WITH THE MOTOR.

No	Revision	Appl.	Year	Week	Description	Design checked by	Drawing type	Dept.	Year	Week	Drawing No.	Sheet
					TREE-PHASES MAGNETIC STARTER JOHN BROOKS STARTER FULL VOLTAGE / NON-REVERSING 20HP/575V/3PH	O. ALAOUI S. CHAMPAGNE	CONTROL CIRCUIT DIAGRAM	EN	2007	19	E-A26SS2P-AGXS01-B STANDARD	1