

DEMA NORMALLY OPEN SOLENOID VALVES

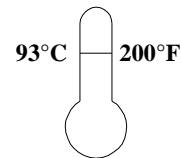
MODELS O453P, O453S INSTALLATION INSTRUCTIONS

LINE STRAINER:

A strainer, with an 80-mesh of finer screen, should be installed in the line ahead of the solenoid valve. This will assure tight seating and reliable closing action.

FLUIDS:

Valves are intended for water, air, light oil, and other noncorrosive fluids. They should *not* be used for gasoline and other hazardous or explosive fluids. Maximum fluid temperature is 200° F (93.3°C). Ambient temperature shall not exceed 120°F (48.8°C).



WARNING: NOT FOR USE WITH HAZARDOUS OR CORROSIVE OR EXPLOSIVE FLUIDS.

INSTALLATION:

DEMA valves may be installed in either horizontal or vertical lines and in any position other than with the coil lower than the body.

ELECTRICAL DATA

AC Watts	AC Volts	Amperes				DC		
		Inrush		Holding		Rated Watts	Volts	AMP
		50 Hz	60 Hz	50 Hz	60 Hz			
15	24	3.7	3.0	1.6	1.2	18	12	1.5
	120	.73	.60	.33	.24		24	.7
	208	.31	.26	.12	.09		32	.6
	240	.36	.30	.16	.12		115	.15

O453P	Brass Bore (No SS Sleeve) SS Piston
O453S	SS Sleeve SS Piston

SERVICING:

1. Failure to close.
 - A. No power to low voltage.
 - B. Open Circuit.
 - C. Burned-out coil (usually due to wrong voltage. See stamping opposite junction box).
 - D. Pressure differential too high (see M.O.P.D. on name plate).
 - E. Moving parts jammed by dirt or damaged solenoid stainless steel tube.
2. Failure to open.
 - A. Coil still energized.
 - B. Moving parts jammed by dirt or damaged solenoid stainless steel tube.

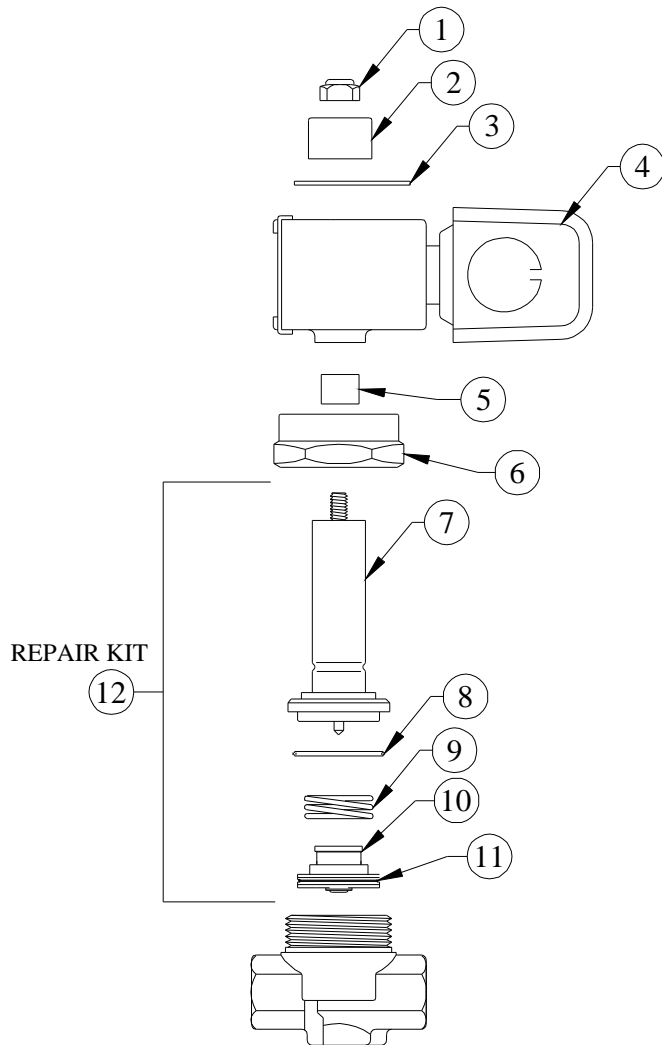
RETURNS: NO MERCHANDISE MAY BE RETURNED FOR CREDIT WITHOUT DEMA'S WRITTEN PERMISSION. RETURN MERCHANDISE AUTHORIZATION NUMBER REQUIRED IN ADVANCE OF RETURN.

WARRANTY: DEMA products are warranted against defective material and workmanship under normal use and service for one year from the date of manufacture. This limited warranty does not apply to any products which have a normal life shorter than one year or failure and damage caused by chemicals, corrosion, improper voltage supply, physical abuse, or misapplication. Rubber and synthetic rubber parts such as "o"-rings, diaphragms, squeeze tubing and gaskets are considered expendable and are not covered under warranty. This warranty is extended only to the original buyer of DEMA products. If products are altered or repaired without prior approval of DEMA, this warranty will be void.

Defective units or parts should be returned to the factory with transportation prepaid. If inspection shows them to be defective, they will be repaired or replaced without charge, F.O.B. factory. DEMA assumes no liability for damages. Return merchandise authorization number, to return units for repair or replacement, must be granted in advance of return.

DEMA NORMALLY OPEN SOLENOID VALVES

MODELS O453P, O453S INSTALLATION INSTRUCTIONS



NO.	PART NO.	DESCRIPTION
1	41-14-3	Top Plug Nut
2	41-22-3	Spacer Cup
3	41-13-18	Name Plate
4	O41-9-2 O41-9C-2	Solenoid Coil (Specify Voltage) Solenoid Coil w/Conduit Boss (Specify Voltage)
5	41-23-4	Spacer
6	41-17-5	Enclosing Tube Locknut
7	41-7-26	Valve Operator Assembly
8	41-5-2	O-Ring, Buna-N (1 x 1 1/8 x 1/16)
9	41-4-1	Closing Spring
10	41-3-5	Piston Assembly w/Ring & Backup Spring
11	41-20-7	Piston Ring Assembly
12	41-58	Repair Kit