

Dynablast[®]

REPLACEMENT PARTS MANUAL HOT WATER PRESSURE WASHERS

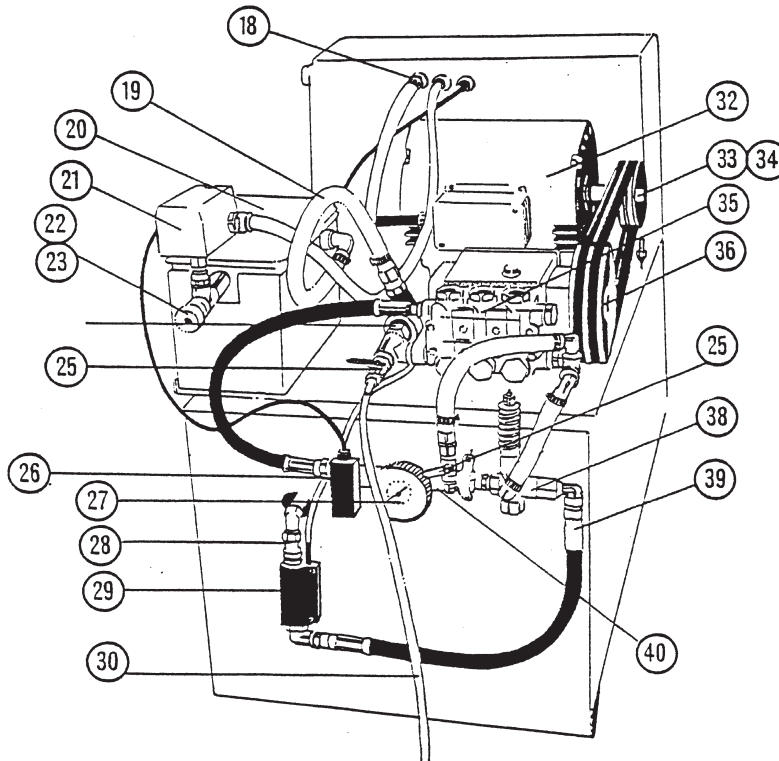
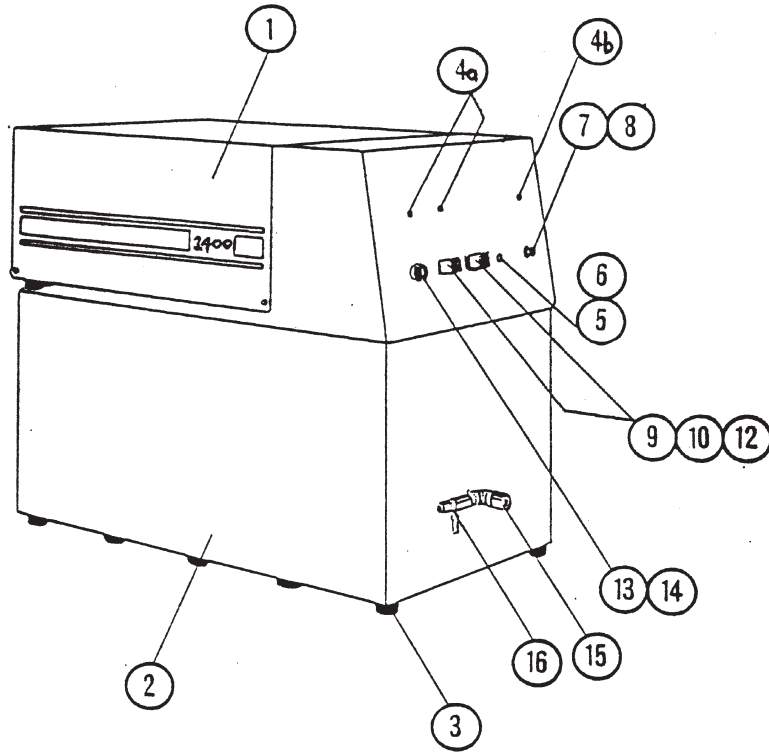


Dynablast Inc.
2625 Meadowpine Blvd.
Mississauga, Ontario L5N 7K5, Canada
1-877-52BLAST (25278) www.dynablast.com

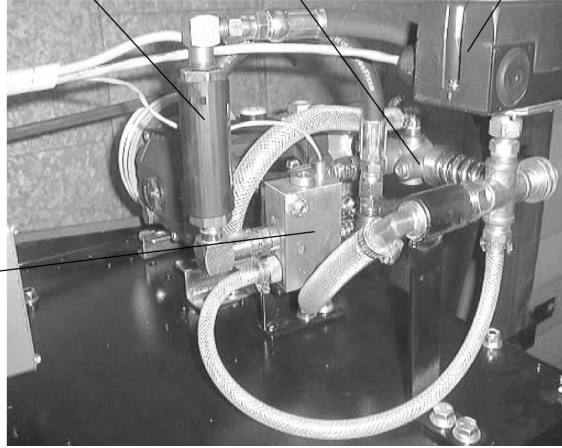
BEE SERIES

ITEM NO.	PART NO.	DESCRIPTION
1	HW24751	Cover
2	HW24757	frame panels
3	HW315-006	rubber feet
4	HW2191L1-24V	red pilot lights
4	HW2191L5-24V	green pilot lights
5	HWGGC5	1 1/4 fuses
6	HW345603	fuse holder
7	HW110PMOFF	reset push button switch
8	HWN3030	push button switch boot
9	HW703701	on/off plate
10	HW1131/26	pump toggle switch boot
12	HWCA201-73	heater toggle switch
13	HWTRV	thermostat
14	HW40034	thermostat knob
15	QC7214	snap coupling
16	SRI	relief valve
18	HW3200	nylon strain relief
19	HWPVC128	PVC bypass hose
20	HW15020	float box
21	HW69WR3	inlet pressure switch
22	HW201-W	cap nut
23	HW22191	cap nut adapter
25	HWCMVL	brass valve chemical
26	HW33396	pressure switch
27	HWHO25FF	pressure gauge (optional)
28	HW66-6-6	swivel coupling
28	HW2501-6-6	3/8 FP X 3/8 JIC elbox
29	HWST5	flow switch
30	HWJFT64	1/4" soapline tubing
32	M3311T-5	7.5 HP motor - 3PH/575V
32	M3311T	7.5 HP motor - 3PH/460V
33	HW2AK30	motor pulley - 7.5 HP
35	TS2011BN	Pump
36	HW2AK49QT	Pump Pulley
38	UVP1060H	Unloader
39	HWA48LD18	18" coil to panel hose
40	HW27570	manifold

ITEM NO.	PART NO.	DESCRIPTION
41	HW45DG10AJ	reset contactor & flow switch contactor
42	HWS1210	motor starter
43	HWT9EI	overload relay
44	HWATDR15	motor circuit fuses
45	HW42GE35AJ	heater contactor
46	HWCT1S12	delay timer
47	HW45EG20AJ	thermostat contactor
48	HW1492-CA1	terminal blocks
49	HWMH50AG	600/24 volt transformer
50	HW40176/40174	heater coil (outer)
51	HW40173/40171	heater coil (inner)
52	HW2807-6-14	heater hoses 14"
52	HW2807-6-18	heater hose 18"
52	HW2807-6-36	heater hose 36"
54	HWTRV	high limit switch
55	HW50760	fuseable plug
56	HW40096	thermostat well bushing
57	HW27570	manifold
58	HW50	Hose 50'
59	QC7218	Female hose fitting
60	QC7195	Male hose fitting
61	QC7214	Quick connect
62	Z12	Lance
63	G250VA	Gun
Not shown	QCMEG00045	QC red
Not shown	QCMEG15045	QC yellow
Not shown	QCMEG25045	QC green

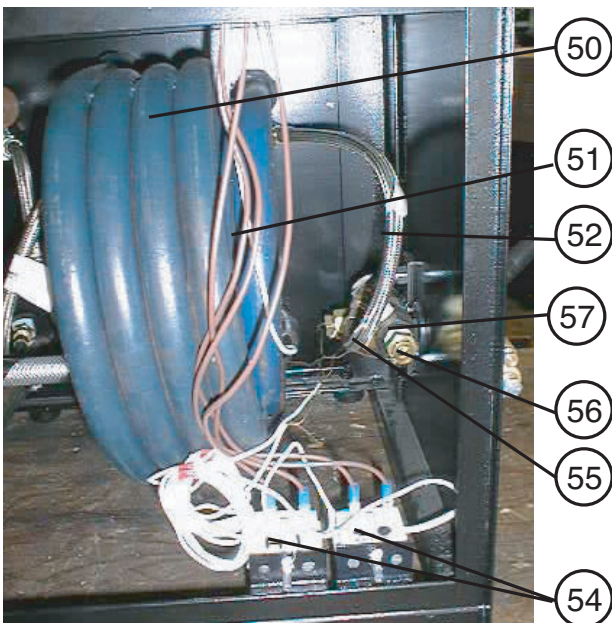
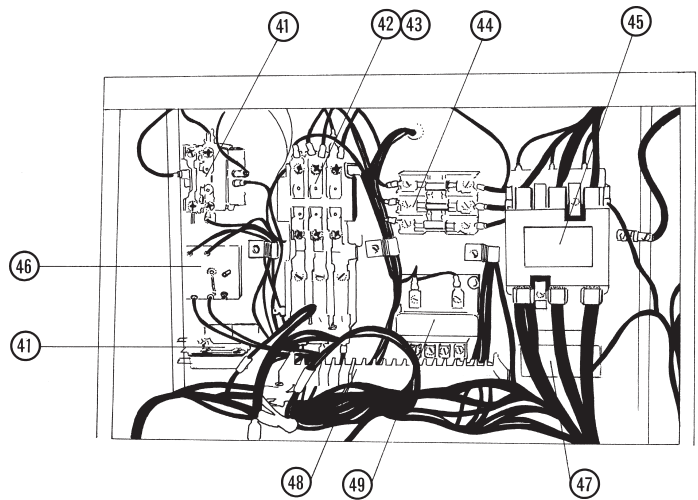


- (29) HWST5 Flow Switch
- (38) UVP1060H Unloader Valve
- (21) HW69WR3 Pressure Switch



HW10312PV Flow Switch

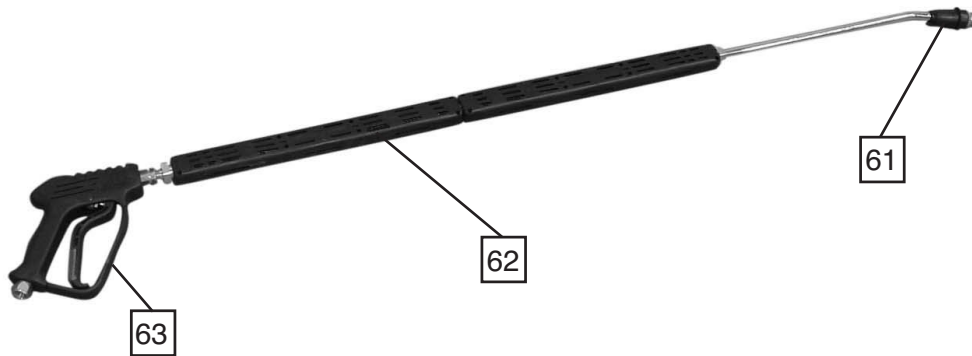
HW24766 Switch Bracket

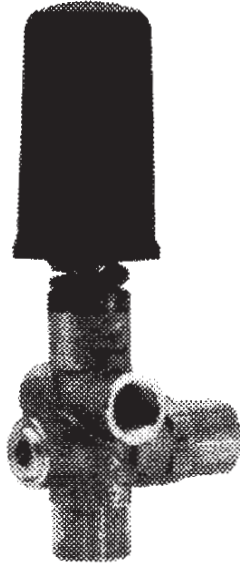


50FT HOSE



GUN AND WAND





UNLOADER VALVE

Trapped pressure type unloader.

SPECIFICATIONS

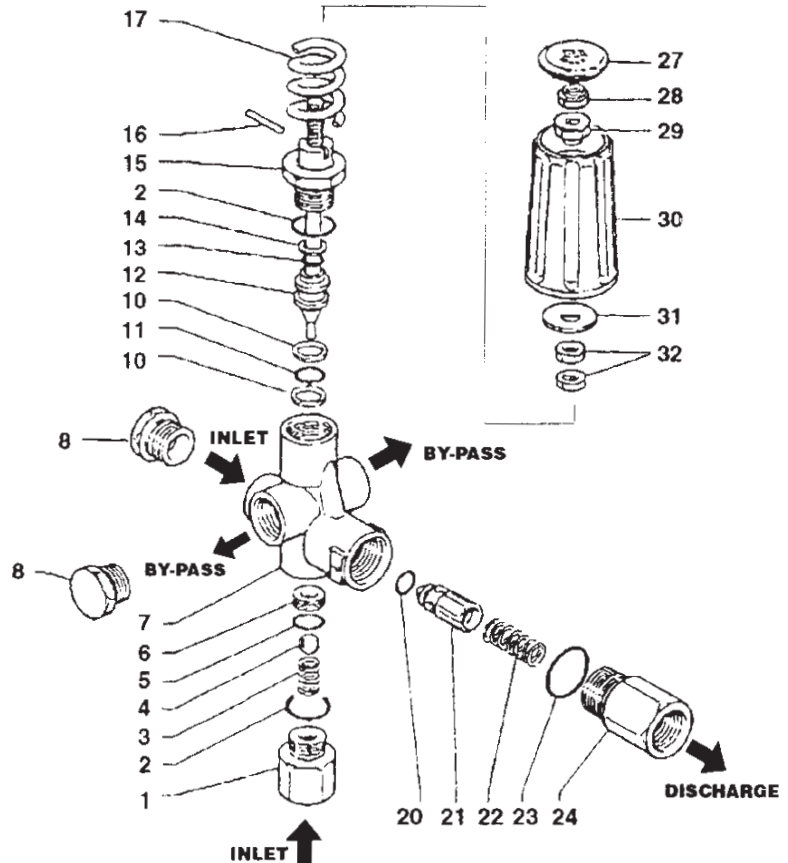
Part Number	UVP1060H	
Maximum Volume	7.8 GPM	
Maximum Discharge Pressure	4000 PSI	
Maximum Temperature	194°F	
Port Size	Inlet:	3/8 NPT-F
	Discharge	3/8 NPT-F
	Bypass	3/8 NPT-F
Dimensions	7.12 x 3.2 x 2.3 in.	
Weight	1.6 lb.	
Material	Brass, Stainless Steel, Buna-N	

General Pump recommends using a safety relief device in conjunction with this unloader valve when installed on a positive displacement pump. General Pump is not liable and assumes no responsibility for this valve when used in a customer's high pressure system.

PARTS LIST

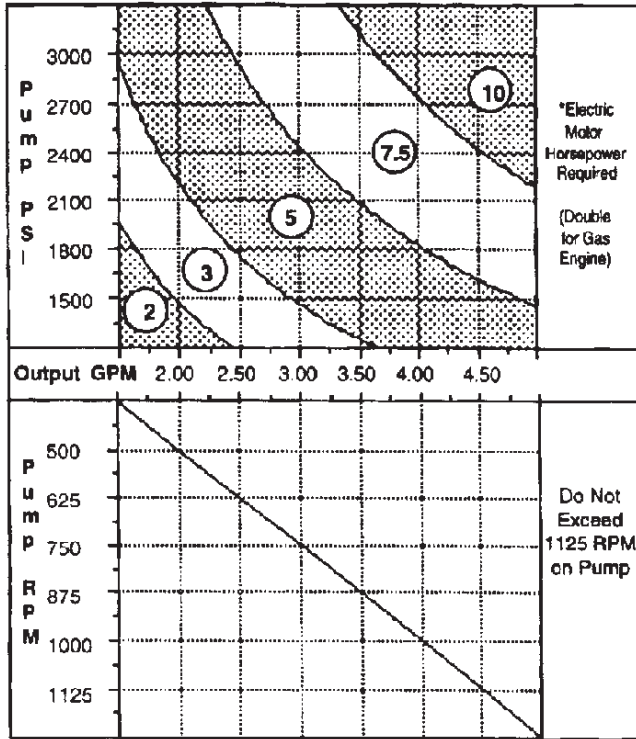
PULSAR3 – Y60.0006.80
UNLOADER VALVE

No.	Part No.	Description	Qty.
1.	Y60.0030.31	Inlet Fitting, 3/8 NPT-F	1
2.	Y10.3068.00	O-ring, .676 ID x .070 CS	2
3.	Y60.0015.51	Ball Spring	1
4.	Y14.7461.00	SS Ball, 13/32	1
5.	Y10.3059.01	O-Ring, .437 ID x .070 CS	1
6.	Y60.0254.51	SS Seat, .551 OD x .335 ID	1
7.	Y60.0057.35	Brass Body, 3/8 NPT	1
8.	Y60.0025.31	Plug, 3/8 NPT	2
10.	Y10.4021.00	Backup Ring	2
11.	Y10.3175.08	O-Ring, .424 ID x .103 CS	1
12.	Y60.0061.23	SS Piston	1
13.	Y10.3170.08	O-ring, .299 ID x .103 CS	1
14.	Y10.4020.00	Backup Ring	1
15.	Y60.0064.31	Piston Housing	1
16.	Y15.1021.00	Locking Pin	1
17.	Y60.0033.61	Blue Spring	1
20.	Y10.3213.08	O-ring, .236 ID x .118 CS	1
21.	Y60.0052.31	Check Valve	1
22.	Y60.0053.51	SS Spring	1
23.	Y10.3070.02	O-ring, .739 ID x .070 CS	1
24.	Y60.0059.31	Outlet Fitting, 3/8 NPT-F	1
27.	Y60.0002.84	Plastic Plug for Knob	1
28.	Y11.4589.10	Zinc Nut, M8	1
29.	Y60.0001.31	Insert M8	1
30.	Y60.0003.84	Plastic Knob	1
31.	Y14.3720.40	Washer, 9mm x 24mm	1
32.	Y11.4573.31	Brass Nut, M8	2



MAXIMUM PERFORMANCE: 4.5 GPM @ 3000 PSI @ 1125 RPM

APPLICATION DATA



Example: (You require 4.0 GPM @ 3000 PSI.) 4.0 GPM and 3000 PSI lines cross within 10 HP motor band (required motor HP). Follow 4.0 GPM vertical line down to diagonal line in lower chart, then left to 1000 RPM (required pump RPM).

LUBRICATION Fill crankcase to dot on oil gauge window per specifications with General Pump Series 100 oil. Change oil after 40-hour break-in period. Change oil every three months or at 500 hour intervals thereafter.

SPECIFICATIONS

Max. Volume	4.5 GPM
Max. Discharge Pressure	3000 PSI
Max. Inlet Pressure	125 PSI
Max. Inlet Vacuum Ft. Water (in. Hg)	9 (7.9)
Max. Pump Speed	1125 RPM
Bore	.787 in. (20 mm)
Stroke	.630 in. (16 mm)
Crankcase Capacity Use General Pump Series 100 Oil	40.6 oz.
Max. Fluid Temperature	165° F
Inlet Port Thread	1/2-14 BSPP - F
Discharge Port Thread	3/8-19 BSPP - F
Shaft Diameter	.945 in. (24 mm)
Weight	32.0 lb.
Dimensions	12.2 x 9.2 x 6.9 in.

WARRANTY

The following statement is intended to assist our customers in understanding the terms of our warranty, the circumstances under which we will honor claims, and the procedure for making such claims.

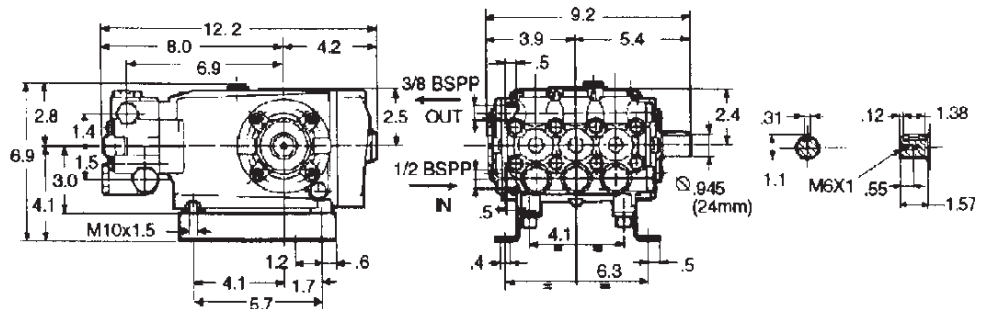
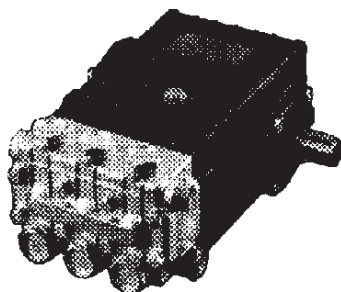
General Pump/US warrants each pump manufactured by General Pump/US to be free of defects in material or workmanship for a period of five (5) years from the date of shipment. In addition, General Pump/US warrants all forged brass pump manifolds to be free of defects in material and workmanship and from damage resulting from freezing for the life of the pump. Liability under this warranty is on all non-wear parts and limited to the repair or replacement of any pump returned to General Pump/US which upon inspection, is judged to be defective due to workmanship or material failure. Accessories have a 90 day warranty against defects in material and workmanship. Any product returned to General Pump should be shipped freight prepaid to General Pump - 1174 Northland Drive, Mendota Heights, MN 55120 - and must display a Return Authorization Number obtained from General Pump's Customer Service Department (612)454-6500, FAX 1-800-535-1745. General Pump/US agrees to be responsible for return shipping costs on any approved warranty repair or replacement utilizing a carrier of our choice.

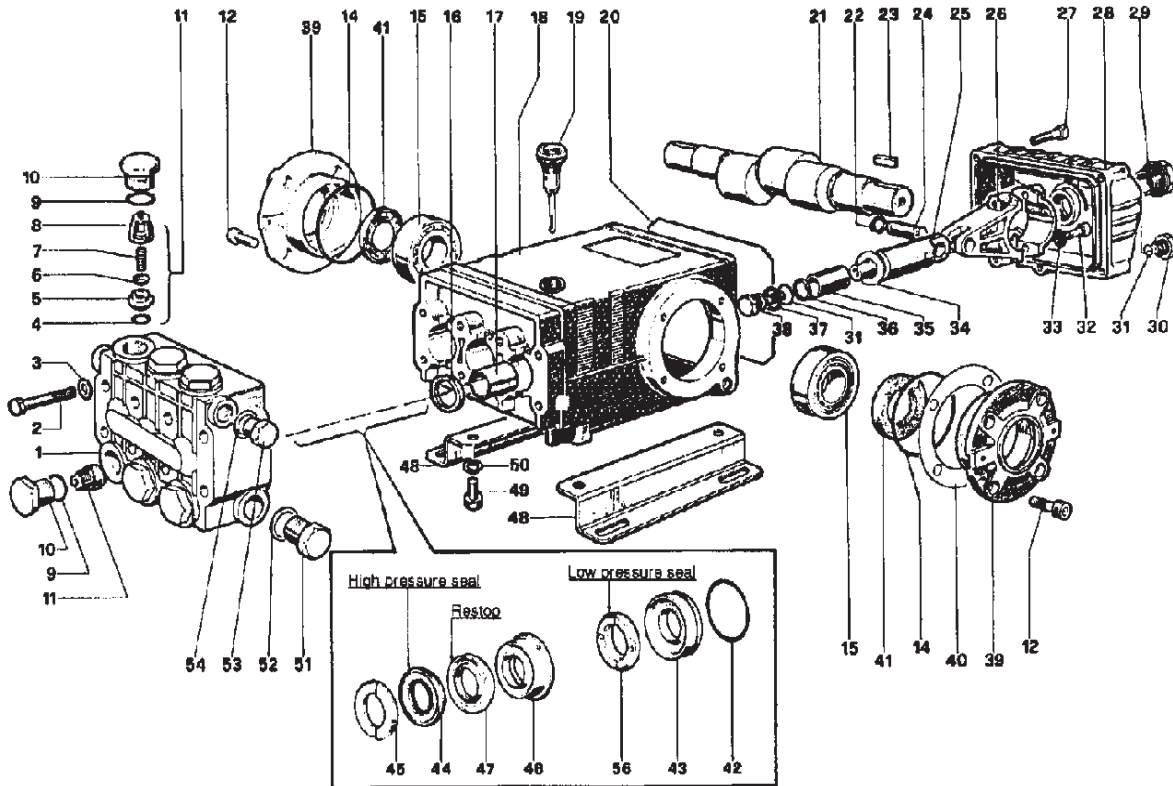
In the course of marketing or servicing the customer or potential customer's needs, General Pump/US will use its best judgement in its recommendations. However, the ultimate responsibility for product application decisions shall rest with the customer. The sole and only warranty made by General Pump/US is the limited warranty described above. General Pump/US makes no other warranty or warranties of any kind, express or implied, including any implied warranty of merchantability or of fitness for a particular use or purpose. General Pump/US disclaims and denies any liability for any direct, indirect, special, incidental or consequential damages which may be suffered as a result of sale, delivery, servicing, use, loss of any product, downtime, labor, freight or other charges not expressly included herein. The only liability and the total liability of General Pump/US under this limited warranty or in any claim regarding or involving General Pump/US is expressly limited to the replacement of or purchase price of the product.

The following items are not warranted, due to matters beyond General Pump/US control: 1) Normal wear and tear to parts that are considered standard wear parts; 2) Defects caused by the fault or negligence of the buyer or third party; 3) Use of unauthorized repair parts; or 4) modifications made by the customer. Call customer service if any other questions arise.

This supersedes and replaces non-dated warranties or previously dated warranties (1/10/94).

DIMENSIONAL DRAWING





PARTS LIST

ITEM	PART NO.	DESCRIPTION	KIT NO.	QTY.	ITEM	PART NO.	DESCRIPTION	KIT NO.	QTY.	ITEM	PART NO.	DESCRIPTION	KIT NO.	QTY.
1.	47.1209.41	Head, Pump	1	1	20.	90.3922.00	Cover, O-Ring	1	1	38.	47.2195.66	Screw, Piston	6	3
2.	99.3206.00	Screw, M8 x 70	8	8	21.	47.0217.35	Crankshaft	1	1	39.	47.1500.22	Cover, Crankcase	1	1
3.	96.7020.00	Washer, M8.4	8	8	22.	90.0557.00	Ring, Snap	6	6	40.	97.5678.00	Shim	2	2
4.	90.3841.00	O-Ring, .674 x .103	1	6	23.	91.4890.00	Key	1	1	41.	90.1648.00	Seal, Oil	3	1
5.	36.2003.66	Seat, Valve	1	6	24.	97.7380.00	Pin, Wrist	3	3	42.	90.3616.00	O-Ring, 1.364 x .070	10, 28	3
5.	36.2001.76	Plate, Valve	1	6	25.	47.0503.56	Guide, Piston	3	3	43.	47.0805.70	Retainer, Packing	10, 28	3
7.	94.7376.00	Spring	1	6	26.	47.0300.01	Rod, Connecting	3	3	44.	90.2705.00	Packing	28, 69	3
8.	36.2002.51	Guide, Valve	1	6	27.	99.1912.00	Screw, M6 x 30	5	5	45.	47.1000.51	Ring, Head, M20	7, 28	3
9.	90.5847.00	O-Ring, .797 x .103	5	6	28.	47.1601.22	Cover, Crankcase	1	1	46.	47.2169.70	Intermed. Ring	28, 71	3
10.	98.2222.00	Cap	5	6	29.	97.5968.00	Oil indicator	1	1	47.	90.2704.00	Restop Ring	28, 69, 71	3
11.	36.7032.01	Valve Assembly	1	6	30.	98.2041.00	Cap	1	1	48.	47.2000.74	Pump Feet	2	2
12.	99.3039.00	Screw, M8 x 16	8	8	31.	90.3585.00	O-Ring, .426 x .070	6	4	49.	99.3644.00	Screw, M10 x 18	4	4
14.	90.3913.00	O-Ring, 2.675 x .103	2	2	32.	99.3099.00	Screw, M8 x 35	6	6	50.	96.7108.00	Washer, M10.2	4	4
15.	91.8375.00	Bearing, Roller	2	2	33.	96.7014.00	Washer, M8.4	6	6	51.	98.2176.00	Cap	1	1
16.	90.1625.00	Seal, Oil	2	3	34.	96.7286.00	Washer, M14	6	3	52.	96.7514.00	Washer, M21.5	1	1
17.	90.9126.00	Bushing	3	3	35.	47.0404.09	Piston, (20 mm)	3	3	53.	98.2100.00	Cap	1	1
18.	47.0104.22	Crankcase	1	1	36.	90.5067.00	Ring, Back-up	6	3	54.	96.7380.00	Washer, M17.5	1	1
19.	98.2106.00	Oil Dip Stick	1	1	37.	96.7280.00	Washer	6	3	56.	90.2710.00	Seal, Low Press., 20mm	28, 69	3

REPAIR KITS

KIT NO.	1	2	3	5	6	7	10	28	69	71
ITEM NO'S INCLUDED IN KIT	4, 5, 8, 7, 8 (11)	16	41	9, 10	31, 34, 36, 37, 38	45	42, 43	42, 43, 44, 45, 46, 47, 56	44, 47, 56	46, 47
NUMBER OF ASSEMBLIES IN KIT	6	3	2	6	3	6	3	1	3	3
NUMBER OF CYLINDERS KIT WILL SERVICE	3	3	-	3	3	3	3	1	3	3

TORQUE SPECS*

Position	Ft.-lbs.
2	22.1
10	73.7
12	14.7
27	7.3
29	13.2
30	14.7
32	14.7
38	14.7
49	29.4
51	29.4
53	29.4

*Decrease torque by 20% if threads are lubricated